

CTI

Industrial Control Solutions

1201-RB



a commitment to intergrated engineering & design

Cyber-Tech, Inc.
7943 SW Cirrus Dr
Beaverton, Oregon 97008

www.cyber-tech.net

PO Box 23801
Portland, Oregon 97281

1.800.621.8754

503.620.2285

Fax 503.620.8580

1201-RB HANDY-GRIP®

2 Rocker, 2 Pushbutton w/Caps

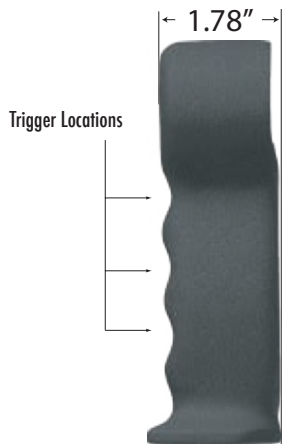


Product shown without cable harness for clarity

GENERAL DIMENSIONS



1/2 NPT
Mounting Thread



Product shown without switches for clarity

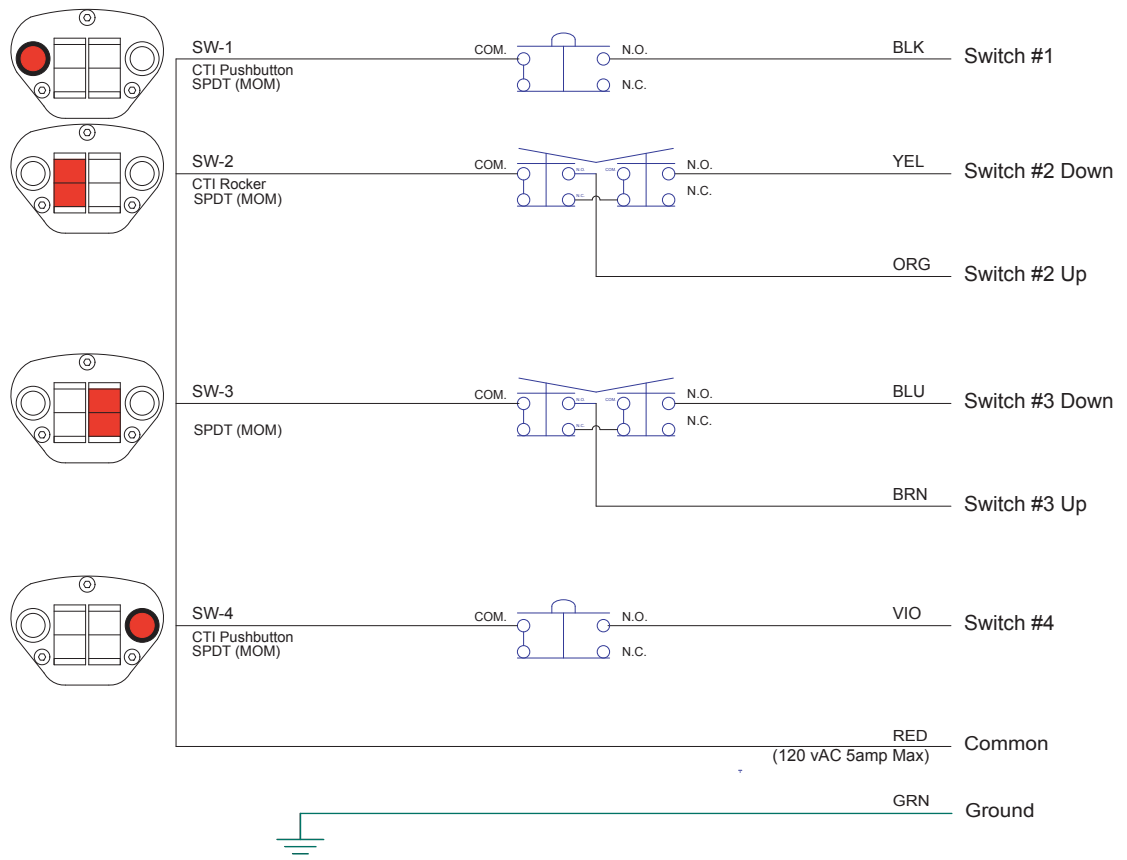
Control Unit Features:

- Switches 1,4: SPDT Mom Pushbutton Switch With Red Seal Caps
- Switches 2,3: SPDT Mom Rocker Switch With Red Seal Caps
- Standard CTI Overlay
- 10 Ft Cable
- 1/2 NPT Mounting Thread With Locking Setscrew

General Information:

- Control Handle Material: Aluminum
- Finish: Black Powder Coat
- Faceplate Material: Aluminum - 5052
- Overlay Material: Polycarbonate
- Temperature Range: -55°C to +85°C at rated current
- CTI Switch Life Cycles: 10,000,000
- Current Rating: 5 amps @ 120vAC

CTI PART# : CTI-2021259



CAUTION:
Metal Handle MUST Be Grounded For Safe Operation!

Spare Replacment Components For Part # **CTI-2021259**

- Handle Part #: **69-A80431-01**
- Faceplate: **65-A30323-11**
- Switches 1,4: **32-P-A60215-01**
- Seals 1,4: **76-010321-01**
- Switches 2,3: **32-R-922190-01**
- Seals 2,3: **76-010235-01**

Cable Harness: **22-C-NQ920-J-11**



1201-RB HANDY-GRIP®

2 Rocker, 2 Pushbutton + Trigger w/Caps

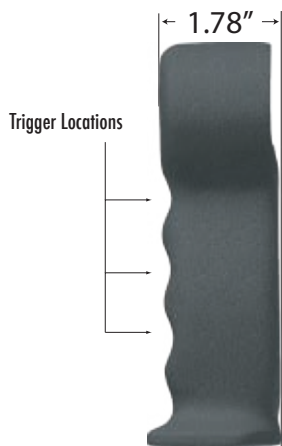


Product shown without cable harness for clarity

GENERAL DIMENSIONS



1/2 NPT
Mounting Thread



Product shown without switches for clarity

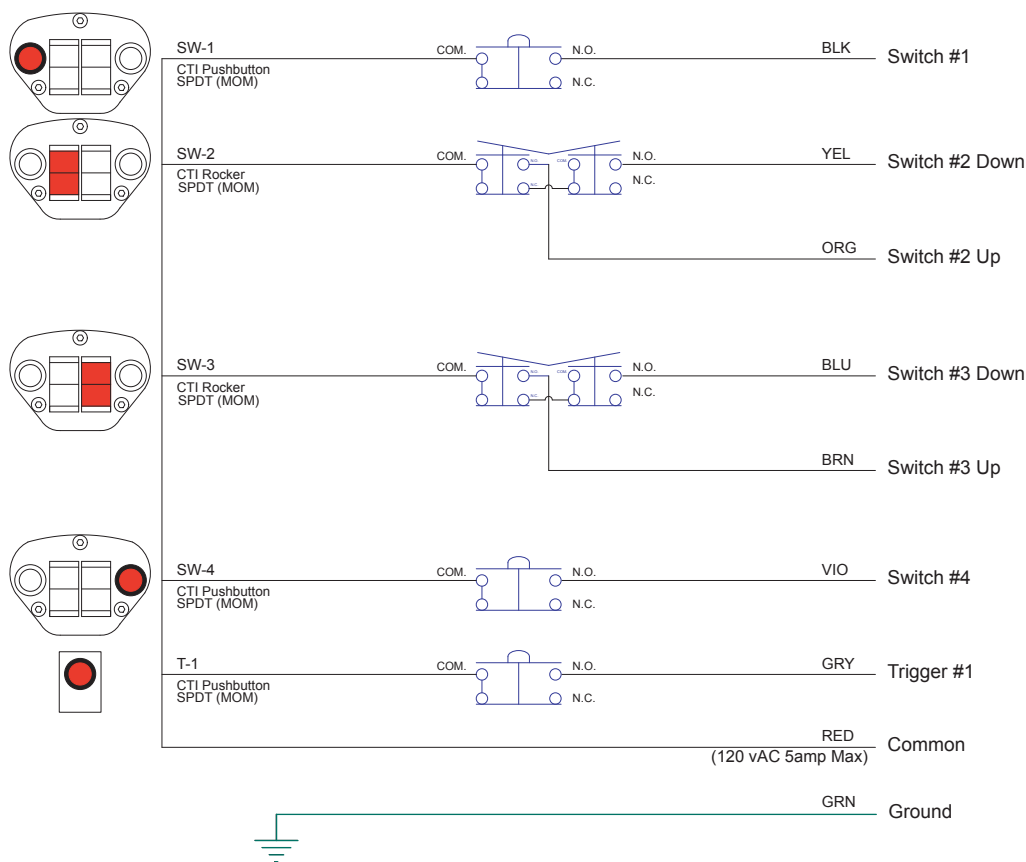
Control Unit Features:

Switches 1,4: SPDT Mom Pushbutton Switch With Red Seal Caps
 Switches 2,3: SPDT Mom Rocker Switch With Red Seal Caps
 Trigger 1: SPDT Mom Pushbutton Switch With Red Seal Cap
 Standard CTI Overlay
 10 Ft Cable
 1/2 NPT Mounting Thread With Locking Setscrew

General Information:

Control Handle Material: Aluminum
 Finish: Black Powder Coat
 Faceplate Material: Aluminum - 5052
 Overlay Material: Polycarbonate
 Temperature Range: -55°C to +85°C at rated current
 CTI Switch Life Cycles: 10,000,000
 Current Rating: 5 amps @ 120vAC

CTI PART# : CTI-2021260



CAUTION:
Metal Handle MUST Be Grounded For Safe Operation!

Spare Replacment Components For Part # **CTI-2021260**

Handle Part #: **69-960104-01**
 Faceplate: **65-A30323-11**
 Switches 1,4: **32-P-A60215-01**
 Seals 1,4: **76-010321-01**
 Switches 2,3: **32-R-922190-01**
 Seals 2,3: **76-010235-01**

Trigger 1 Switch: **32-P-A60215-01**
 Trigger 1 Seal: **76-010321-01**
 Cable Harness: **22-C-NQ920-J-11**



1201-RB HANDY-GRIP

2 Rocker, 2 Pushbutton + 2 Triggers w/Caps

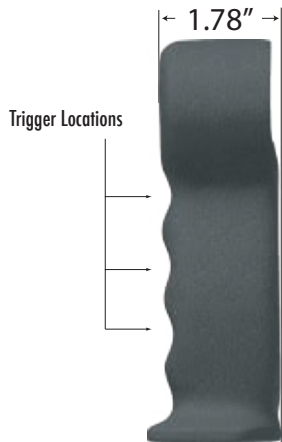


Product shown without cable harness for clarity

GENERAL DIMENSIONS



1/2 NPT
Mounting Thread



Product shown without switches for clarity

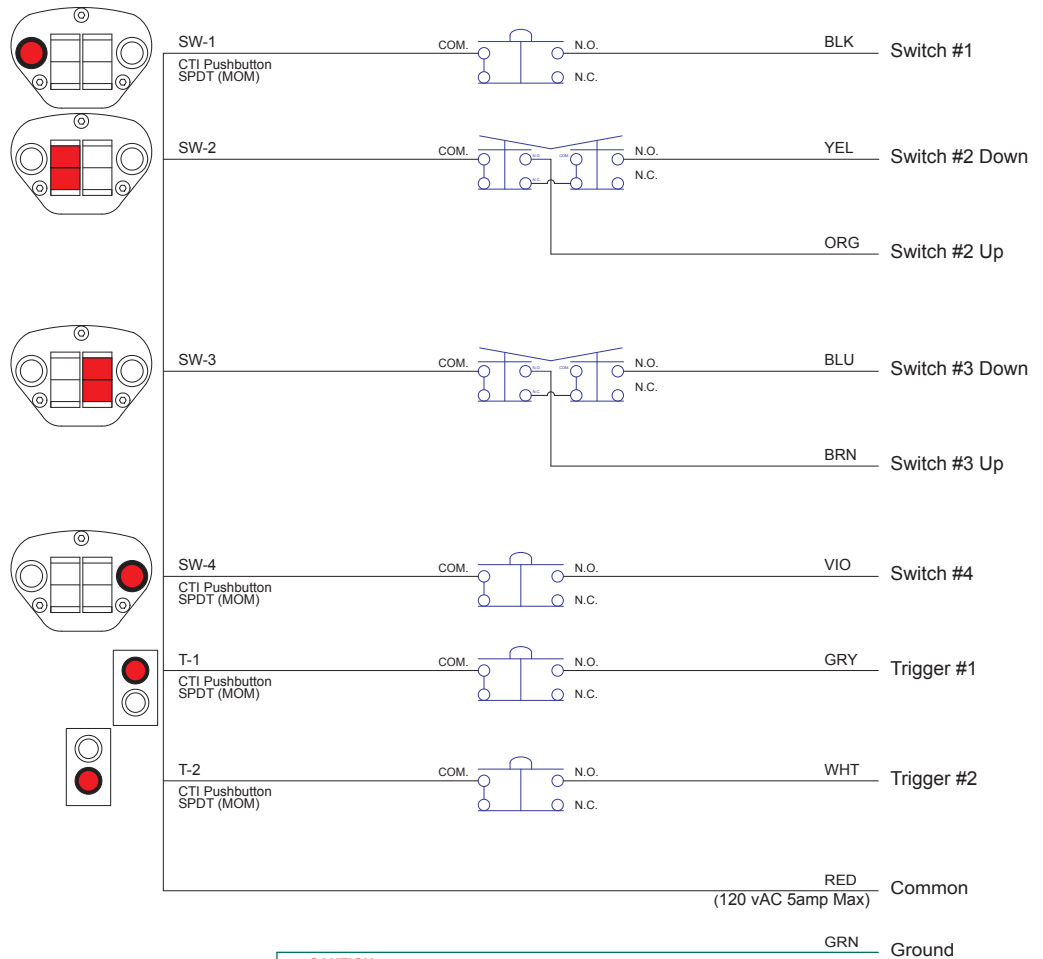
Control Unit Features:

Switches 1,4: SPDT Mom Pushbutton Switch With Red Seal Caps
 Switches 2,3: SPDT Mom Rocker Switch With Red Seal Caps
 Triggers 1-2: SPDT Mom Pushbutton Switch With Red Seal Cap
 Standard CTI Overlay
 10 Ft Cable
 1/2 NPT Mounting Thread With Locking Setscrew

General Information:

Control Handle Material: Aluminum
 Finish: Black Powder Coat
 Faceplate Material: Aluminum - 5052
 Overlay Material: Polycarbonate
 Temperature Range: -55°C to +85°C at rated current
 CTI Switch Life Cycles: 10,000,000
 Current Rating: 5 amps @ 120vAC

CTI PART# : CTI-2021261



CAUTION:
 Metal Handle **MUST** Be Grounded For Safe Operation!

Spare Replacement Components For Part # **CTI-2021261**

Handle Part #: **69-960105-01**
 Faceplate: **65-A30323-11**
 Switches 1,4: **32-P-A60215-01**
 Seals 1,4: **76-010321-01**
 Switches 2,3: **32-R-922190-01**
 Seals 2,3: **76-010235-01**

Triggers 1-2: **32-P-A60215-01**
 Trigger Seals 1-2: **76-010235-01**
 Cable Harness: **22-C-NQ1020-11**

Document Date: 05-12-2005



1201-RB HANDY-GRIP®

2 Rocker, 2 Pushbutton + 3 Trigger w/Caps

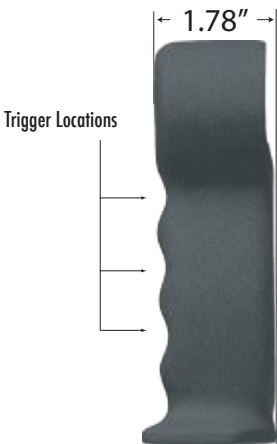


Product shown without cable harness for clarity

GENERAL DIMENSIONS



1/2 NPT
Mounting Thread



Product shown without switches for clarity

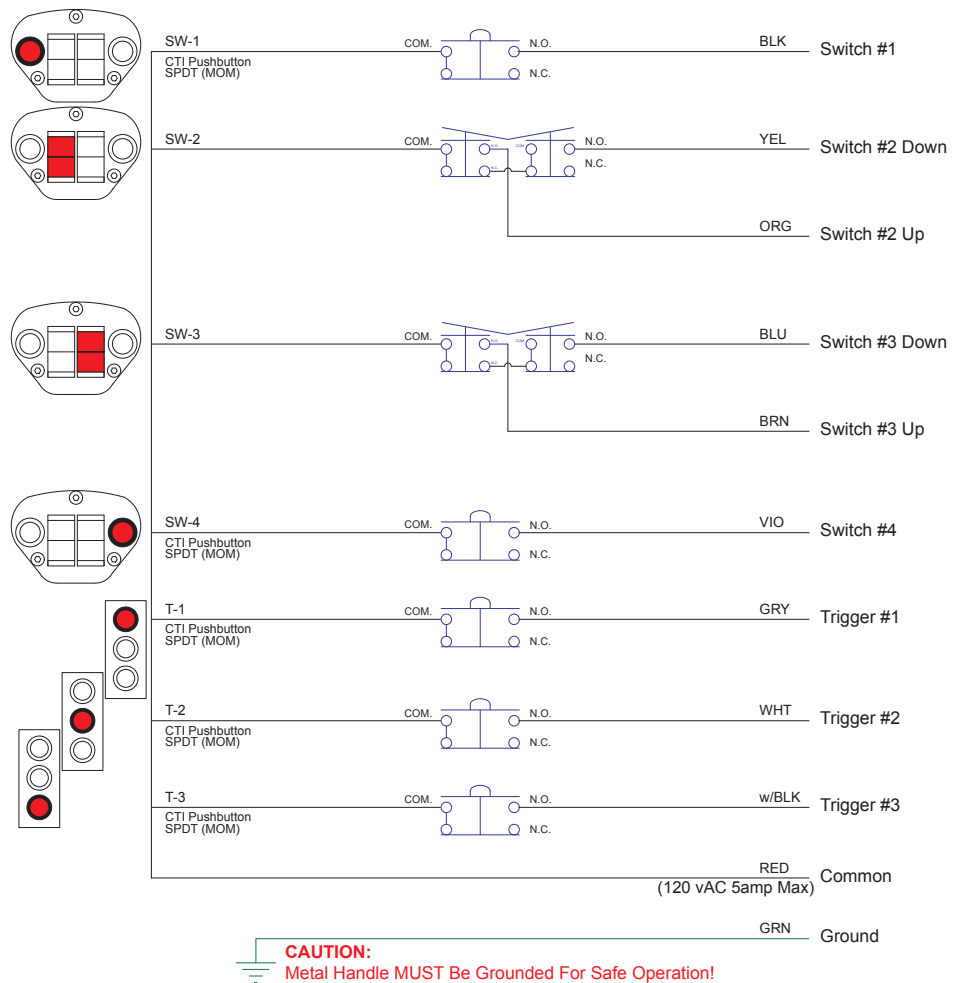
Control Unit Features:

- Switches 1,4: SPDT Mom Pushbutton Switch With Red Seal Caps
- Switches 2,3: SPDT Mom Rocker Switch With Red Seal Caps
- Trigger 1-3: SPDT Mom Pushbutton Switch With Red Seal Cap
- Standard CTI Overlay
- 10 Ft Cable
- 1/2 NPT Mounting Thread With Locking Setscrew

General Information:

- Control Handle Material: Aluminum
- Finish: Black Powder Coat
- Faceplate Material: Aluminum - 5052
- Overlay Material: Polycarbonate
- Temperature Range: -55°C to +85°C at rated current
- CTI Switch Life Cycles: 10,000,000
- Current Rating: 5 amps @ 120vAC

CTI PART# : CTI-2021262



Spare Replacment Components For Part # **CTI-2021262**

- Handle Part #: **69-960106-01**
- Faceplate: **65-A30323-11**
- Switches 1,4: **32-P-A960215-01**
- Seals 1,4: **76-010321-01**
- Switches 2,3: **32-R-922190-01**

- Seals 2,3: **76-010235-01**
- Trigger 1-3 Switch: **32-P-A60215-01**
- Trigger 1-3 Seal: **76-010321-01**
- Cable Harness: **76-CA-NQ1520-J-11**



1201-RB HANDY-GRIP

6 Pushbutton w/Boots

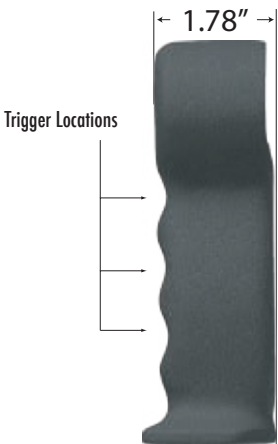


Product shown without cable harness for clarity

GENERAL DIMENSIONS



1/2 NPT
Mounting Thread



Product shown without switches for clarity

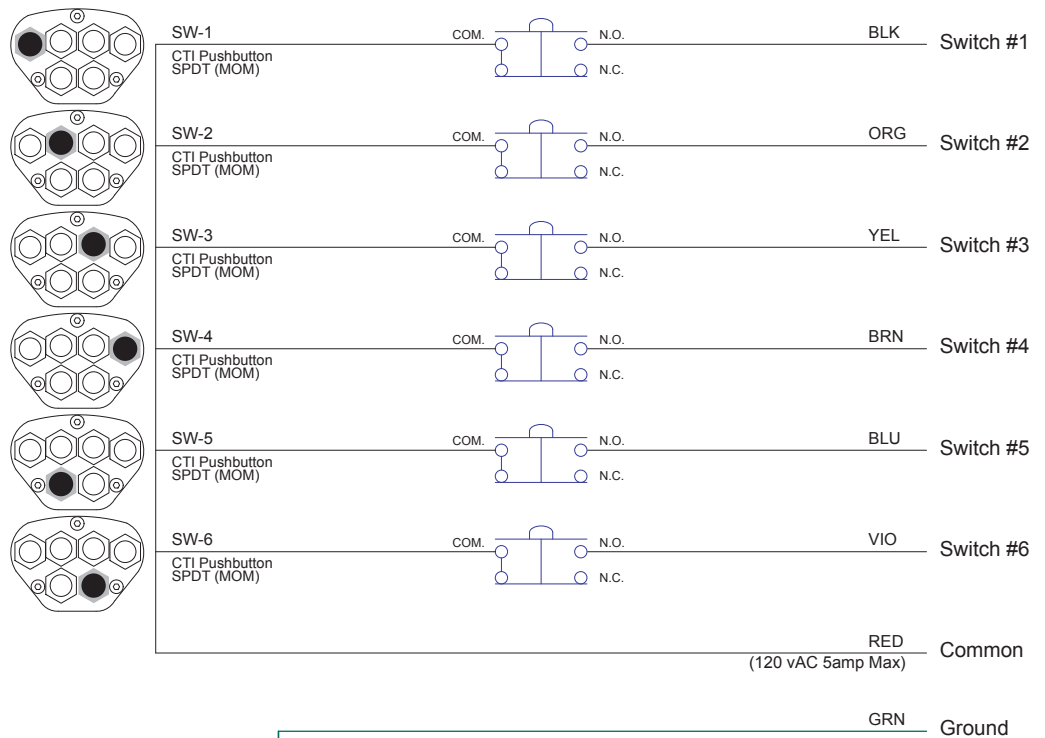
Control Unit Features:

Switches 1- 6: SPDT Mom Pushbutton Switch With Black/Chrome Seal Boots
Standard CTI Overlay
10 Ft Cable
1/2 NPT Mounting Thread With Locking Setscrew

General Information:

Control Handle Material: Aluminum
Finish: Black Powder Coat
Faceplate Material: Aluminum - 5052
Overlay Material: Polycarbonate
Temperature Range: -55°C to +85°C at rated current
CTI Switch Life Cycles: 10,000,000
Current Rating: 5 amps @ 120vAC

CTI PART# : CTI-2021251



CAUTION:
Metal Handle MUST Be Grounded For Safe Operation!

Spare Replacment Components For Part # **CTI-2021251**

Handle Part #: **69-A80431-01**
Faceplate: **65-A30323-07**
Switches 1-6: **32-P-A60215-01**
Seals 1- 6: **33-BPB-589**
Cable Harness: **22-C-NQ920-J-11**



1201-RB HANDY-GRIP®

6 Pushbutton w/Caps



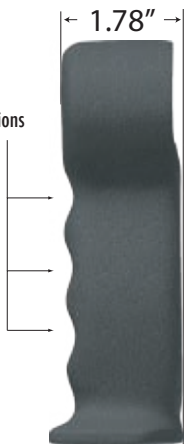
Product shown without cable harness for clarity

GENERAL DIMENSIONS



1/2 NPT
Mounting Thread

Trigger Locations



Product shown without switches for clarity

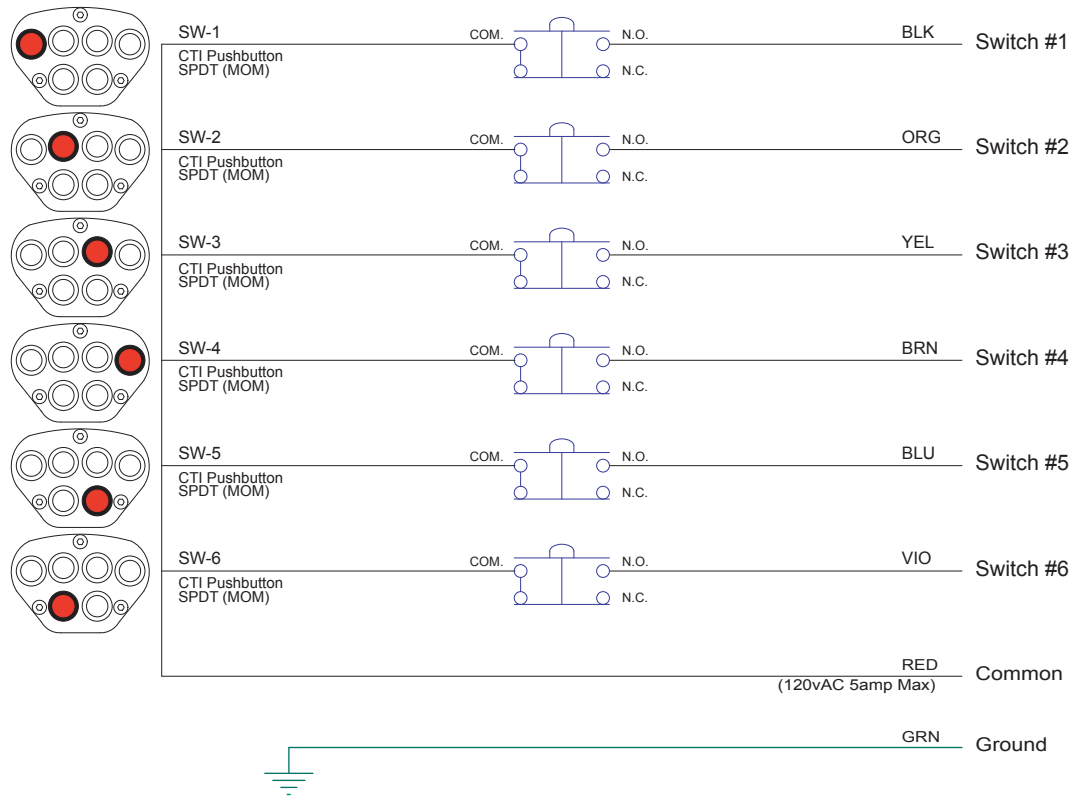
Control Unit Features:

Switches 1- 6: SPDT Mom Pushbutton Switch With Red Seal Caps
Standard CTI Overlay
10 Ft Cable
1/2 NPT Mounting Thread With Locking Setscrew

General Information:

Control Handle Material: Aluminum
Finish: Black Powder Coat
Faceplate Material: Aluminum - 5052
Overlay Material: Polycarbonate
Temperature Range: -55°C to +85°C at rated current
CTI Switch Life Cycles: 10,000,000
Current Rating: 5 amps @ 120vAC

CTI PART# : CTI-2021255



CAUTION:
Metal Handle MUST Be Grounded For Safe Operation!

Spare Replacment Components For Part # **CTI-2021255**

Handle Part #: **69-A80431-01**
Faceplate: **65-A30323-07**
Switches 1-6: **32-P-A60215-01**
Seals 1- 6: **76-010321-01**
Cable Harness: **22-C-NQ920-J-11**



1201-RB HANDY-GRIP

6 Pushbutton + Trigger w/Boots

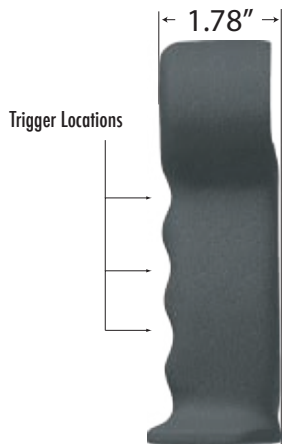


Product shown without cable harness for clarity

GENERAL DIMENSIONS



1/2 NPT
Mounting Thread



Product shown without switches for clarity

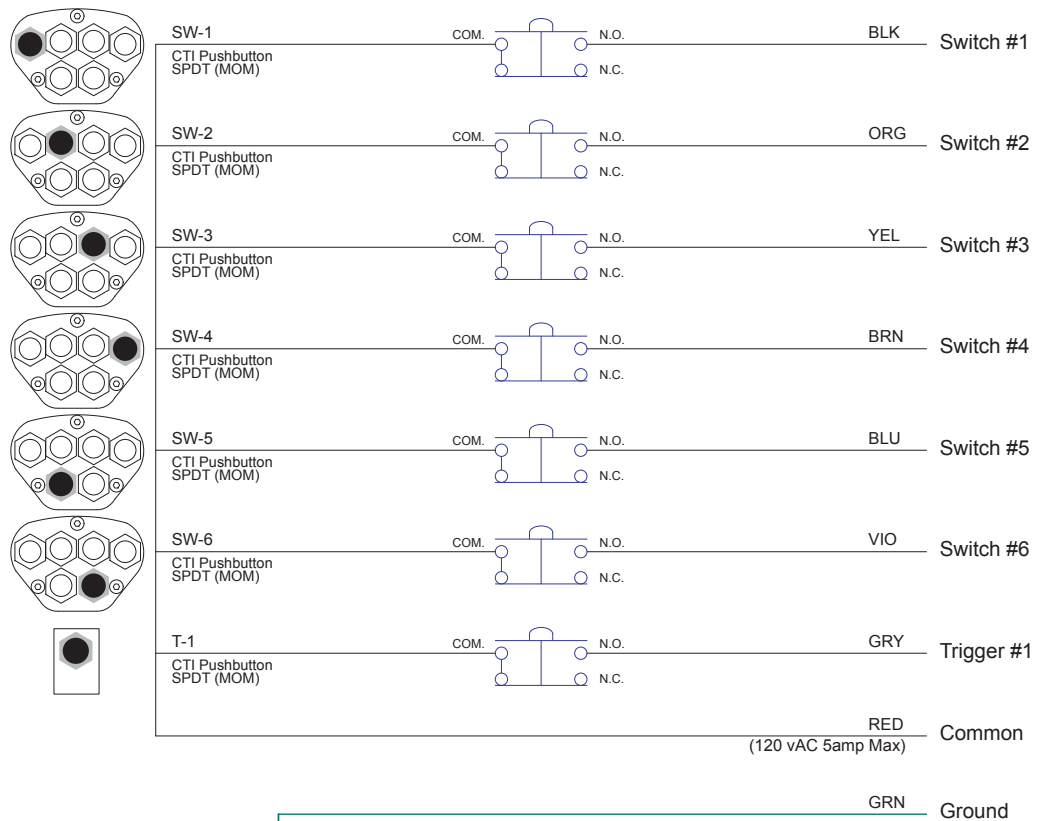
Control Unit Features:

Switches 1- 6: SPDT Mom Pushbutton Switch With Black/Chrome Seal Boots
 Trigger 1: SPDT Mom Pushbutton Switch With Black/Chrome Seal Boots
 Standard CTI Overlay
 10 Ft Cable
 1/2 NPT Mounting Thread With Locking Setscrew

General Information:

Control Handle Material: Aluminum
 Finish: Black Powder Coat
 Faceplate Material: Aluminum - 5052
 Overlay Material: Polycarbonate
 Temperature Range: -55°C to +85°C at rated current
 CTI Switch Life Cycles: 10,000,000
 Current Rating: 5 amps @ 120vAC

CTI PART# : CTI-2021252



CAUTION:
 Metal Handle MUST Be Grounded For Safe Operation!

Spare Replacment Components For Part # **CTI-2021252**

Handle Part #: **69-960104-01**

Cable Harness: **76-CA-NQ920-J-11**

Faceplate: **65-A30323-07**

Switches 1-6: **32-P-A60215-01**

Seals 1- 6: **33-BPB-589**

Trigger 1 Switch: **32-P-A60215-01**

Trigger 1 Seal: **33-BPB-589**



1201-RB HANDY-GRIP®

6 Pushbutton + Trigger w/Caps

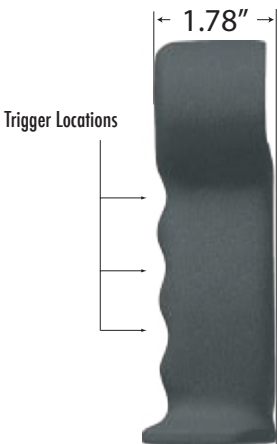


Product shown without cable harness for clarity

GENERAL DIMENSIONS



1/2 NPT
Mounting Thread



Product shown without switches for clarity

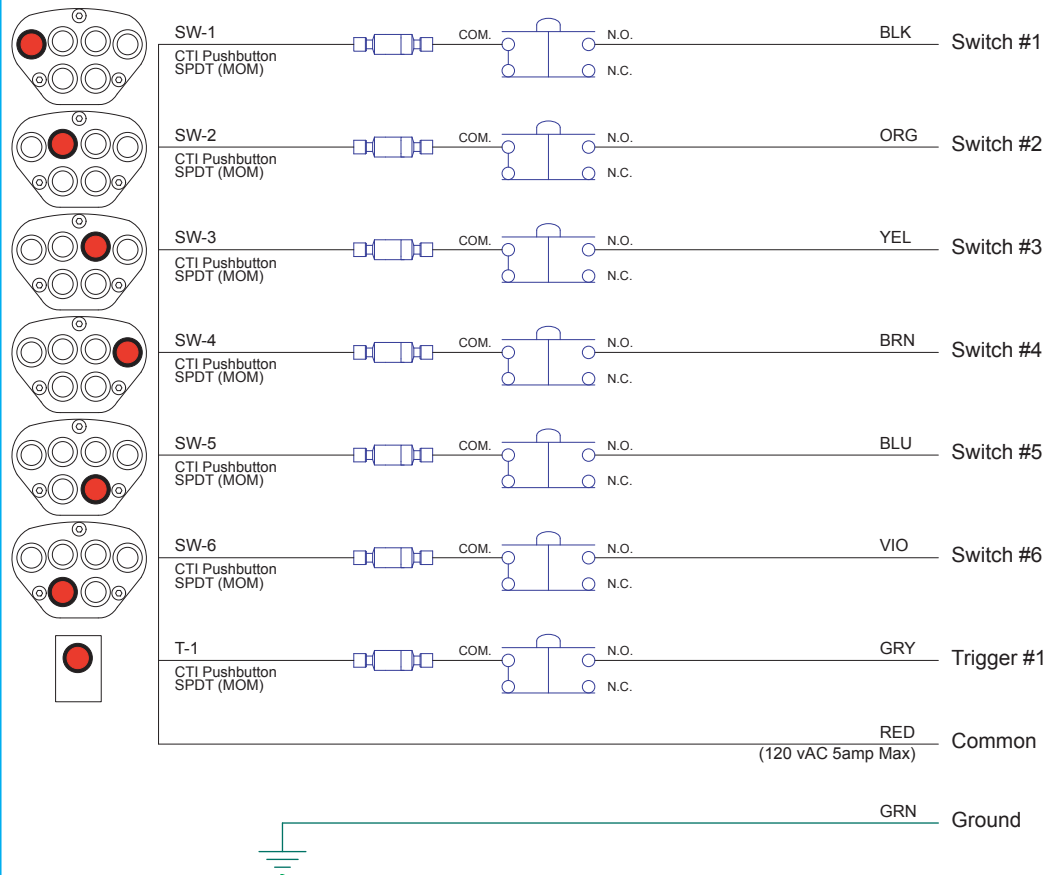
Control Unit Features:

Switches 1- 6: SPDT Mom Pushbutton Switch With Red Seal Caps
 Trigger 1: SPDT Mom Pushbutton Switch With Red Seal Cap
 Standard CTI Overlay
 10 Ft Cable
 1/2 NPT Mounting Thread With Locking Setscrew

General Information:

Control Handle Material: Aluminum
 Finish: Black Powder Coat
 Faceplate Material: Aluminum - 5052
 Overlay Material: Polycarbonate
 Temperature Range: -55°C to +85°C at rated current
 CTI Switch Life Cycles: 10,000,000
 Current Rating: 5 amps @ 120vAC

CTI PART# : CTI-2021256



CAUTION:
 Metal Handle **MUST** Be Grounded For Safe Operation!

Spare Replacment Components For Part # **CTI-2021256**

Handle Part #: **69-960104-01**

Cable Harness: **22-C-NQ920-J-11**

Faceplate: **65-A30323-07**

Switches 1-6: **32-P-A60215-01**

Seals 1- 6: **76-010321-01**

Trigger 1 Switch: **32-P-A60215-01**

Trigger 1 Seal: **76-010321-01**



1201-RB HANDY-GRIP

6 Pushbutton + 2 Triggers w/Boots

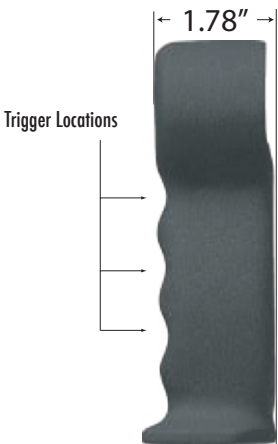


Product shown without cable harness for clarity

GENERAL DIMENSIONS



1/2 NPT
Mounting Thread



Product shown without switches for clarity

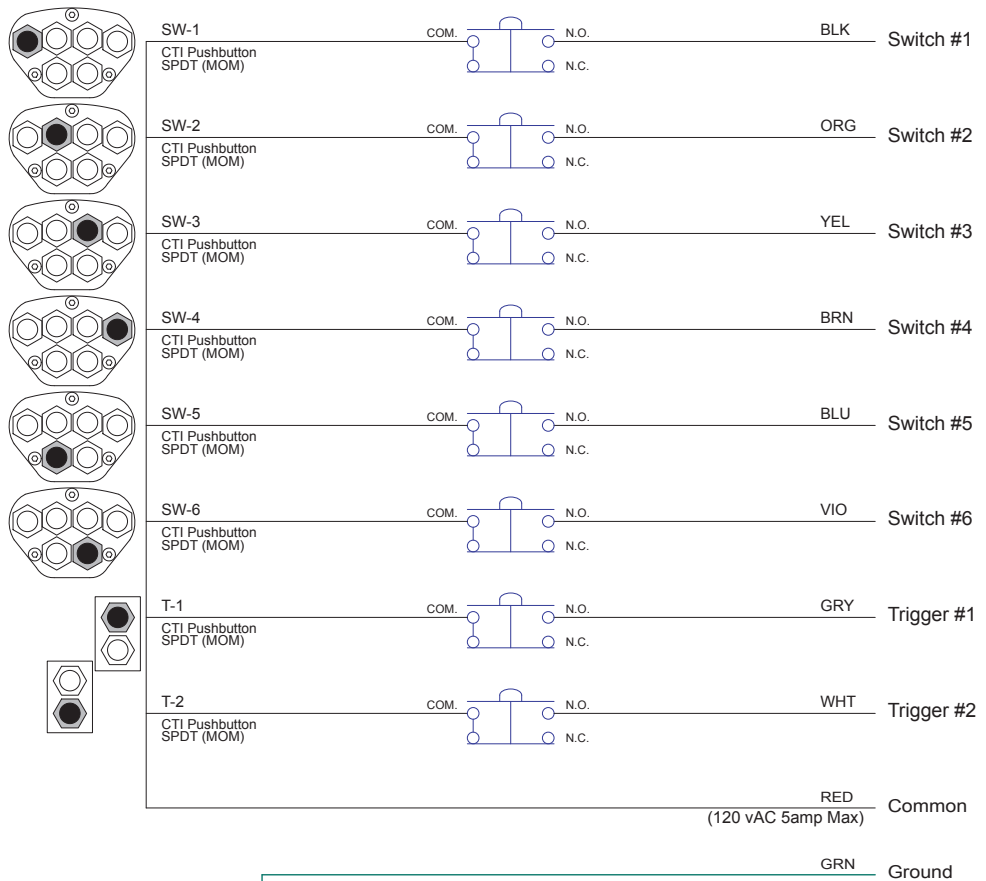
Control Unit Features:

Switches 1- 6: SPDT Mom Pushbutton Switch With Black/Chrome Seal Boots
Triggers 1-2: SPDT Mom Pushbutton Switch With Black/Chrome Seal Boots
Standard CTI Overlay
10 Ft Cable
1/2 NPT Mounting Thread With Locking Setscrew

General Information:

Control Handle Material: Aluminum
Finish: Black Powder Coat
Faceplate Material: Aluminum - 5052
Overlay Material: Polycarbonate
Temperature Range: -55°C to +85°C at rated current
CTI Switch Life Cycles: 10,000,000
Current Rating: 5 amps @ 120vAC

CTI PART# : CTI-2021253



CAUTION:
Metal Handle **MUST** Be Grounded For Safe Operation!

Spare Replacment Components For Part # **CTI-2021253**

Handle Part #: **69-960105-01**
Faceplate: **65-A30323-07**
Switches 1-6: **32-P-A60215-01**
Seals 1- 6: **33-BPB-589**

Trigger Switches 1-2: **32-P-A60215-01**
Trigger Seals 1-2: **33-BPB-589**
Cable Harness: **22-C-NQ1020-J-11**



1201-RB HANDY-GRIP®

6 Pushbutton + 2 Triggers w/Caps

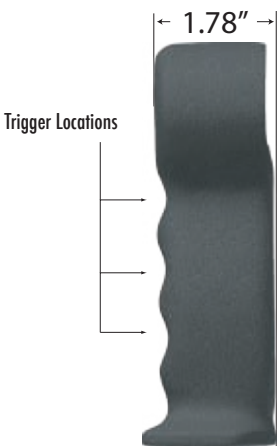


Product shown without cable harness for clarity

GENERAL DIMENSIONS



1/2 NPT
Mounting Thread



Product shown without switches for clarity

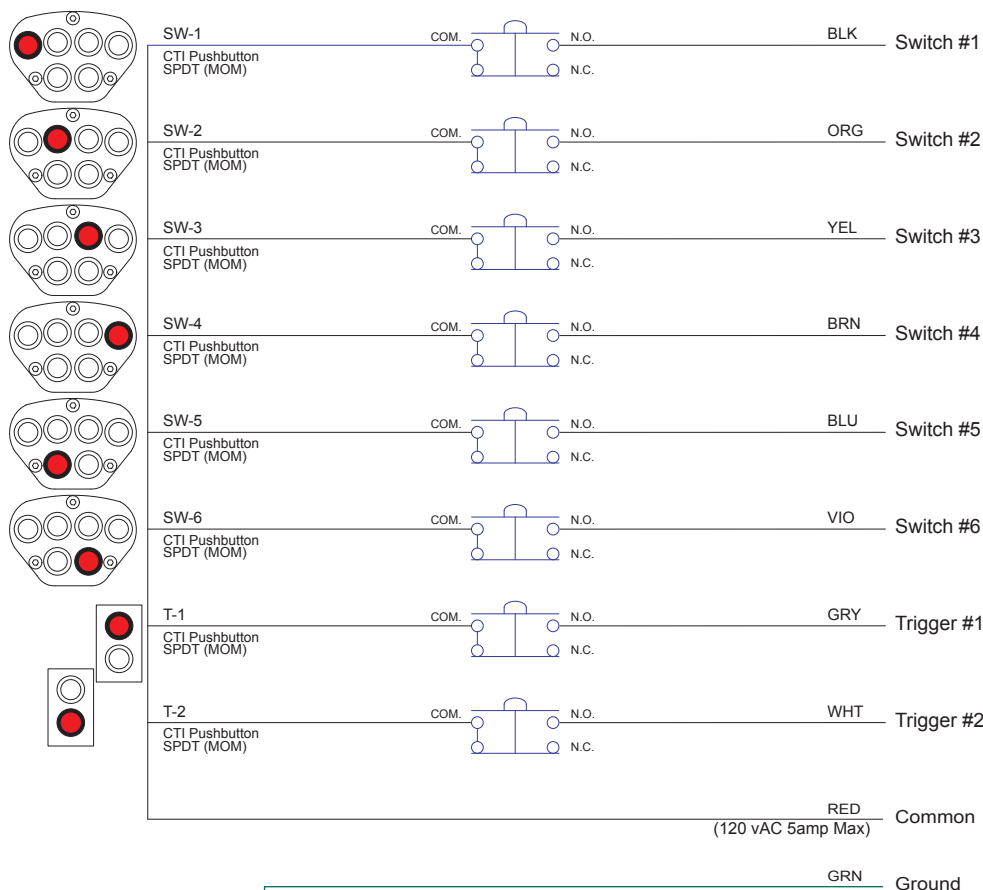
Control Unit Features:

Switches 1- 6: SPDT Mom Pushbutton Switch With Red Seal Caps
 Trigger 1-2: SPDT Mom Pushbutton Switch With Red Seal Cap
 Standard CTI Overlay
 10 Ft Cable
 1/2 NPT Mounting Thread With Locking Setscrew

General Information:

Control Handle Material: Aluminum
 Finish: Black Powder Coat
 Faceplate Material: Aluminum - 5052
 Overlay Material: Polycarbonate
 Temperature Range: -55°C to +85°C at rated current
 CTI Switch Life Cycles: 10,000,000
 Current Rating: 5 amps @ 120vAC

CTI PART# : CTI-2021257



CAUTION:
 Metal Handle **MUST** Be Grounded For Safe Operation!

Spare Replacment Components For Part # **CTI-2021257**

Handle Part #: **69-960105-01**

Cable Harness: **22-C-NQ1020-J-11**

Faceplate: **65-A30323-07**

Switches 1-6: **32-P-A60215-01**

Seals 1- 6: **76-010321-01**

Trigger 1 Switch: **32-P-A60215-01**

Trigger 1 Seal: **76-010321-01**



1201-RB HANDY-GRIP®

6 Pushbutton + 3 Triggers w/Boots

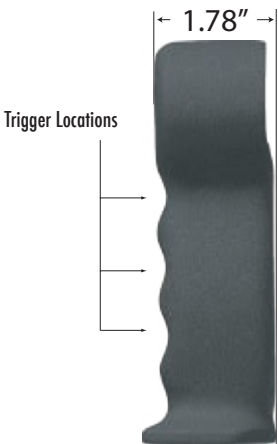


Product shown without cable harness for clarity

GENERAL DIMENSIONS



1/2 NPT
Mounting Thread



Product shown without switches for clarity

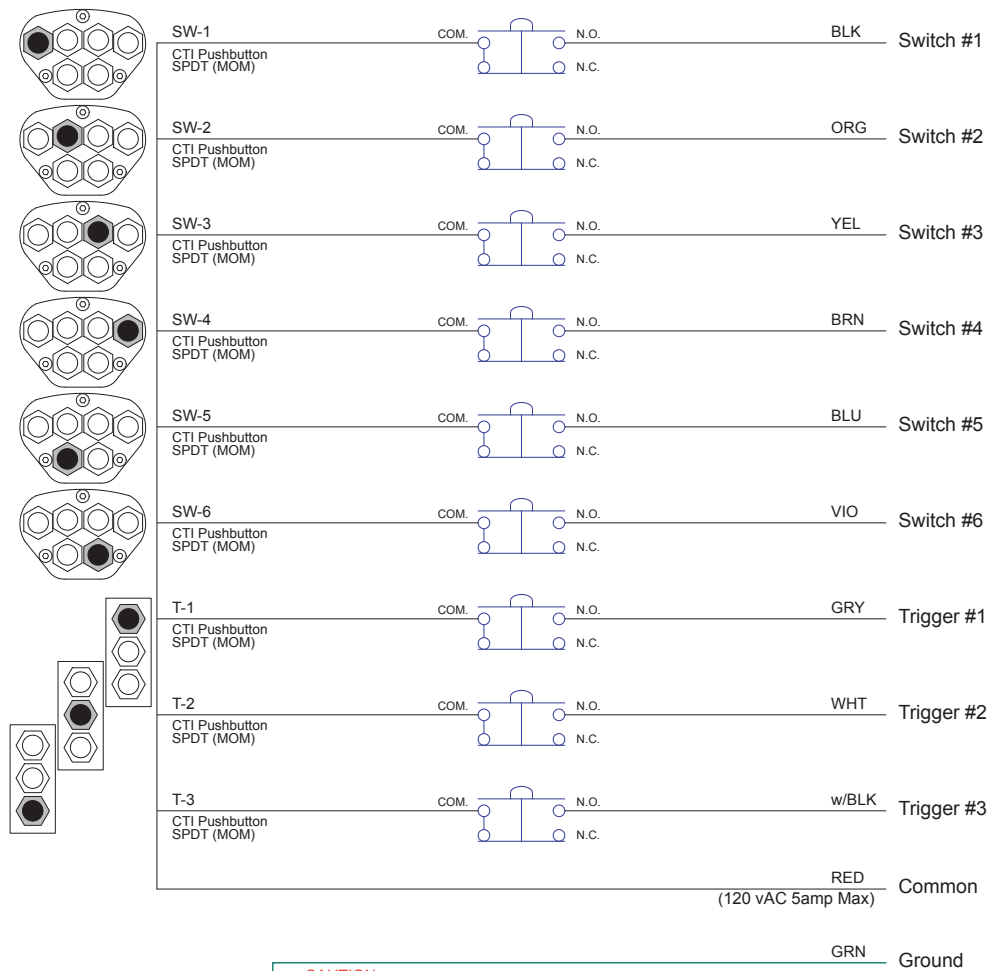
Control Unit Features:

Switches 1- 6: SPDT Mom Pushbutton Switch With Black/Chrome Seal Boots
 Trigger 1-3: SPDT Mom Pushbutton Switch With Black/Chrome Seal Boots
 Standard CTI Overlay
 10 Ft Cable
 1/2 NPT Mounting Thread With Locking Setscrew

General Information:

Control Handle Material: Aluminum
 Finish: Black Powder Coat
 Faceplate Material: Aluminum - 5052
 Overlay Material: Polycarbonate
 Temperature Range: -55°C to +85°C at rated current
 CTI Switch Life Cycles: 10,000,000
 Current Rating: 5 amps @ 120vAC

CTI PART# : CTI-2021254



CAUTION:
 Metal Handle **MUST** Be Grounded For Safe Operation!

Spare Replacment Components For Part # **CTI-2021254**

Handle Part #: **69-960105-01**
 Faceplate: **65-A30323-07**
 Switches 1-6: **32-P-A62015-01**

Seals 1- 6: **33-BPB-589**
 Trigger Switches 1-3: **32-P-A60215-01**
 Trigger Seals 1-3: **33-BPB-589**
 Cable Harness: **22-C-NQ1520-J-11**



1201-RB HANDY-GRIP®

6 Pushbutton + 3 Triggers w/Caps

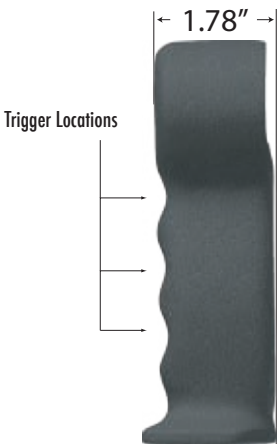


Product shown without cable harness for clarity

GENERAL DIMENSIONS



1/2 NPT
Mounting Thread



Product shown without switches for clarity

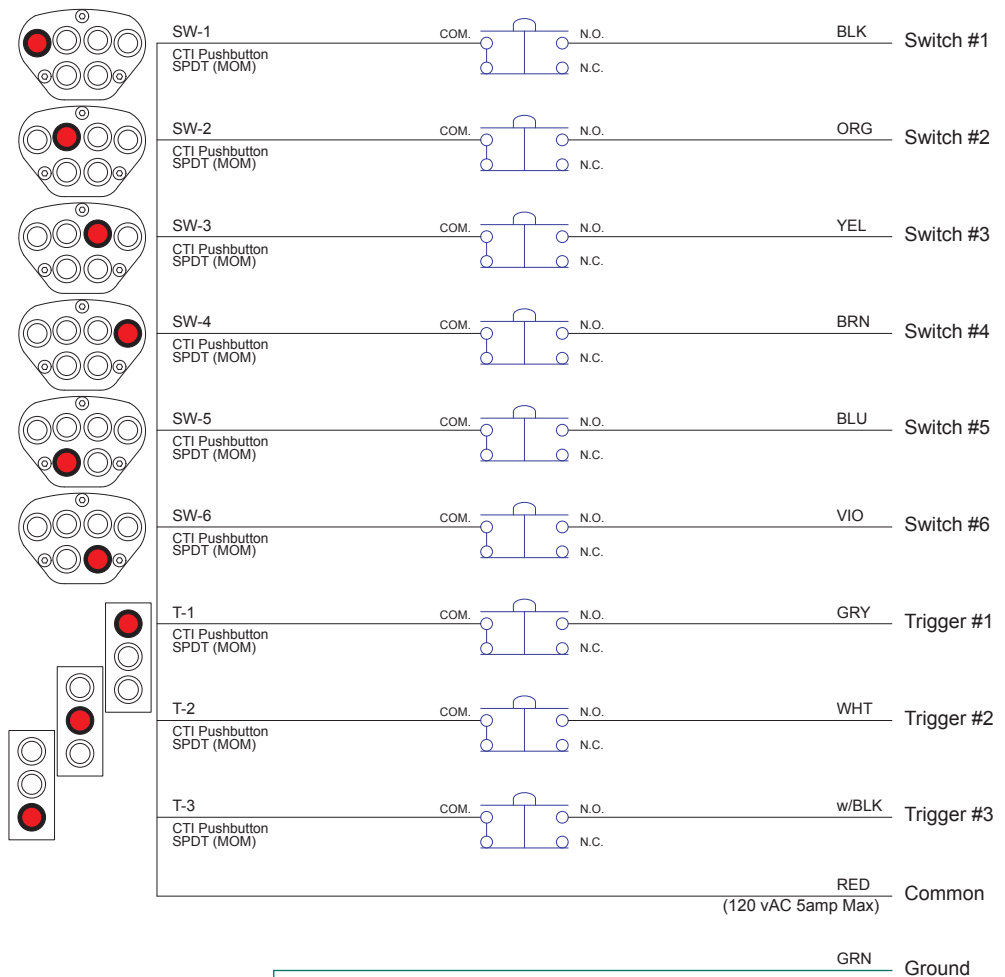
Control Unit Features:

Switches 1-6: SPDT Mom Pushbutton Switch With Red Seal Caps
 Trigger 1-3: SPDT Mom Pushbutton Switch With Red Seal Cap
 Standard CTI Overlay
 10 Ft Cable
 1/2 NPT Mounting Thread With Locking Setscrew
 Diode Protected

General Information:

Control Handle Material: Aluminum
 Finish: Black Powder Coat
 Faceplate Material: Aluminum - 5052
 Overlay Material: Polycarbonate
 Temperature Range: -55°C to +85°C at rated current
 CTI Switch Life Cycles: 10,000,000
 Current Rating: 5 amps @ 120vAC

CTI PART# : CTI-2021258



CAUTION:
 Metal Handle **MUST** Be Grounded For Safe Operation!

Spare Replacment Components For Part # **CTI-2021258**

Handle Part #: **69-960105-01**
 Faceplate: **65-A30323-07**
 Switches 1-6: **32-P-A60215-01**
 Seals 1-6: **76-010321-01**

Trigger 1-3 Switch: **32-P-A60215-01**
 Trigger 1-3Seal: **76-010321-01**
 Cable Harness: **22-C-NQ1520-J-11**



1201-RB HANDY-GRIP®

2 Rocker, 2 Pushbutton w/Caps

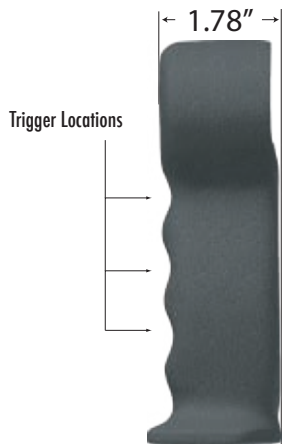


Product shown without cable harness for clarity

GENERAL DIMENSIONS



1/2 NPT
Mounting Thread



Product shown without switches for clarity

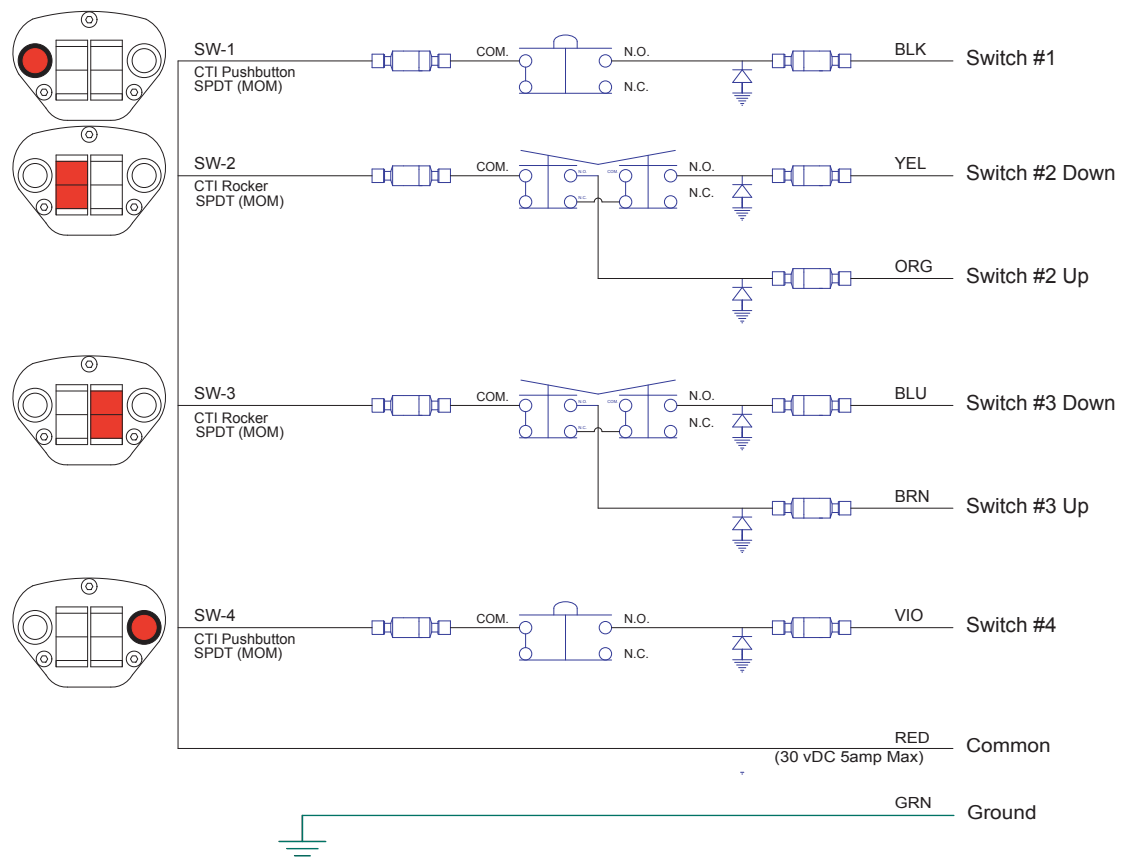
Control Unit Features:

Switches 1,4: SPDT Mom Pushbutton Switch With Red Seal Caps
 Switches 2,3: SPDT Mom Rocker Switch With Red Seal Caps
 Standard CTI Overlay
 10 Ft Cable
 1/2 NPT Mounting Thread With Locking Setscrew
 Diode Protected

General Information:

Control Handle Material: Aluminum
 Finish: Black Powder Coat
 Faceplate Material: Aluminum - 5052
 Overlay Material: Polycarbonate
 Temperature Range: -55°C to +85°C at rated current
 CTI Switch Life Cycles: 10,000,000
 Current Rating: 5 amps @ 30vDC

CTI PART# : CTI-2021272



CAUTION:
 Metal Handle MUST Be Grounded For Safe Operation!

Spare Replacment Components For Part # **CTI-2021272**

Handle Part #: **69-A80431-01**
 Faceplate: **65-A30323-11**
 Switches 1,4: **32-P-A91113-01**
 Seals 1,4: **76-010321-01**
 Switches 2,3: **32-R-920901-01**
 Seals 2,3: **76-010235-01**

Cable Harness: **76-CA-NQ920-2RKR2SW0T-10**



1201-RB HANDY-GRIP®

2 Rocker, 2 Pushbutton + Trigger w/Caps

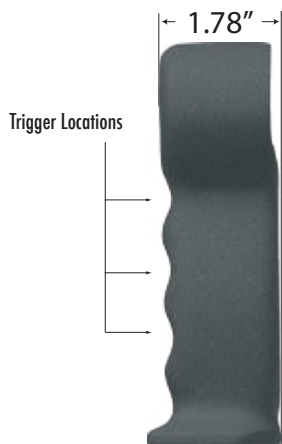


Product shown without cable harness for clarity

GENERAL DIMENSIONS



1/2 NPT
Mounting Thread



Product shown without switches for clarity

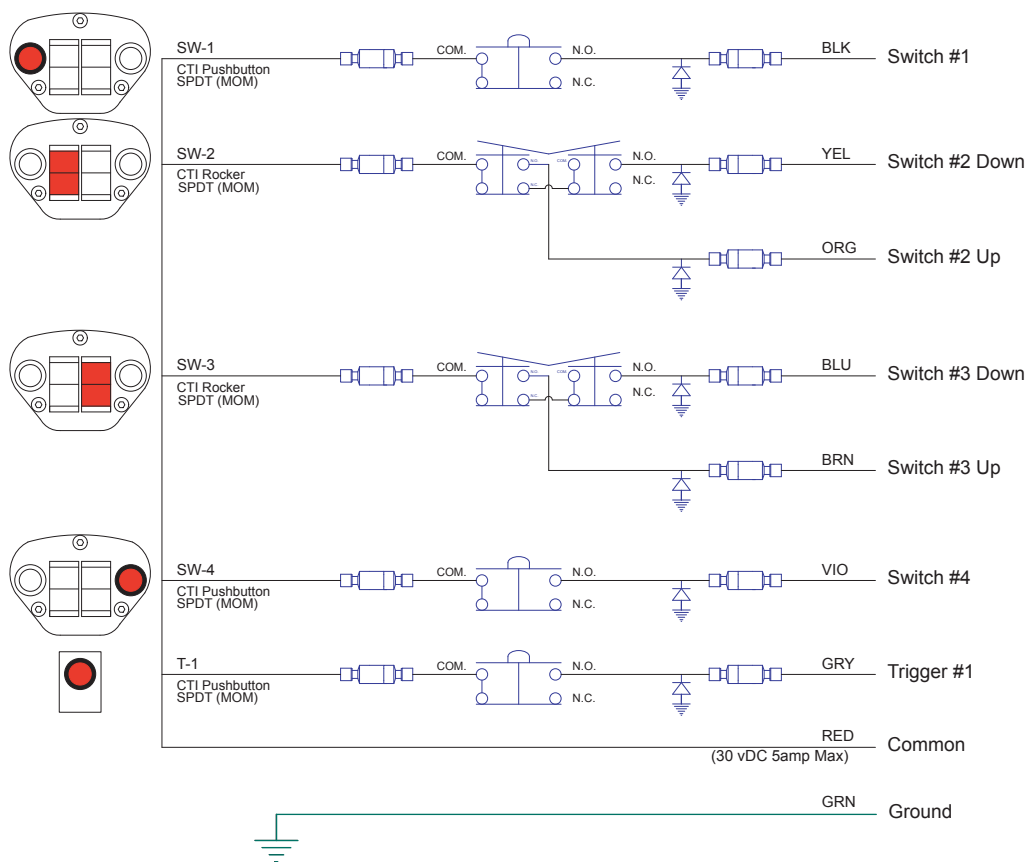
Control Unit Features:

Switches 1,4: SPDT Mom Pushbutton Switch With Red Seal Caps
 Switches 2,3: SPDT Mom Rocker Switch With Red Seal Caps
 Trigger 1: SPDT Mom Pushbutton Switch With Red Seal Cap
 Standard CTI Overlay
 10 Ft Cable
 1/2 NPT Mounting Thread With Locking Setscrew
 Diode Protected

General Information:

Control Handle Material: Aluminum
 Finish: Black Powder Coat
 Faceplate Material: Aluminum - 5052
 Overlay Material: Polycarbonate
 Temperature Range: -55°C to +85°C at rated current
 CTI Switch Life Cycles: 10,000,000
 Current Rating: 5 amps @ 30vDC

CTI PART# : CTI-2021273



CAUTION:
 Metal Handle MUST Be Grounded For Safe Operation!

Spare Replacment Components For Part # **CTI-2021273**

Handle Part #: **69-960104-01**
 Faceplate: **65-A30323-11**
 Switches 1,4: **32-P-A91113-01**
 Seals 1,4: **76-010321-01**
 Switches 2,3: **32-R-920901-01**
 Seals 2,3: **76-010235-01**

Trigger 1 Switch: **32-P-A91113-01**
 Trigger 1 Seal: **76-010321-01**
 Cable Harness: **76-CA-NQ920-2RKR2SWIT-10**



1201-RB HANDY-GRIP®

2 Rocker, 2 Pushbutton + 2 Triggers w/Caps

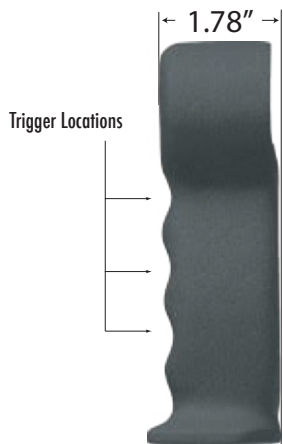


Product shown without cable harness for clarity

GENERAL DIMENSIONS



1/2 NPT
Mounting Thread



Product shown without switches for clarity

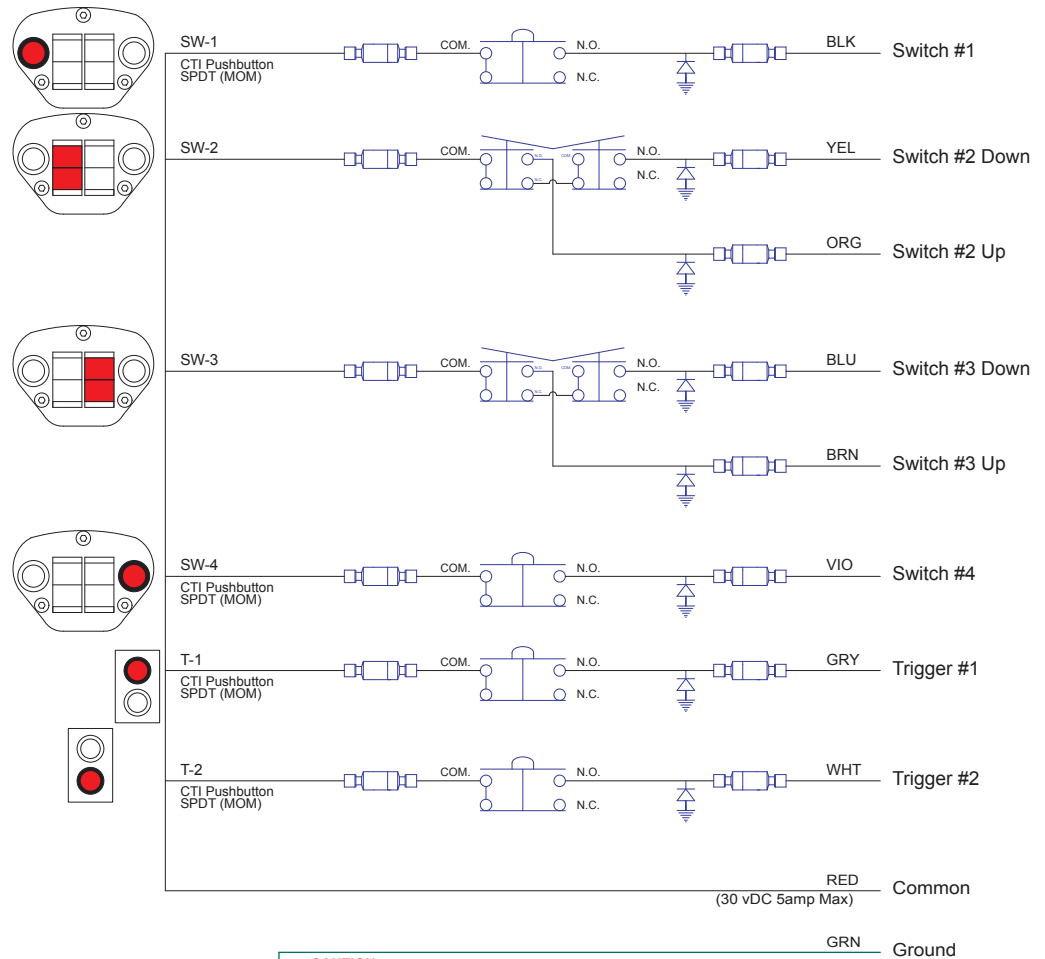
Control Unit Features:

Switches 1,4: SPDT Mom Pushbutton Switch With Red Seal Caps
 Switches 2,3: SPDT Mom Rocker Switch With Red Seal Caps
 Triggers 1-2: SPDT Mom Pushbutton Switch With Red Seal Cap
 Standard CTI Overlay
 10 Ft Cable
 1/2 NPT Mounting Thread With Locking Setscrew
 Diode Protected

General Information:

Control Handle Material: Aluminum
 Finish: Black Powder Coat
 Faceplate Material: Aluminum - 5052
 Overlay Material: Polycarbonate
 Temperature Range: -55°C to +85°C at rated current
 CTI Switch Life Cycles: 10,000,000
 Current Rating: 5 amps @ 30vDC

CTI PART# : CTI-2021274



CAUTION:
 Metal Handle **MUST** Be Grounded For Safe Operation!

Spare Replacement Components For Part # **CTI-2021274**

Handle Part #: **69-960105-01**

Faceplate: **65-A30323-11**

Switches 1,4: **32-P-A91113-01**

Seals 1,4: **76-010321-01**

Switches 2,3: **32-R-920901-01**

Seals 2,3: **76-010235-01**

Triggers 1-2: **32-P-A91113-01**

Trigger Seals 1-2: **76-010235-01**

Cable Harness: **76-CA-NQ1020-2RKR2SW2T-10**

Document Date: 05-12-2005



1201-RB HANDY-GRIP®

2 Rocker, 2 Pushbutton + 3 Trigger w/Caps

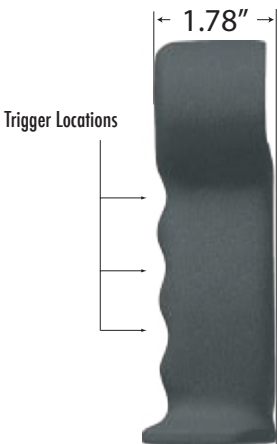


Product shown without cable harness for clarity

GENERAL DIMENSIONS



1/2 NPT
Mounting Thread



Product shown without switches for clarity

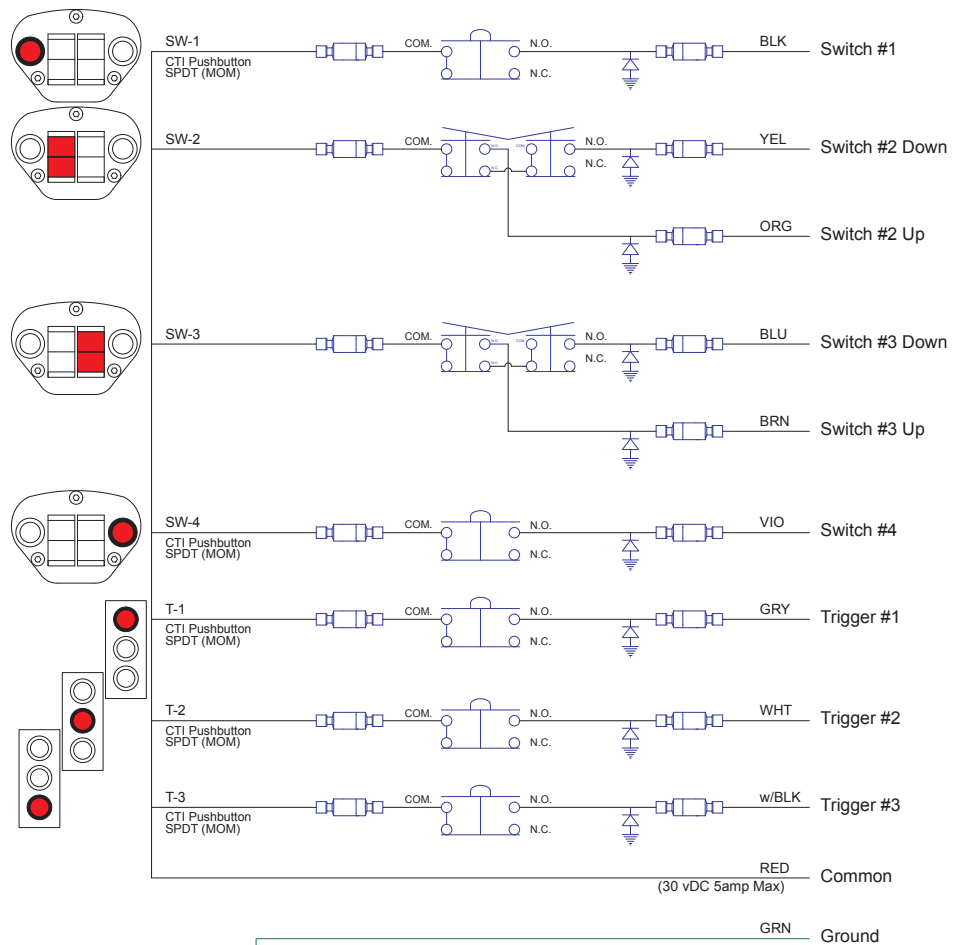
Control Unit Features:

Switches 1,4: SPDT Mom Pushbutton Switch With Red Seal Caps
 Switches 2,3: SPDT Mom Rocker Switch With Red Seal Caps
 Trigger 1-3: SPDT Mom Pushbutton Switch With Red Seal Cap
 Standard CTI Overlay
 10 Ft Cable
 1/2 NPT Mounting Thread With Locking Setscrew
 Diode Protected

General Information:

Control Handle Material: Aluminum
 Finish: Black Powder Coat
 Faceplate Material: Aluminum - 5052
 Overlay Material: Polycarbonate
 Temperature Range: -55°C to +85°C at rated current
 CTI Switch Life Cycles: 10,000,000
 Current Rating: 5 amps @ 30vDC

CTI PART# : CTI-2021275



Spare Replacment Components For Part # **CTI-x2021275**

Handle Part #: **69-960106-01**
 Faceplate: **65-A30323-11**
 Switches 1,4: **32-P-A91113-01**
 Seals 1,4: **76-010321-01**
 Switches 2,3: **32-R-920901-01**

Seals 2,3: **76-010235-01**
 Trigger 1-3 Switch: **32-P-A91113-01**
 Trigger 1-3 Seal: **76-010321-01**
 Cable Harness: **76-CA-NQ1520-2RKR2SW3T-10**



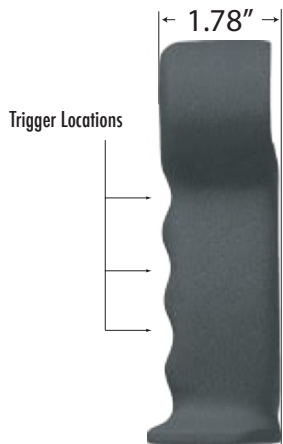
1201-RB HANDY-GRIP®

6 Pushbutton w/Boots



Product shown without cable harness for clarity

GENERAL DIMENSIONS



Product shown without switches for clarity

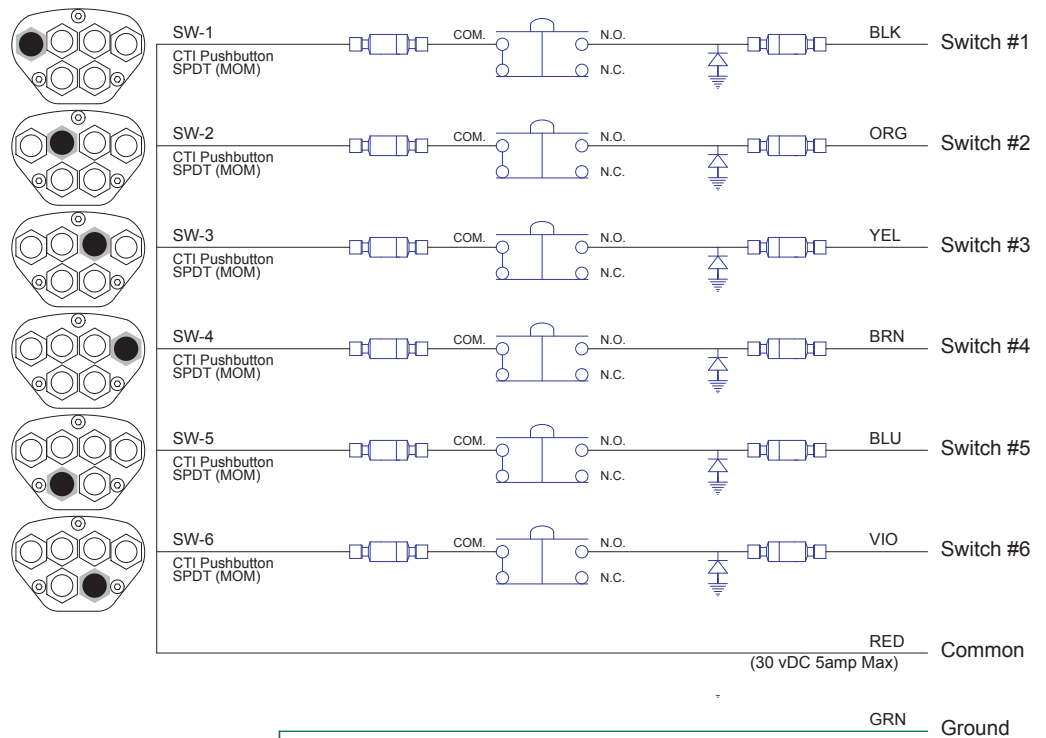
Control Unit Features:

Switches 1- 6: SPDT Mom Pushbutton Switch With Black/Chrome Seal Boots
 Standard CTI Overlay
 10 Ft Cable
 1/2 NPT Mounting Thread With Locking Setscrew
 Diode Protected

General Information:

Control Handle Material: Aluminum
 Finish: Black Powder Coat
 Faceplate Material: Aluminum - 5052
 Overlay Material: Polycarbonate
 Temperature Range: -55°C to +85°C at rated current
 CTI Switch Life Cycles: 10,000,000
 Current Rating: 5 amps @ 30vDC

CTI PART# : CTI-2021264



CAUTION:
 Metal Handle MUST Be Grounded For Safe Operation!

Spare Replacment Components For Part # **CTI-2021264**

Handle Part #: **69-A80431-01**
 Faceplate: **65-A30323-07**
 Switches 1-6: **32-P-A91113-01**
 Seals 1- 6: **33-BPB-589**
 Cable Harness: **76-CA-NQ920-6SW0T-10**



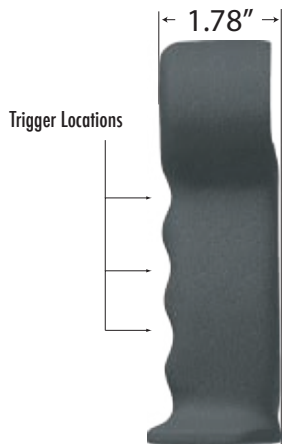
1201-RB HANDY-GRIP®

6 Pushbutton w/Caps



Product shown without cable harness for clarity

GENERAL DIMENSIONS



Product shown without switches for clarity

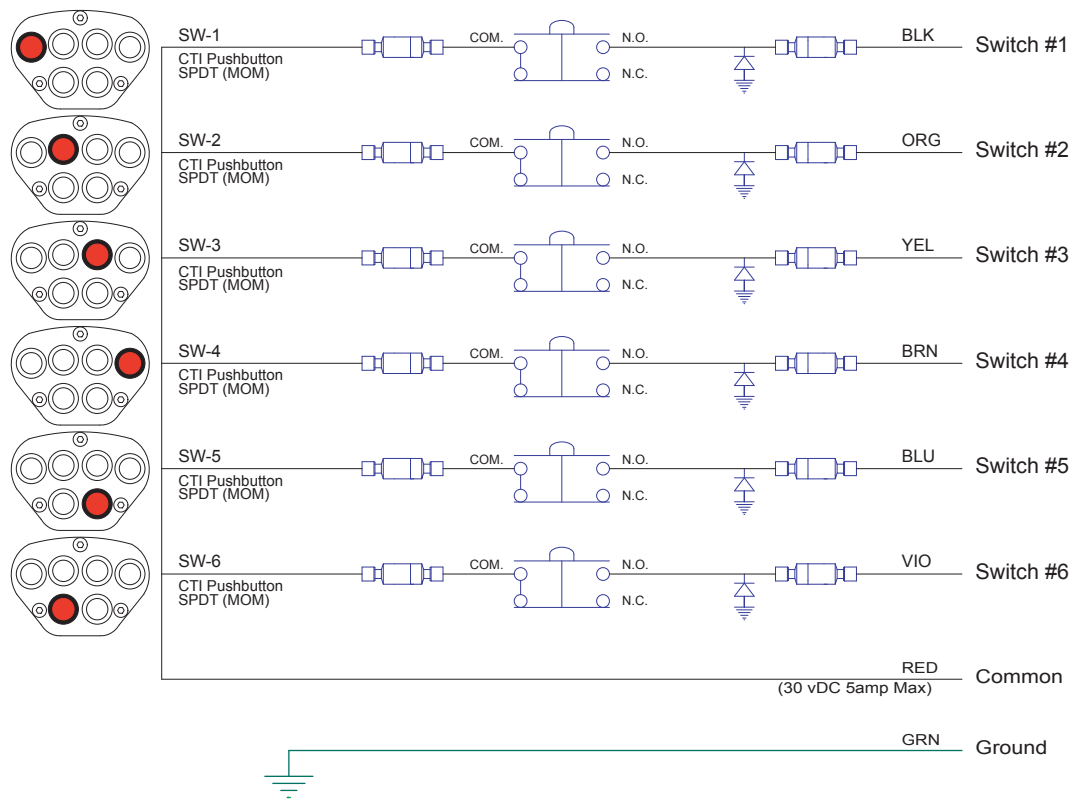
Control Unit Features:

Switches 1- 6: SPDT Mom Pushbutton Switch With Red Seal Caps
 Standard CTI Overlay
 10 Ft Cable
 1/2 NPT Mounting Thread With Locking Setscrew
 Diode Protected

General Information:

Control Handle Material: Aluminum
 Finish: Black Powder Coat
 Faceplate Material: Aluminum - 5052
 Overlay Material: Polycarbonate
 Temperature Range: -55°C to +85°C at rated current
 CTI Switch Life Cycles: 10,000,000
 Current Rating: 5 amps @ 30vDC

CTI PART# : CTI-2021268



CAUTION:
 Metal Handle MUST Be Grounded For Safe Operation!

Spare Replacment Components For Part # **CTI-2021268**

Handle Part #: **69-A80431-01**
 Faceplate: **65-A30323-07**
 Switches 1-6: **32-P-A91113-01**
 Seals 1- 6: **76-010321-01**
 Cable Harness: **76-CA-NQ920-6SW0T-10**



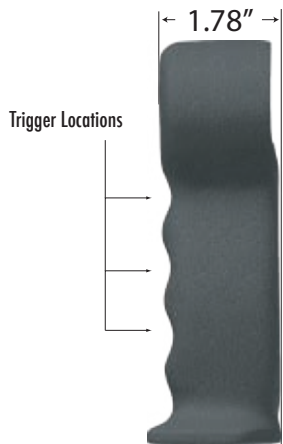
1201-RB HANDY-GRIP®

6 Pushbutton + Trigger w/Boots



Product shown without cable harness for clarity

GENERAL DIMENSIONS



Product shown without switches for clarity

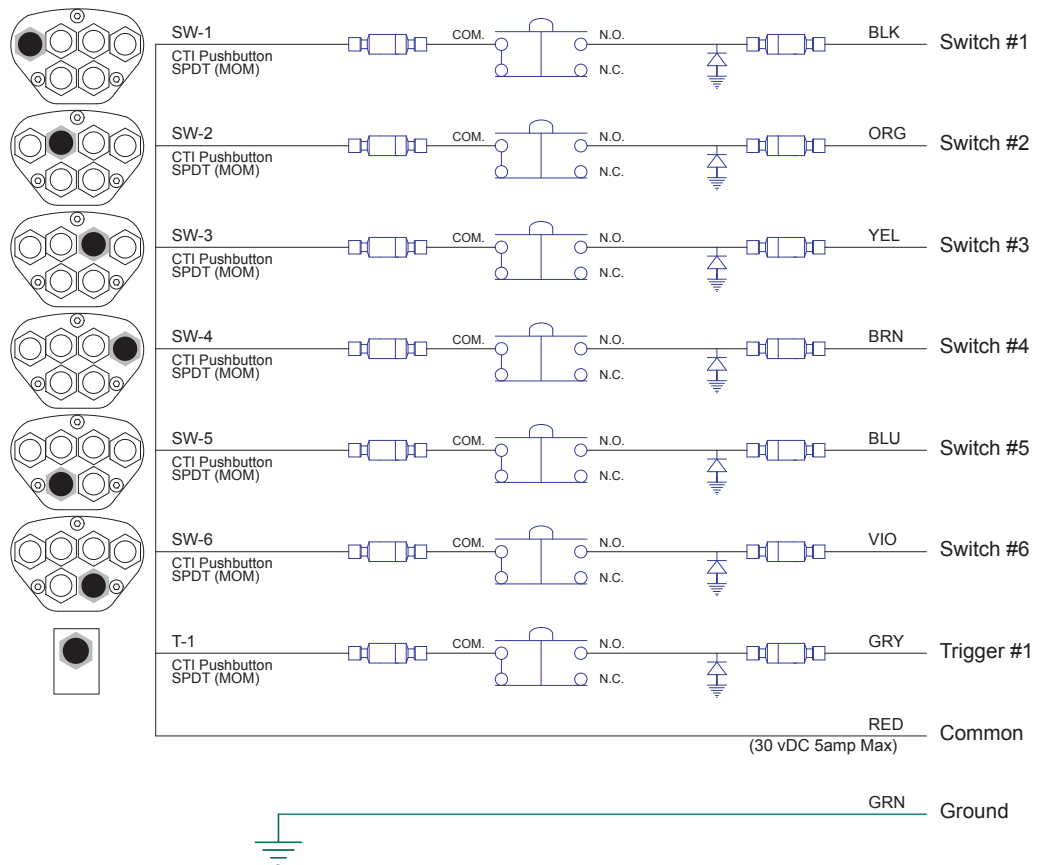
Control Unit Features:

Switches 1- 6: SPDT Mom Pushbutton Switch With Black/Chrome Seal Boots
 Trigger 1: SPDT Mom Pushbutton Switch With Black/Chrome Seal Boots
 Standard CTI Overlay
 10 Ft Cable
 1/2 NPT Mounting Thread With Locking Setscrew
 Diode Protected

General Information:

Control Handle Material: Aluminum
 Finish: Black Powder Coat
 Faceplate Material: Aluminum - 5052
 Overlay Material: Polycarbonate
 Temperature Range: -55°C to +85°C at rated current
 CTI Switch Life Cycles: 10,000,000
 Current Rating: 5 amps @ 30vDC

CTI PART# : CTI-2021265



CAUTION:
 Metal Handle **MUST** Be Grounded For Safe Operation!

Spare Replacment Components For Part # **CTI-2021265**

Handle Part #: **69-960104-01**

Cable Harness: **76-CA-NQ920-6SWIT-10**

Faceplate: **65-A30323-07**

Switches 1-6: **32-P-A91113-01**

Seals 1- 6: **33-BPB-589**

Trigger 1 Switch: **32-P-A91113-01**

Trigger 1 Seal: **33-BPB-589**



1201-RB HANDY-GRIP®

6 Pushbutton + Trigger w/Caps

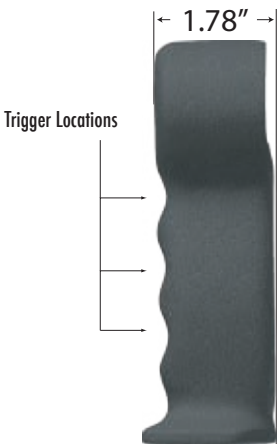


Product shown without cable harness for clarity

GENERAL DIMENSIONS



1/2 NPT
Mounting Thread



Product shown without switches for clarity

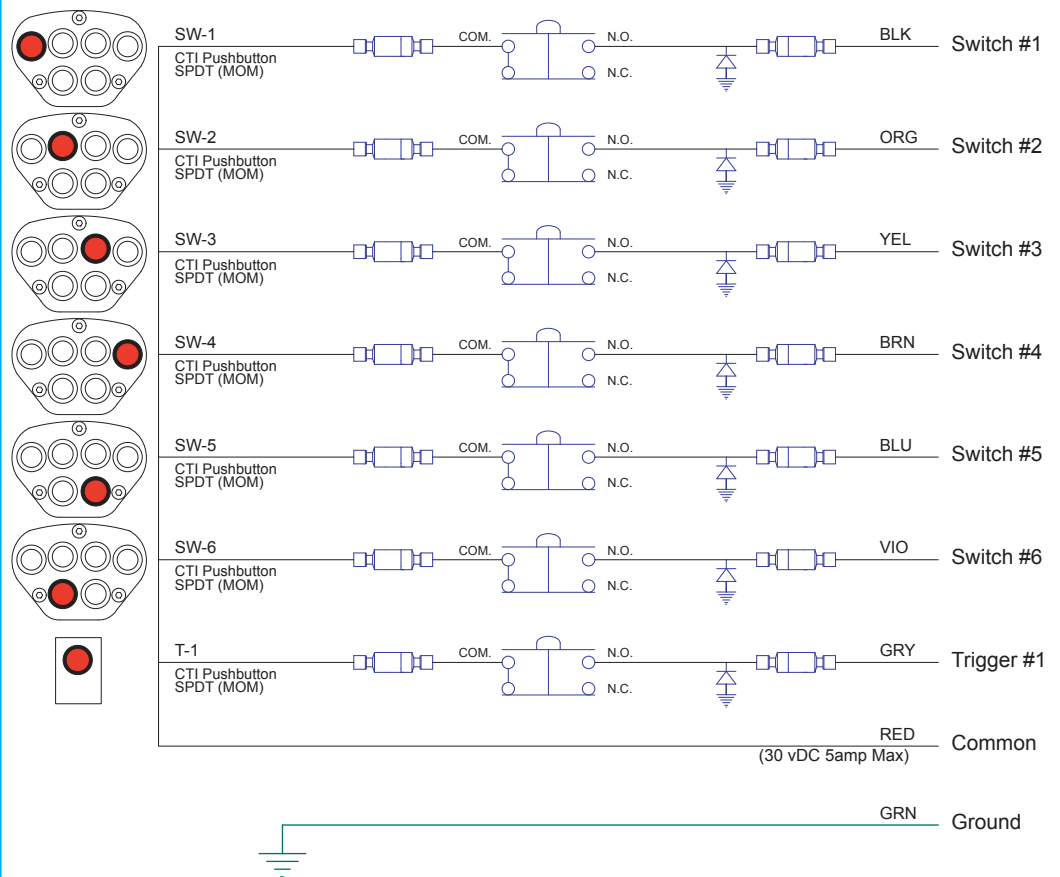
Control Unit Features:

Switches 1- 6: SPDT Mom Pushbutton Switch With Red Seal Caps
 Trigger 1: SPDT Mom Pushbutton Switch With Red Seal Cap
 Standard CTI Overlay
 10 Ft Cable
 1/2 NPT Mounting Thread With Locking Setscrew
 Diode Protected

General Information:

Control Handle Material: Aluminum
 Finish: Black Powder Coat
 Faceplate Material: Aluminum - 5052
 Overlay Material: Polycarbonate
 Temperature Range: -55°C to +85°C at rated current
 CTI Switch Life Cycles: 10,000,000
 Current Rating: 5 amps @ 30vDC

CTI PART# : CTI-2021269



CAUTION:
 Metal Handle **MUST** Be Grounded For Safe Operation!

Spare Replacment Components For Part # **CTI-2021269**

Handle Part #: **69-960104-01**

Cable Harness: **76-CA-NQ920-6SW1T-10**

Faceplate: **65-A30323-07**

Switches 1-6: **32-P-A91113-01**

Seals 1- 6: **76-010321-01**

Trigger 1 Switch: **32-P-A91113-01**

Trigger 1 Seal: **76-010321-01**



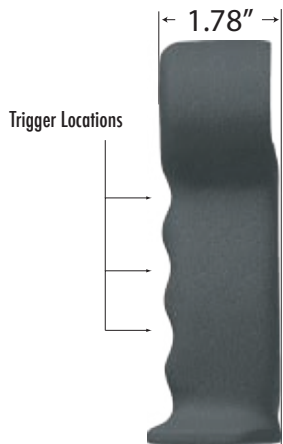
1201-RB HANDY-GRIP®

6 Pushbutton + 2 Triggers w/Boots



Product shown without cable harness for clarity

GENERAL DIMENSIONS



Product shown without switches for clarity

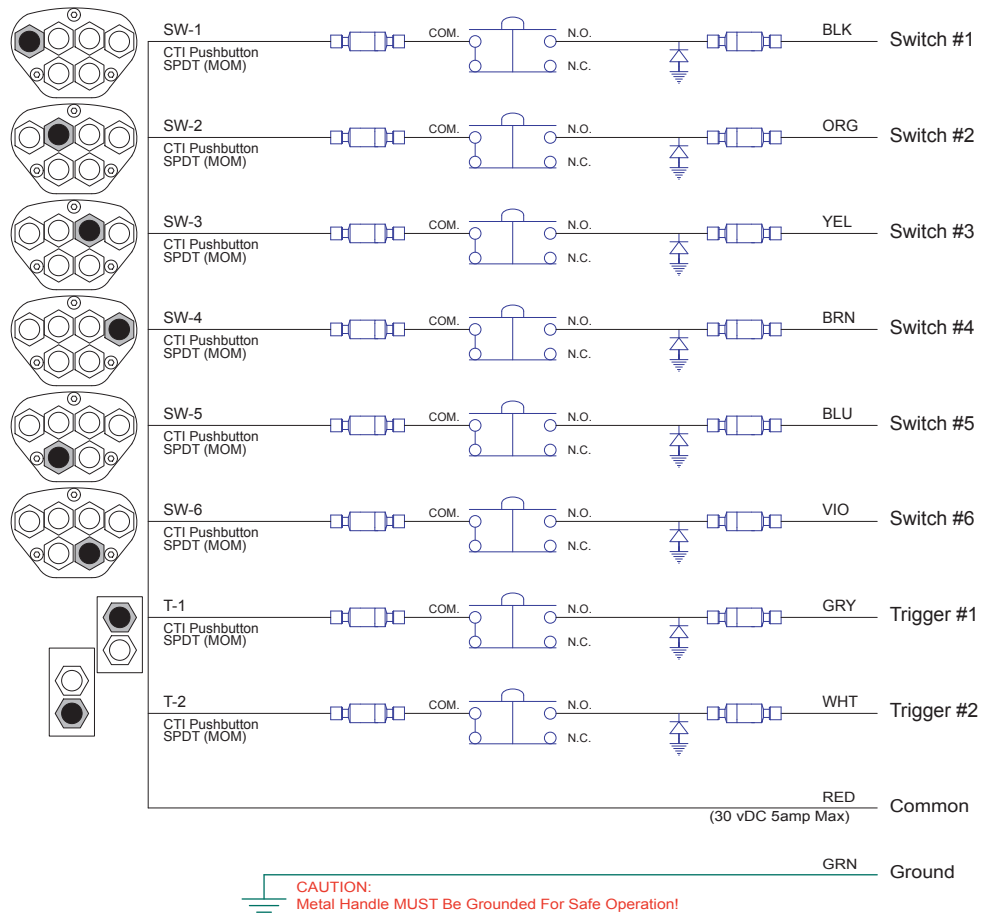
Control Unit Features:

Switches 1-6: SPDT Mom Pushbutton Switch With Black/Chrome Seal Boots
 Triggers 1-2: SPDT Mom Pushbutton Switch With Black/Chrome Seal Boots
 Standard CTI Overlay
 10 Ft Cable
 1/2 NPT Mounting Thread With Locking Setscrew
 Diode Protected

General Information:

Control Handle Material: Aluminum
 Finish: Black Powder Coat
 Faceplate Material: Aluminum - 5052
 Overlay Material: Polycarbonate
 Temperature Range: -55°C to +85°C at rated current
 CTI Switch Life Cycles: 10,000,000
 Current Rating: 5 amps @ 30vDC

CTI PART# : CTI-2021266



Spare Replacment Components For Part # **CTI-2021266**

Handle Part #: **69-960105-01**
 Faceplate: **65-A30323-07**
 Switches 1-6: **32-P-A91113-01**
 Seals 1-6: **33-BPB-589**

Trigger Switches 1-2: **32-P-A91113-01**
 Trigger Seals 1-2: **33-BPB-589**
 Cable Harness: **76-CA-NQ1020-6SW2T-10**



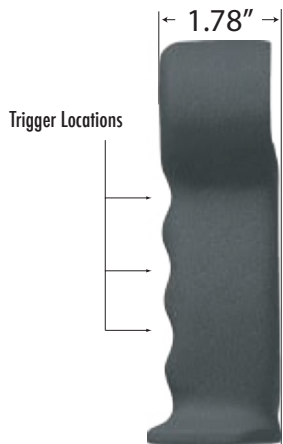
1201-RB HANDY-GRIP®

6 Pushbutton + 2 Triggers w/Caps



Product shown without cable harness for clarity

GENERAL DIMENSIONS



Product shown without switches for clarity

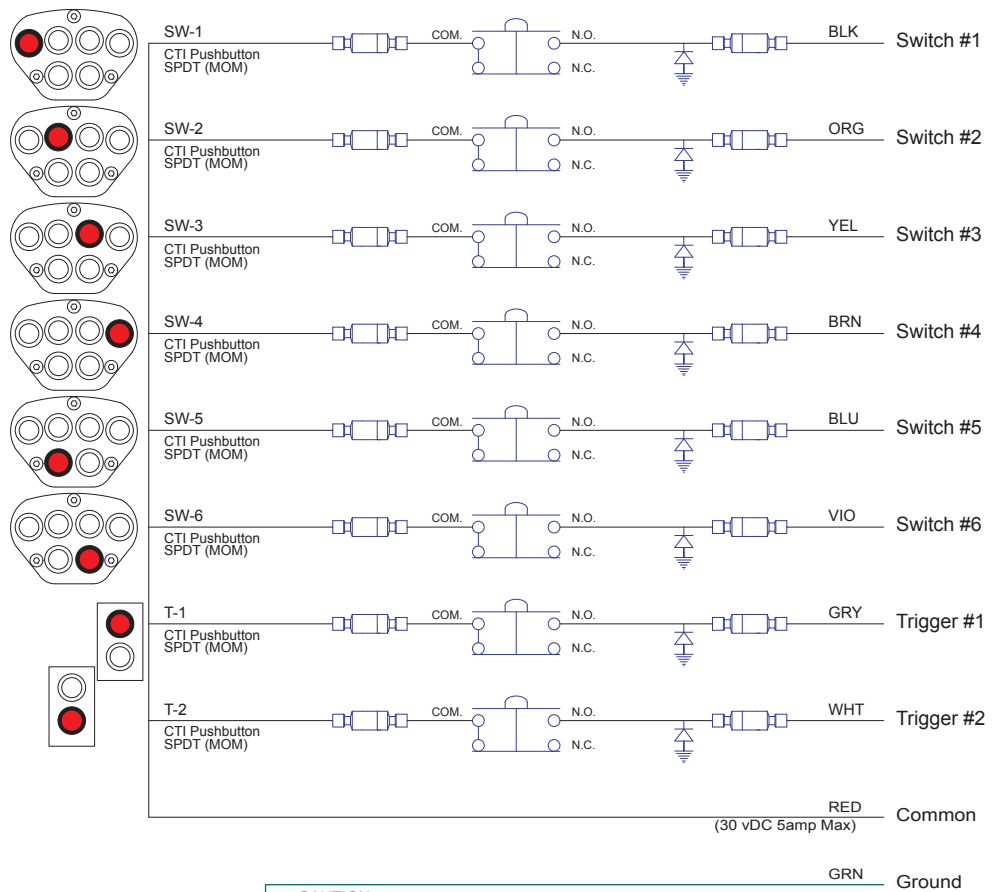
Control Unit Features:

Switches 1-6: SPDT Mom Pushbutton Switch With Red Seal Caps
 Trigger 1-2: SPDT Mom Pushbutton Switch With Red Seal Cap
 Standard CTI Overlay
 10 Ft Cable
 1/2 NPT Mounting Thread With Locking Setscrew
 Diode Protected

General Information:

Control Handle Material: Aluminum
 Finish: Black Powder Coat
 Faceplate Material: Aluminum - 5052
 Overlay Material: Polycarbonate
 Temperature Range: -55°C to +85°C at rated current
 CTI Switch Life Cycles: 10,000,000
 Current Rating: 5 amps @ 30vDC

CTI PART# : CTI-2021270



CAUTION:
Metal Handle **MUST** Be Grounded For Safe Operation!

Spare Replacment Components For Part # **CTI-2021270**

Handle Part #: **69-960105-01**

Cable Harness: **76-CA-NQ1020-6SW2T-10**

Faceplate: **65-A30323-07**

Switches 1-6: **32-P-A91113-01**

Seals 1- 6: **76-010321-01**

Trigger 1 Switch: **32-P-A91113-01**

Trigger 1 Seal: **76-010321-01**



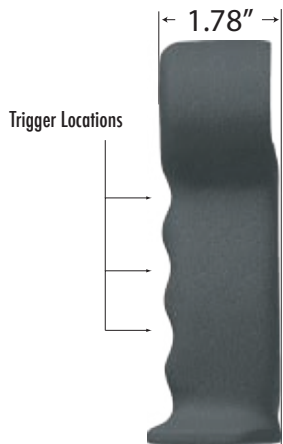
1201-RB HANDY-GRIP®

6 Pushbutton + 3 Triggers w/Boots



Product shown without cable harness for clarity

GENERAL DIMENSIONS



Product shown without switches for clarity

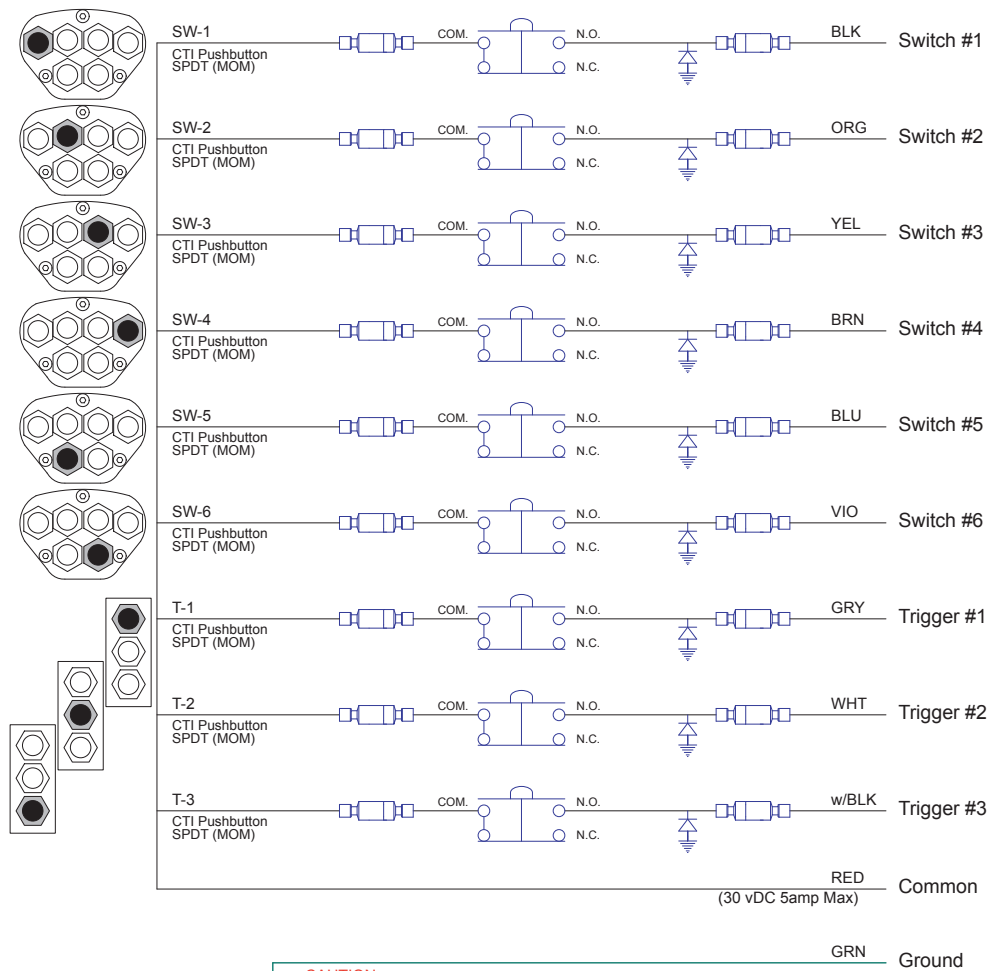
Control Unit Features:

Switches 1- 6: SPDT Mom Pushbutton Switch With Black/Chrome Seal Boots
 Trigger 1-3: SPDT Mom Pushbutton Switch With Black/Chrome Seal Boots
 Standard CTI Overlay
 10 Ft Cable
 1/2 NPT Mounting Thread With Locking Setscrew
 Diode Protected

General Information:

Control Handle Material: Aluminum
 Finish: Black Powder Coat
 Faceplate Material: Aluminum - 5052
 Overlay Material: Polycarbonate
 Temperature Range: -55°C to +85°C at rated current
 CTI Switch Life Cycles: 10,000,000
 Current Rating: 5 amps @ 30vDC

CTI PART# : CTI-2021267



Spare Replacment Components For Part # **CTI-2021267**

Handle Part #: **69-960105-01**
 Faceplate: **65-A30323-07**
 Switches 1-6: **32-P-A91113-01**

Seals 1- 6: **33-BPB-589**
 Trigger Switches 1-3: **32-P-A91113-01**
 Trigger Seals 1-3: **33-BPB-589**
 Cable Harness: **76-CA-NQ1520-6SW3T-10**



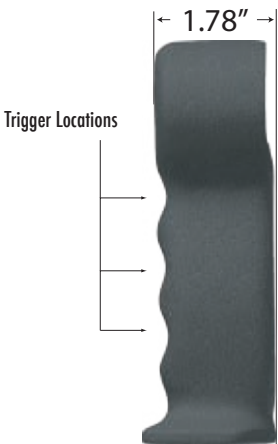
1201-RB HANDY-GRIP®

6 Pushbutton + 3 Triggers w/Caps



Product shown without cable harness for clarity

GENERAL DIMENSIONS



Product shown without switches for clarity

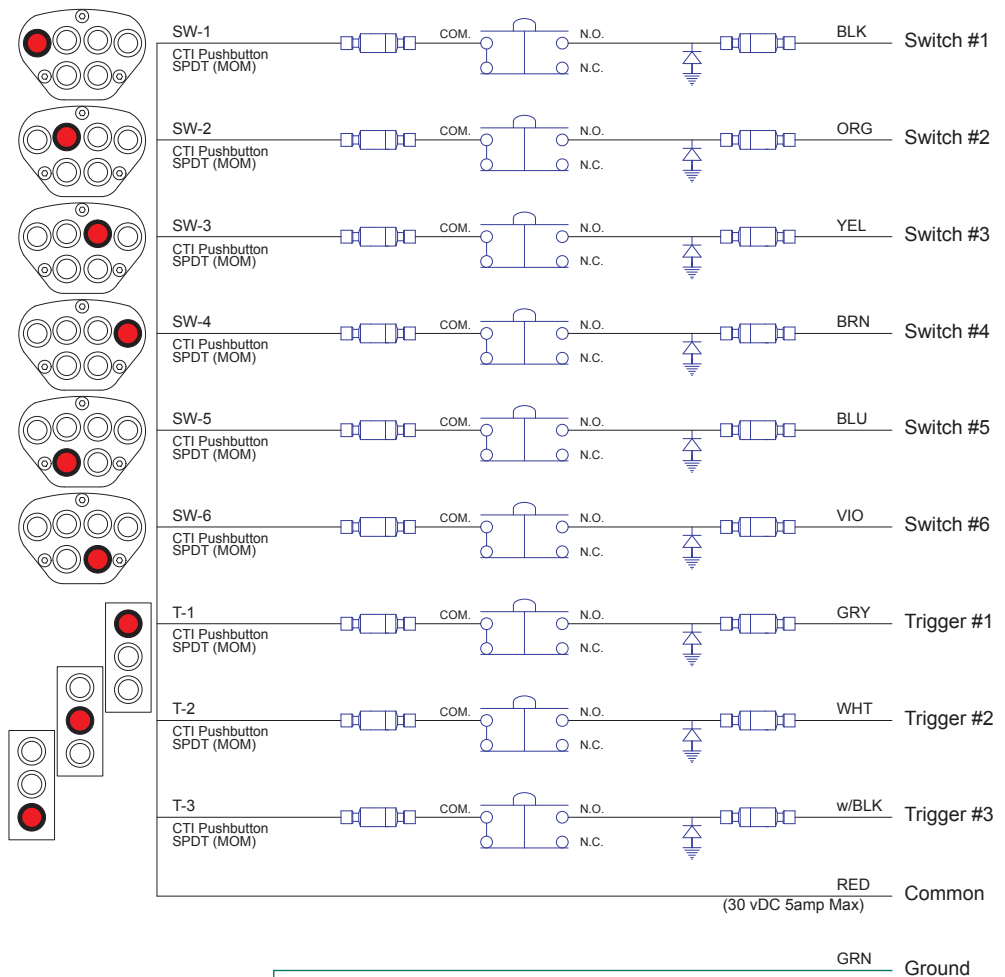
Control Unit Features:

Switches 1-6: SPDT Mom Pushbutton Switch With Red Seal Caps
 Trigger 1-3: SPDT Mom Pushbutton Switch With Red Seal Cap
 Standard CTI Overlay
 10 Ft Cable
 1/2 NPT Mounting Thread With Locking Setscrew
 Diode Protected

General Information:

Control Handle Material: Aluminum
 Finish: Black Powder Coat
 Faceplate Material: Aluminum - 5052
 Overlay Material: Polycarbonate
 Temperature Range: -55°C to +85°C at rated current
 CTI Switch Life Cycles: 10,000,000
 Current Rating: 5 amps @ 30vDC

CTI PART# : CTI-2021271



CAUTION:
 Metal Handle **MUST** Be Grounded For Safe Operation!

Spare Replacment Components For Part # **CTI-2021271**

Handle Part #: **69-960105-01**
 Faceplate: **65-A30323-07**
 Switches 1-6: **32-P-A91113-01**
 Seals 1-6: **76-010321-01**

Trigger 1-3 Switch: **32-P-A91113-01**
 Trigger 1-3 Seal: **76-010321-01**
 Cable Harness: **76-CA-NQ1520-6SW3T-10**

