

CTI

Industrial Control Solutions

1801-RB



a commitment to intergrated engineering & design

Cyber-Tech, Inc.
7943 SW Cirrus Dr
Beaverton, Oregon 97008

www.cyber-tech.net

PO Box 23801
Portland, Oregon 97281

1.800.621.8754

503.620.2285

Fax 503.620.8580

1801-RB HANDY-GRIP®

5 Pushbutton w/Boots

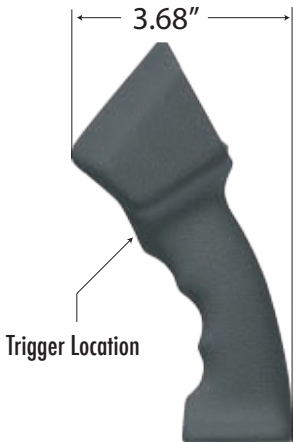


Product shown without cable harness for clarity

GENERAL DIMENSIONS



1/2 NPT
Mounting Thread



Product shown without switches for clarity

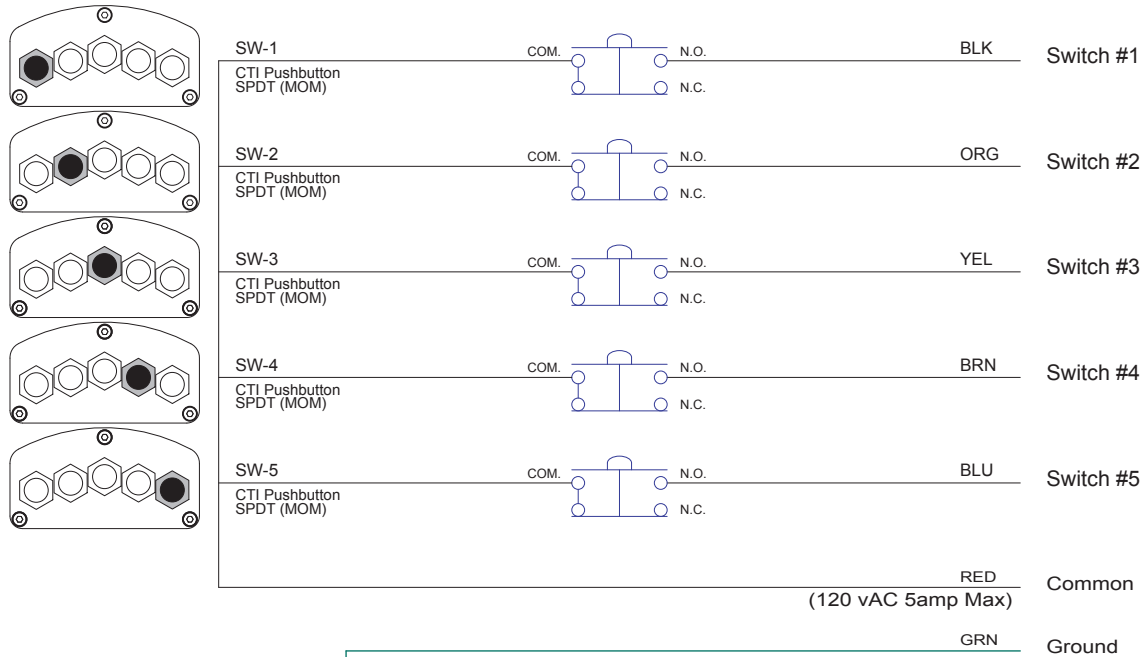
Control Unit Features:

Switches 1- 5: SPDT Mom Pushbutton Switch With Black/Chrome Seal Boots
 Standard CTI Overlay
 10 Ft Cable
 1/2 NPT Mounting Thread With Locking Setscrew

General Information:

Control Handle Material: Aluminum
 Finish: Black Powder Coat
 Faceplate Material: Aluminum - 5052
 Overlay Material: Polycarbonate
 Temperature Range: -55°C to +85°C at rated current
 CTI Switch Life Cycles: 10,000,000
 Current Rating: 5 amps @ 120vAC

CTI PART# : CTI-2021229



CAUTION:
 Metal Handle **MUST** Be Grounded For Safe Operation!

Spare Replacment Components For Part # **CTI-2021229**

Handle Part #: **69-B61931-01**
 Faceplate: **65-A61931-05**
 Switches 1-5: **32-P-A60215-01**
 Seals 1- 5: **33-BPB-589**
 Cable Harness: **22-C-NQ-920-J-11**



1801-RB HANDY-GRIP®

5 Pushbutton w/Caps

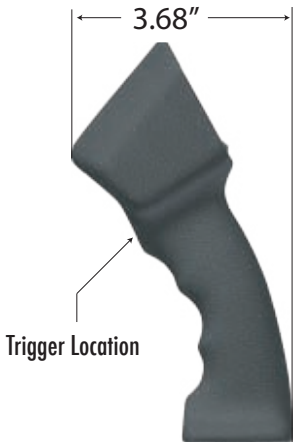


Product shown without cable harness for clarity

GENERAL DIMENSIONS



1/2 NPT
Mounting Thread



Product shown without switches for clarity

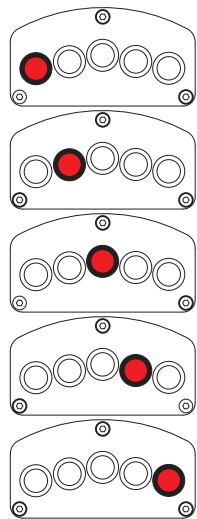
Control Unit Features:

- Switches 1- 5: SPDT Mom Pushbutton Switch With Red Seal Caps
- Standard CTI Overlay
- 10 Ft Cable
- 1/2 NPT Mounting Thread With Locking Setscrew

General Information:

- Control Handle Material: Aluminum
- Finish: Black Powder Coat
- Faceplate Material: Aluminum - 5052
- Overlay Material: Polycarbonate
- Temperature Range: -55°C to +85°C at rated current
- CTI Switch Life Cycles: 10,000,000
- Current Rating: 5 amps @ 120vAC

CTI PART# : CTI-2021226



SW-1 CTI Pushbutton SPDT (MOM)	COM.	N.O.	BLK	Switch #1
SW-2 CTI Pushbutton SPDT (MOM)	COM.	N.O.	ORG	Switch #2
SW-3 CTI Pushbutton SPDT (MOM)	COM.	N.O.	YEL	Switch #3
SW-4 CTI Pushbutton SPDT (MOM)	COM.	N.O.	BRN	Switch #4
SW-5 CTI Pushbutton SPDT (MOM)	COM.	N.O.	BLU	Switch #5
			RED	Common
			(120 vAC 5amp Max)	
			GRN	Ground



CAUTION:
Metal Handle **MUST** Be Grounded For Safe Operation!

Spare Replacment Components For Part # **CTI-2021226**

- Handle Part #: **69-B61931-01**
- Faceplate: **65-A61931-05**
- Switches 1-5: **32-P-A60215-01**
- Seals 1- 5: **76-010321-01**
- Cable Harness: **22-C-NQ-920-J-11**



1801-RB HANDY-GRIP

5 Pushbutton + 2 Stage Trigger w/Boots + MS Connector



Control Unit Features:

Switches 1- 5: SPDT Mom Pushbutton Switch With Red Seal Caps
 Trigger 1: SPDT Mom 2 Stage Pushbutton Switch With Red Seal Caps
 Standard CTI Overlay
 1/2 NPT Mounting Thread With Locking Setscrew
 24 Pin MS Connector

General Information:

Control Handle Material: Aluminum
 Finish: Black Powder Coat
 Faceplate Material: Aluminum - 5052
 Overlay Material: Polycarbonate
 Temperature Range: -55°C to +85°C at rated current
 CTI Switch Life Cycles: 10,000,000
 Current Rating: 5 amps @ 120vAC

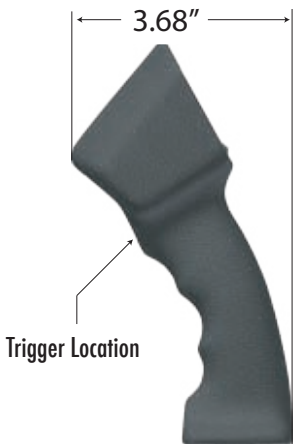
CTI PART# : CTI-2021231

Product shown without cable harness for clarity

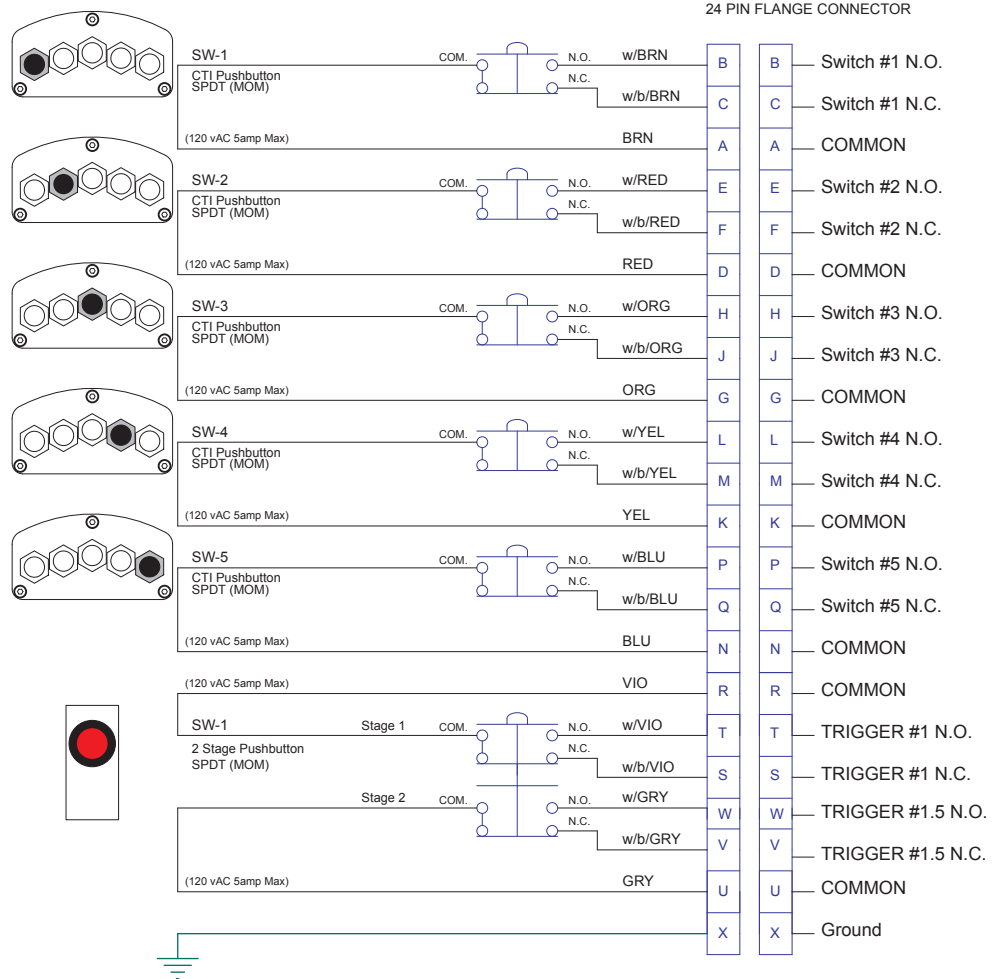
GENERAL DIMENSIONS



1/2 NPT
Mounting Thread



Product shown without switches for clarity



CAUTION:
 Metal Handle **MUST** Be Grounded For Safe Operation!

Spare Replacment Components For Part # **CTI-2021231**

Handle Part #: **69-020172-01**
 Faceplate: **65-A61931-05**
 Switches 1-5: **32-P-A60215-01**
 Seals 1- 5: **33-BPB-589**

Trigger 1: **32-P-4-20002-01**
 Trigger 1 Seal: **N/A**
 Cable Harness: **22-C-NQ-2720-J-1**
 Connector: **28-MS-3102R24-28FP**



1801-RB HANDY-GRIP

5 Pushbutton + 2 Stage Trigger w/Caps With MS Connector

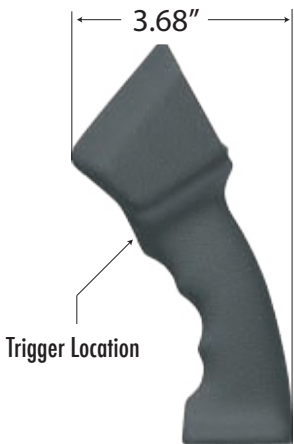


Product shown without cable harness for clarity

GENERAL DIMENSIONS



1/2 NPT
Mounting Thread



Trigger Location

Product shown without switches for clarity

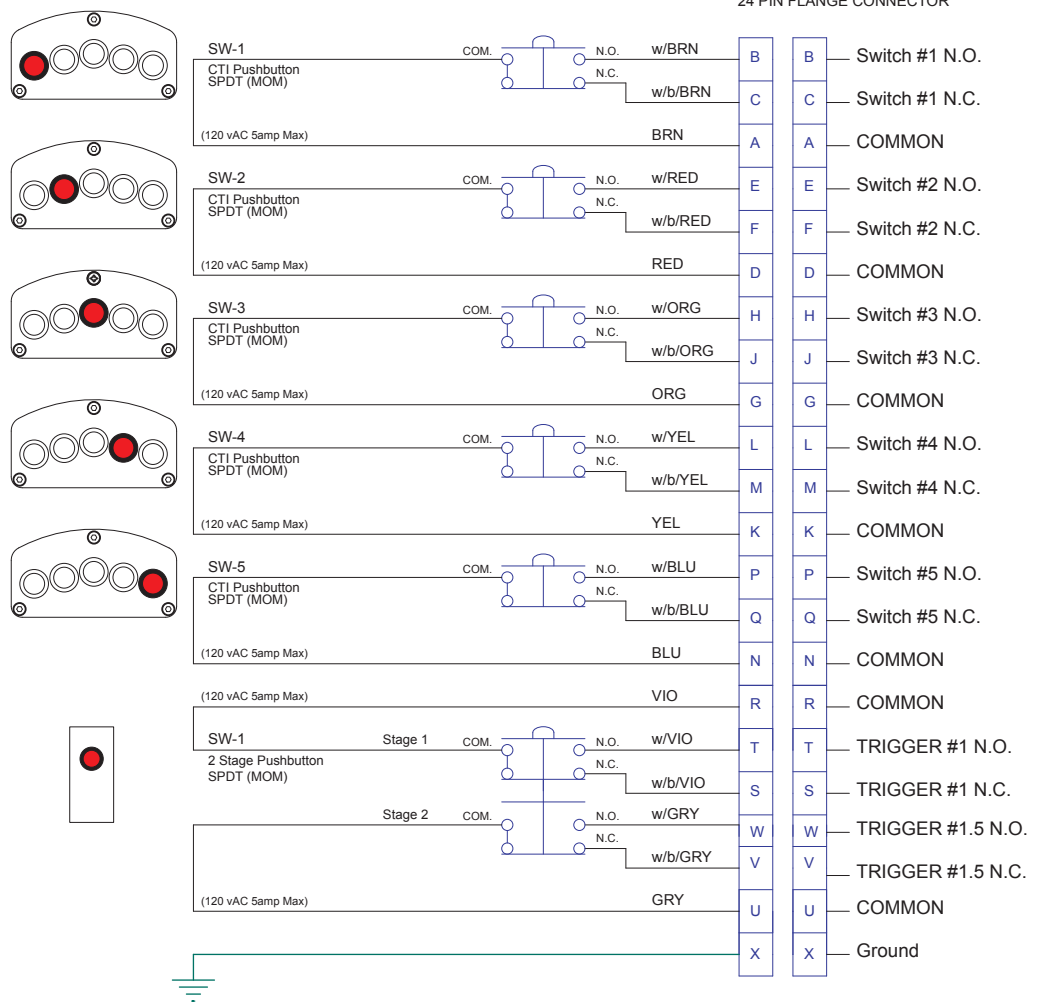
Control Unit Features:

Switches 1- 5: SPDT Mom Pushbutton Switch With Red Seal Caps
 Trigger 1: SPDT Mom 2 Stage Pushbutton Switch With Red Seal Caps
 Standard CTI Overlay
 1/2 NPT Mounting Thread With Locking Setscrew
 24 Pin MS Connector

General Information:

Control Handle Material: Aluminum
 Finish: Black Powder Coat
 Faceplate Material: Aluminum - 5052
 Overlay Material: Polycarbonate
 Temperature Range: -55°C to +85°C at rated current
 CTI Switch Life Cycles: 10,000,000
 Current Rating: 5 amps @ 120vAC

CTI PART# : CTI-2021230



CAUTION:
Metal Handle MUST Be Grounded For Safe Operation!

Spare Replacment Components For Part # CTI-2021230

Handle Part #: 69-B020172-01
 Faceplate: 65-A61931-05
 Switches 1-5: 32-P-A60215-01
 Seals 1- 5: 76-010321-01

Trigger 1: 32-P-4-20002-01
 Trigger 1 Seal: N/A
 Cable Harness: 22-C-NQ-2720-J-1
 Connector: 28-MS-3102R24-28FP



1801-RB HANDY-GRIP®

5 Pushbutton + Trigger w/Boots

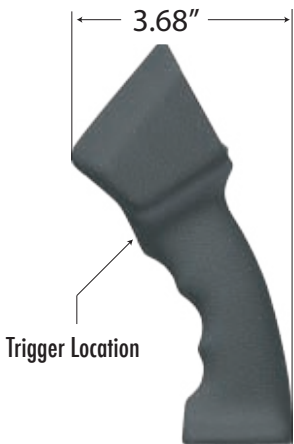


Product shown without cable harness for clarity

GENERAL DIMENSIONS



1/2 NPT
Mounting Thread



Product shown without switches for clarity

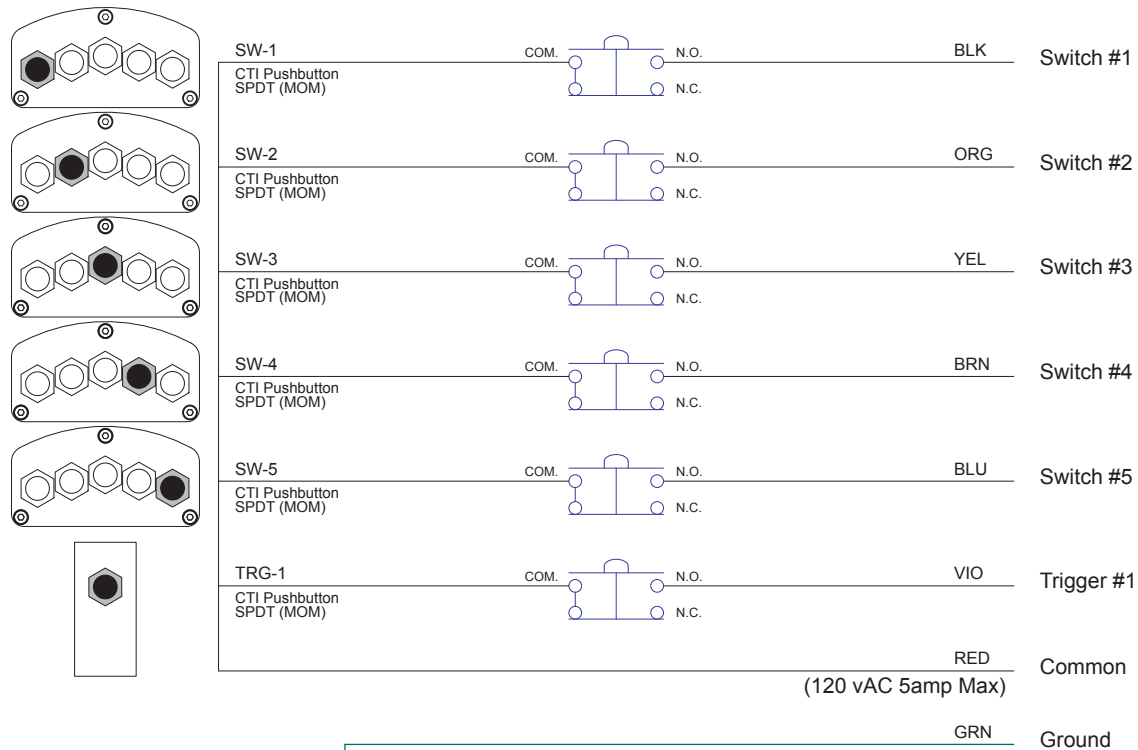
Control Unit Features:

Switches 1- 5: SPDT Mom Pushbutton Switch With Black/Chrome Seal Boots
 Trigger 1: SPDT Mom Pushbutton Switch With Black/Chrome Seal Boots
 Standard CTI Overlay
 10 Ft Cable
 1/2 NPT Mounting Thread With Locking Setscrew

General Information:

Control Handle Material: Aluminum
 Finish: Black Powder Coat
 Faceplate Material: Aluminum - 5052
 Overlay Material: Polycarbonate
 Temperature Range: -55°C to +85°C at rated current
 CTI Switch Life Cycles: 10,000,000
 Current Rating: 5 amps @ 120vAC

CTI PART# : CTI-2021228



CAUTION:
 Metal Handle MUST Be Grounded For Safe Operation!

Spare Replacment Components For Part # **CTI-2021228**

Handle Part #: **69-B61931-02**
 Faceplate: **65-A61931-05**
 Switches 1-5: **32-P-A60215-01**
 Seals 1- 5: **33-BPB-589**
 Trigger 1: **32-P-A60215-01**
 Trigger 1 Seal: **33-BPB-589**

Cable Harness: **22-C-NQ-920-J-11**



1801-RB HANDY-GRIP®

5 Pushbutton + Trigger w/Caps

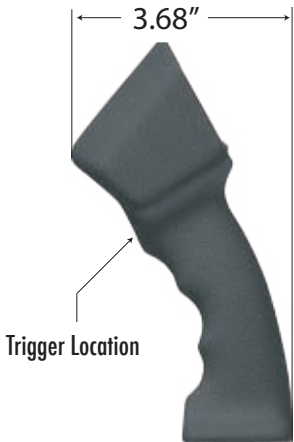


Product shown without cable harness for clarity

GENERAL DIMENSIONS



1/2 NPT
Mounting Thread



Product shown without switches for clarity

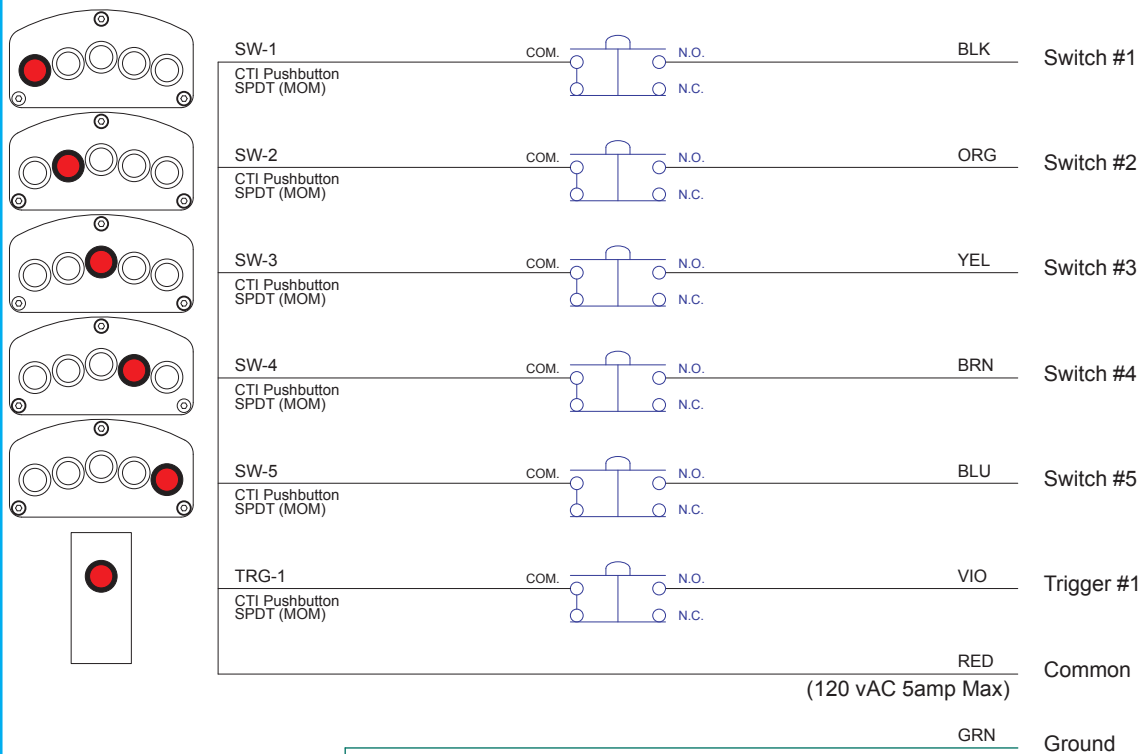
Control Unit Features:

- Switches 1- 5: SPDT Mom Pushbutton Switch With Red Seal Caps
- Trigger 1: SPDT Mom Pushbutton Switch With Red Seal Caps
- Standard CTI Overlay
- 10 Ft Cable
- 1/2 NPT Mounting Thread With Locking Setscrew

General Information:

- Control Handle Material: Aluminum
- Finish: Black Powder Coat
- Faceplate Material: Aluminum - 5052
- Overlay Material: Polycarbonate
- Temperature Range: -55°C to +85°C at rated current
- CTI Switch Life Cycles: 10,000,000
- Current Rating: 5 amps @ 120vAC

CTI PART# : CTI-2021227



CAUTION:
Metal Handle **MUST** Be Grounded For Safe Operation!

Spare Replacment Components For Part # **CTI-2021227**

- Handle Part #: **69-B61931-02**
- Faceplate: **65-A61931-05**
- Switches 1-5: **32-P-A60215-01**
- Seals 1- 5: **76-010321**
- Trigger 1: **32-P-A60215-01**
- Trigger 1 Seal: **76-010321**

Cable Harness: **22-C-NQ-920-J-11**



1801-RB HANDY-GRIP®

5 Pushbutton w/Boots

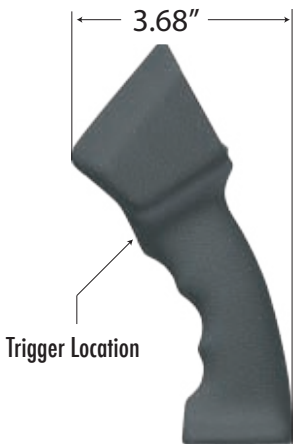


Product shown without cable harness for clarity

GENERAL DIMENSIONS



1/2 NPT
Mounting Thread



Product shown without switches for clarity

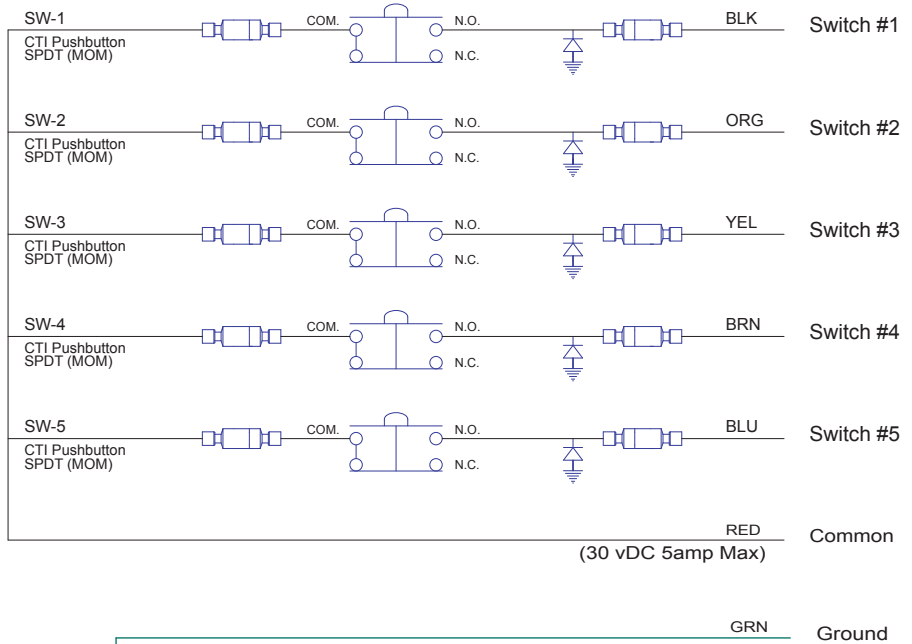
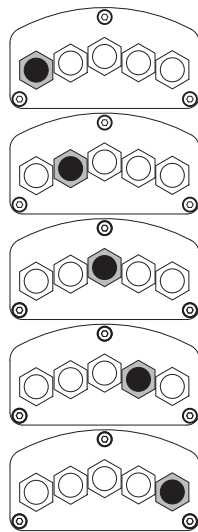
Control Unit Features:

Switches 1- 5: SPDT Mom Pushbutton Switch With Black/Chrome Seal Boots
 Standard CTI Overlay
 10 Ft Cable
 1/2 NPT Mounting Thread With Locking Setscrew
 Diode Protected

General Information:

Control Handle Material: Aluminum
 Finish: Black Powder Coat
 Faceplate Material: Aluminum - 5052
 Overlay Material: Polycarbonate
 Temperature Range: -55°C to +85°C at rated current
 CTI Switch Life Cycles: 10,000,000
 Current Rating: 5 amps @ 30vDC

CTI PART# : CTI-2021245



CAUTION:
 Metal Handle **MUST** Be Grounded For Safe Operation!

Spare Replacment Components For Part # **CTI-2021245**

Handle Part #: **69-B61931-01**
 Faceplate: **65-A61931-05**
 Switches 1-5: **32-P-A91113-01**
 Seals 1- 5: **33-BPB-589**
 Cable Harness: **76-CA-NQ920-5SW0T-10**



1801-RB HANDY-GRIP®

5 Pushbutton w/Caps

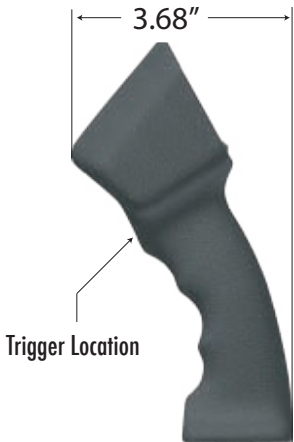


Product shown without cable harness for clarity

GENERAL DIMENSIONS



1/2 NPT
Mounting Thread



Product shown without switches for clarity

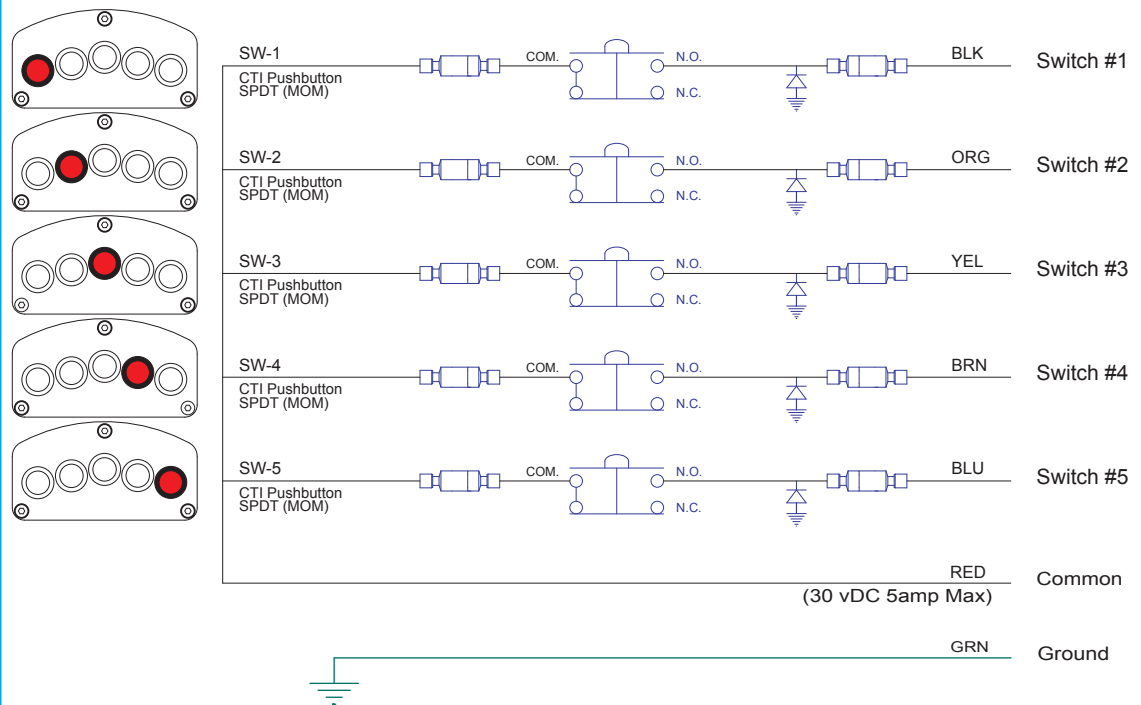
Control Unit Features:

Switches 1- 5: SPDT Mom Pushbutton Switch With Red Seal Caps
 Standard CTI Overlay
 10 Ft Cable
 1/2 NPT Mounting Thread With Locking Setscrew
 Diode Protected

General Information:

Control Handle Material: Aluminum
 Finish: Black Powder Coat
 Faceplate Material: Aluminum - 5052
 Overlay Material: Polycarbonate
 Temperature Range: -55°C to +85°C at rated current
 CTI Switch Life Cycles: 10,000,000
 Current Rating: 5 amps @ 30vDC

CTI PART# : CTI-2021247



Spare Replacment Components For Part # **CTI-2021247**

Handle Part #: **69-B61931-01**
 Faceplate: **65-A61931-05**
 Switches 1-5: **32-P-A91113-01**
 Seals 1- 5: **76-010321-01**
 Cable Harness: **76-CA-NQ920-5SW0T-10**



1801-RB HANDY-GRIP®

5 Pushbutton + 2 Stage Trigger w/Boots + MS Connector



Control Unit Features:

Switches 1- 5: SPDT Mom Pushbutton Switch With Red Seal Caps
 Trigger 1: SPDT Mom 2 Stage Pushbutton Switch With Red Seal Caps
 Standard CTI Overlay
 1/2 NPT Mounting Thread With Locking Setscrew
 24 Pin MS Connector

General Information:

Control Handle Material: Aluminum
 Finish: Black Powder Coat
 Faceplate Material: Aluminum - 5052
 Overlay Material: Polycarbonate
 Temperature Range: -55°C to +85°C at rated current
 CTI Switch Life Cycles: 10,000,000
 Current Rating: 5 amps @ 30vDC

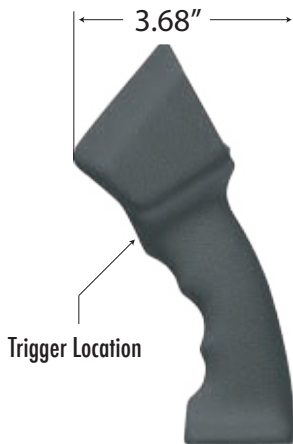
CTI PART# : CTI-2021250

Product shown without cable harness for clarity

GENERAL DIMENSIONS

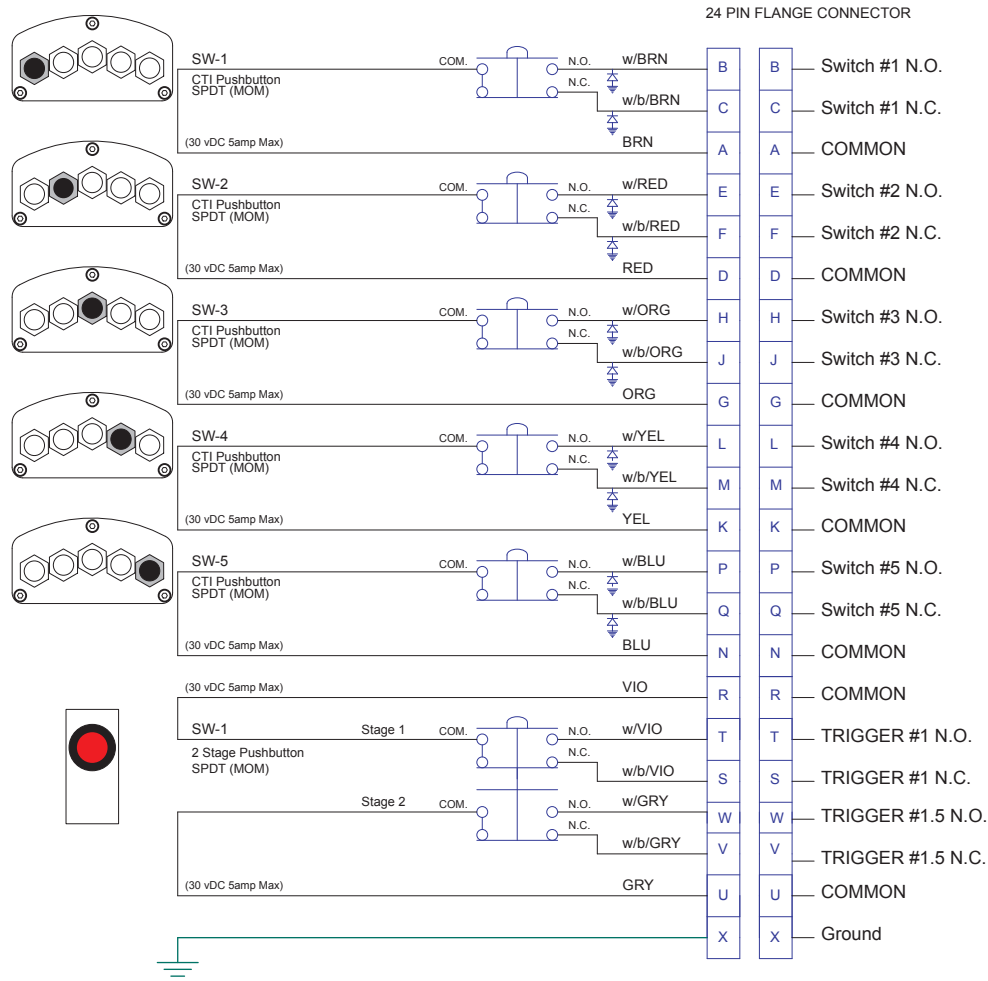


1/2 NPT
Mounting Thread



Product shown without switches for clarity

Document Date: 05-12-2005



CAUTION:
Metal Handle **MUST** Be Grounded For Safe Operation!

Spare Replacment Components For Part # **CTI-2021250**

Handle Part #: **69-070172-01**
 Faceplate: **65-A61931-05**
 Switches 1-5: **32-P-A92231-01**
 Seals 1- 5: **33-BPB-589**

Trigger 1: **32-P-4-20002-01**
 Trigger 1 Seal: **N/A**
 Cable Harness: **22-C-NQ-2720-J-1**
 Connector: **28-MS-3102R24-28FP**

www.cyber-tech.net

1-800-621-8754

"a commitment to interegrated engineering & design"

Made in USA



1801-RB HANDY-GRIP

5 Pushbutton + 2 Stage Trigger w/Caps With MS Connector

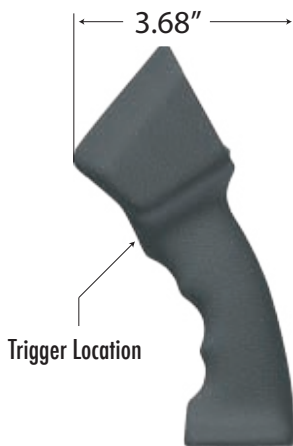


Product shown without cable harness for clarity

GENERAL DIMENSIONS



1/2 NPT
Mounting Thread



Product shown without switches for clarity

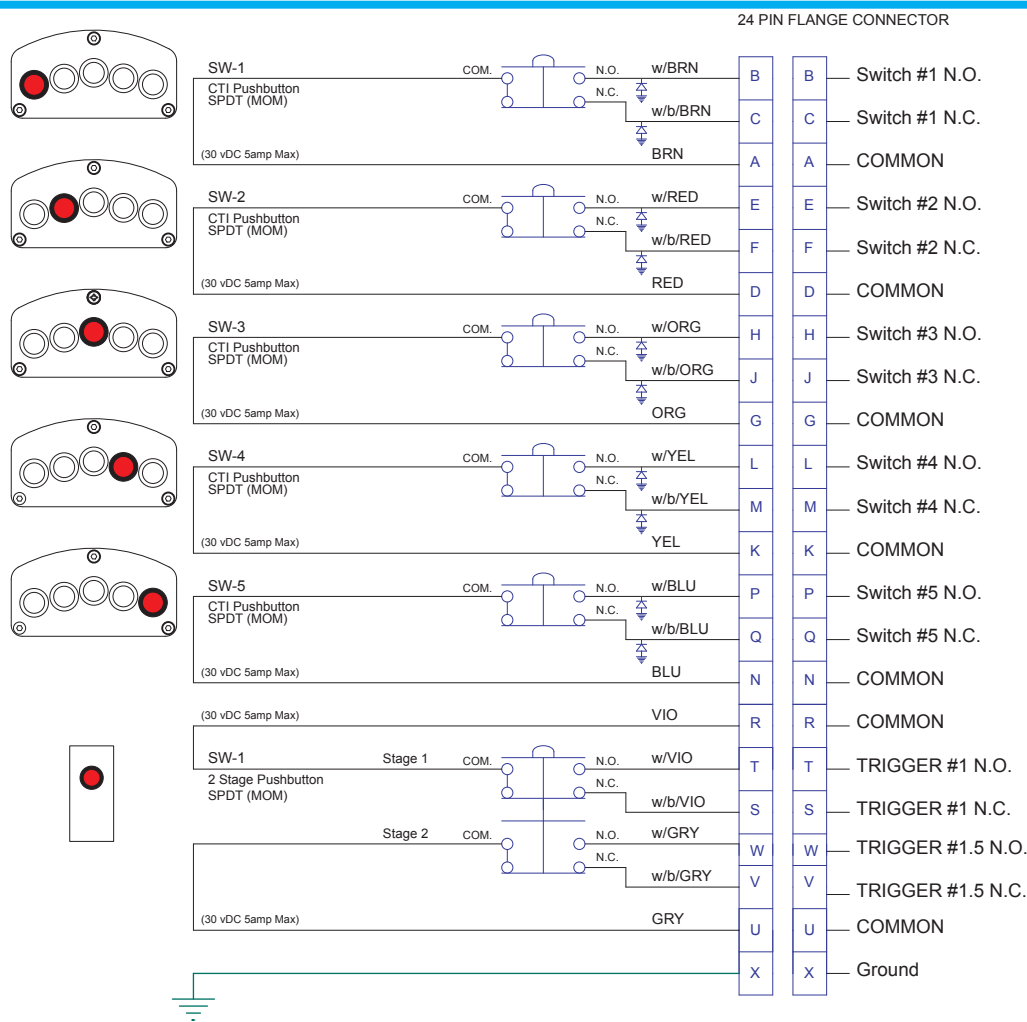
Control Unit Features:

Switches 1- 5: SPDT Mom Pushbutton Switch With Red Seal Caps
 Trigger 1: SPDT Mom 2 Stage Pushbutton Switch With Red Seal Caps
 Standard CTI Overlay
 1/2 NPT Mounting Thread With Locking Setscrew
 24 Pin MS Connector

General Information:

Control Handle Material: Aluminum
 Finish: Black Powder Coat
 Faceplate Material: Aluminum - 5052
 Overlay Material: Polycarbonate
 Temperature Range: -55°C to +85°C at rated current
 CTI Switch Life Cycles: 10,000,000
 Current Rating: 5 amps @ 30vDC

CTI PART# : CTI-2021249



CAUTION:
 Metal Handle **MUST** Be Grounded For Safe Operation!

Spare Replacment Components For Part # **CTI-2021249**

Handle Part #: **69-020172-01**
 Faceplate: **65-A61931-05**
 Switches 1-5: **32-P-92231-01**
 Seals 1- 5: **76-010321-01**

Trigger 1: **32-P-4-20002-01**
 Trigger 1 Seal: **N/A**
 Cable Harness: **22-C-NQ-2720-J-1**
 Connector: **28-MS-3102R24-28FP**



1801-RB HANDY-GRIP®

5 Pushbutton + Trigger w/Boots

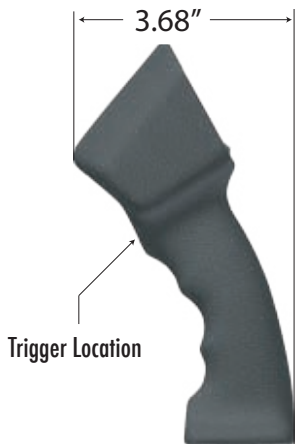


Product shown without cable harness for clarity

GENERAL DIMENSIONS



1/2 NPT
Mounting Thread



Product shown without switches for clarity

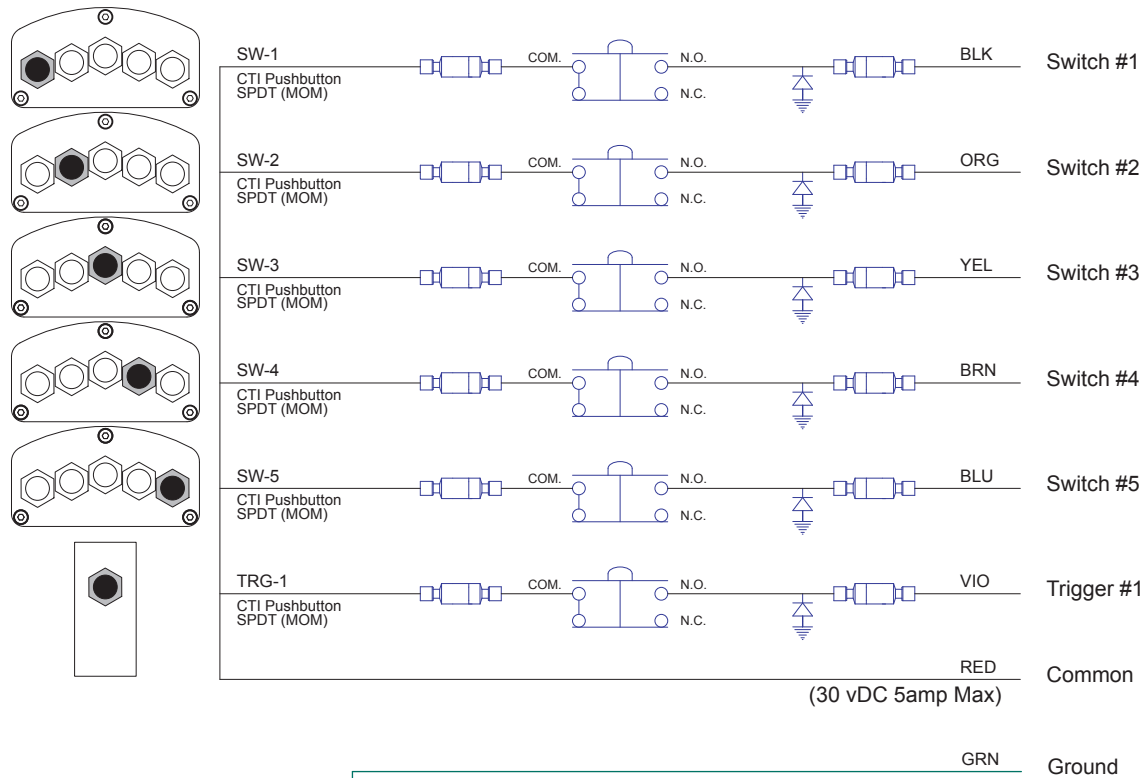
Control Unit Features:

Switches 1- 5: SPDT Mom Pushbutton Switch With Black/Chrome Seal Boots
 Trigger 1: SPDT Mom Pushbutton Switch With Black/Chrome Seal Boots
 Standard CTI Overlay
 10 Ft Cable
 1/2 NPT Mounting Thread With Locking Setscrew
 Diode Protected

General Information:

Control Handle Material: Aluminum
 Finish: Black Powder Coat
 Faceplate Material: Aluminum - 5052
 Overlay Material: Polycarbonate
 Temperature Range: -55°C to +85°C at rated current
 CTI Switch Life Cycles: 10,000,000
 Current Rating: 5 amps @ 30vDC

CTI PART# : CTI-2021246



CAUTION:
 Metal Handle **MUST** Be Grounded For Safe Operation!

Spare Replacment Components For Part # **CTI-2021246**

Handle Part #: **69-B61931-02**
 Faceplate: **65-A61931-05**
 Switches 1-5: **32-P-A91113-01**
 Seals 1- 5: **33-BPB-589**
 Trigger 1: **32-P-A91113-01**
 Trigger 1 Seal: **33-BPB-589**

Cable Harness: **76-CA-NQ920-5SW1T-10**



1801-RB HANDY-GRIP®

5 Pushbutton + Trigger w/Caps

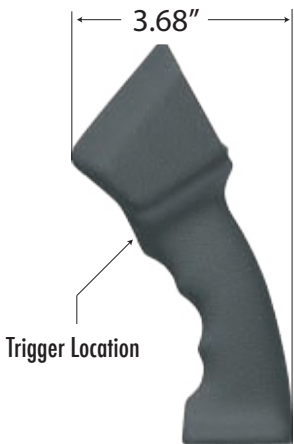


Product shown without cable harness for clarity

GENERAL DIMENSIONS



1/2 NPT
Mounting Thread



Product shown without switches for clarity

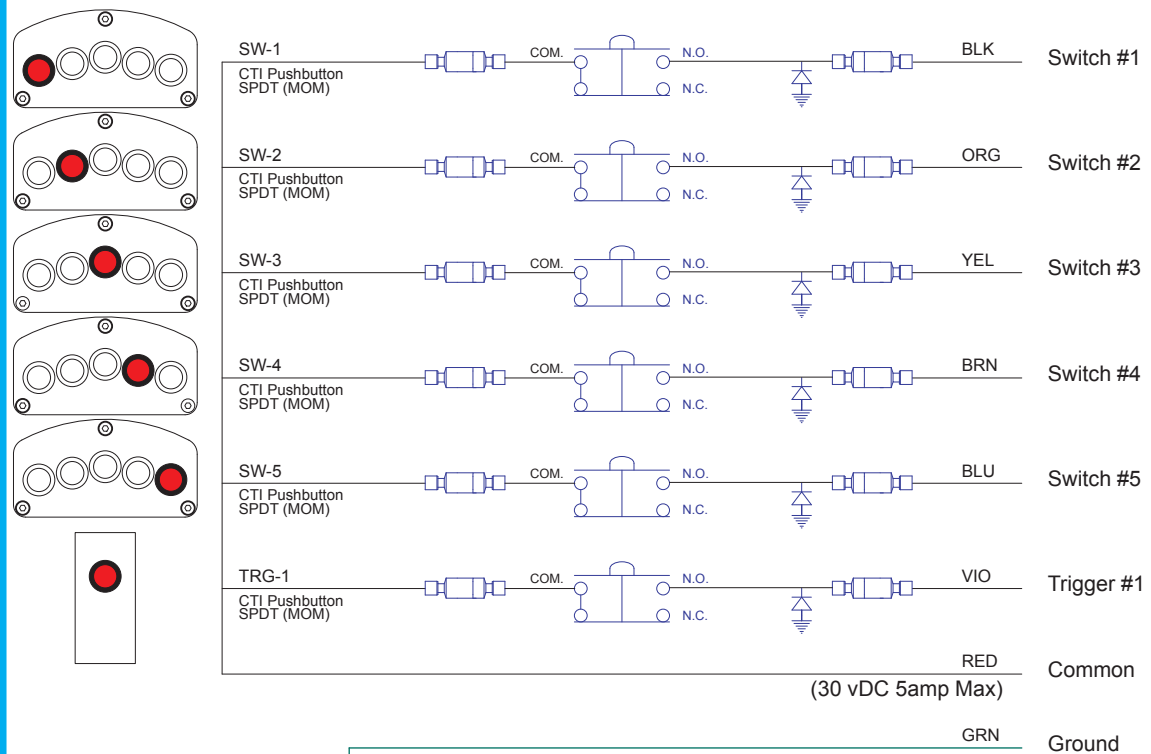
Control Unit Features:

Switches 1- 5: SPDT Mom Pushbutton Switch With Red Seal Caps
 Trigger 1: SPDT Mom Pushbutton Switch With Red Seal Caps
 Standard CTI Overlay
 10 Ft Cable
 1/2 NPT Mounting Thread With Locking Setscrew

General Information:

Control Handle Material: Aluminum
 Finish: Black Powder Coat
 Faceplate Material: Aluminum - 5052
 Overlay Material: Polycarbonate
 Temperature Range: -55°C to +85°C at rated current
 CTI Switch Life Cycles: 10,000,000
 Current Rating: 5 amps @ 30vDC

CTI PART# : CTI-2021248



CAUTION:
 Metal Handle MUST Be Grounded For Safe Operation!

Spare Replacment Components For Part # **CTI-2021248**

Handle Part #: **69-B61931-02**
 Faceplate: **65-A61931-05**
 Switches 1-5: **32-P-A91113-01**
 Seals 1- 5: **76-010321**
 Trigger 1: **32-P-A91113-01**
 Trigger 1 Seal: **76-010321**

Cable Harness: **76-CA-NQ920-5SW1T-10**

