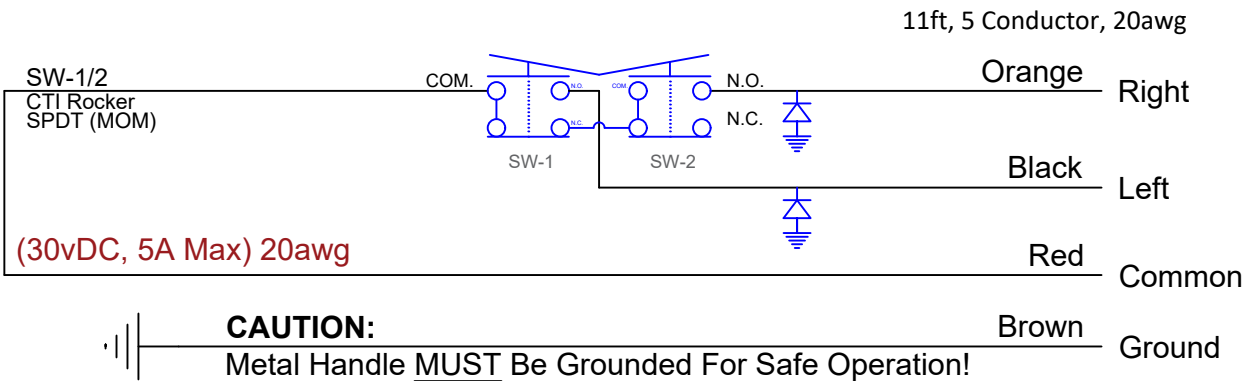
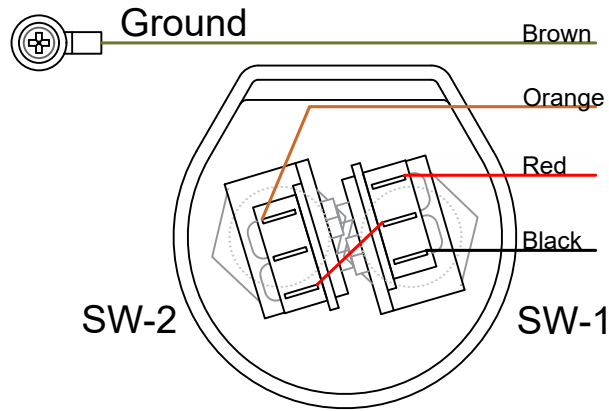
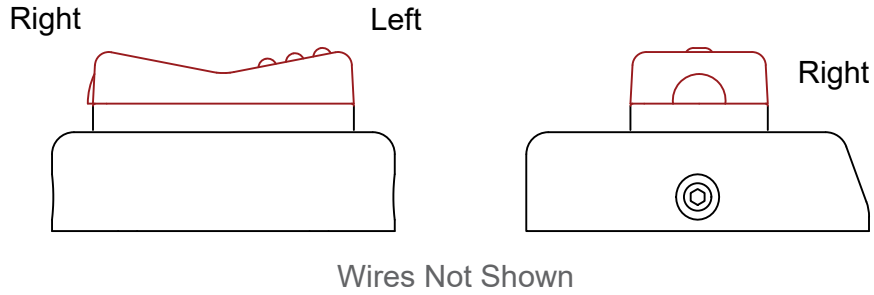


Configuration

- Top Cap: 301-RB Aluminum
- Cable: 11ft, 5 Conductor, 20awg
- Switches: 2x 32-P-A92231-01, CTI Pushbutton, SPDT (mom) DC
- Switch Seal: 1x 76-010235-01, CTI Rocker Cap w/Seal, Red
- Screws: 2x Screw, 4-40 x 1/4, Flat Head, Black



Cyber-Tech, Inc. P.O Box 23801 Portland, Or 97281-3801 1.800.621.8754 www.cyber-tech.net	301-RB Top Cap wired with 2xPushbuttons (Rocker)			
	Schematic Diagram			
SIZE A	FSCM NO. 503-620-8580	DWG NO. 32-R-921122-05	REV	
SCALE	D DOWERS	SHEET	1 OF 1	