

CTI-TW THUMBWHEEL SENSOR

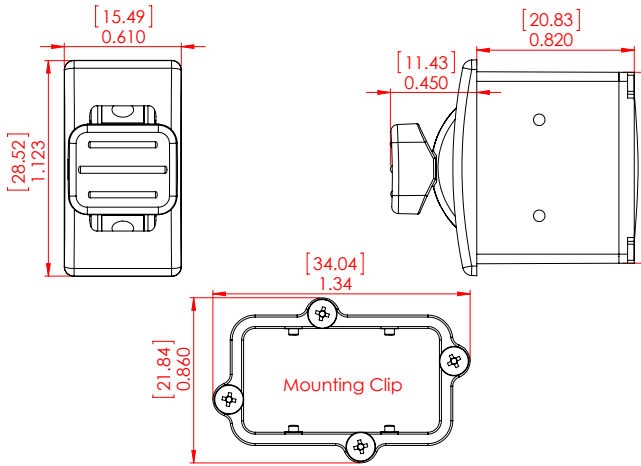
The CTI-TW Hall Effect Thumbwheel utilizes sealed Non-contacting Hall effect sensors in a polyamide housing. This small and ruggedized thumbwheel is ideally suited for tight clearances in compact control grips and panels. Resistant to vibration, shock, and extremes of temperatures typically found in mobile machine environments. The CTI-TW Hall Effect Thumbwheel offers maintenance free reliable long term use.

These thumbwheels are available in three mechanical configurations: Spring Return to Center, Spring Return to Side and Friction Hold. These configurations are available in three electrical output styles: (0.5 - 4.5vDC), (1.0 - 4.0vDC) and (0.0 - 5.0vDC) signal outputs. Regardless of the configuration all the CTI-TW Hall Effect Thumbwheels come prewired with 4 inch long leads.

For additional custom configurations and outputs please contact us at 1.800.621.8754 or sales@cyber-tech.net



Mounting Clip Color May Vary



Specifications	
Power Supply	
Supply Voltage:	5vDC ±0.5vDC
Current Draw:	11mA
Output Voltage	
Maximum Output Current	+/- 15mA
Output (% of supply)	Center 50%±2%, Min/Max output% ±4%
Environmental	
Operating Temperature	-40°C to 85°C (-40°F to 185 °F)
Ingress Protection	Mechanical: IP-54
Ingress Protection	Internal Electronics IP-67
Standard Wiring	
Lead Length	4 Inches Wires

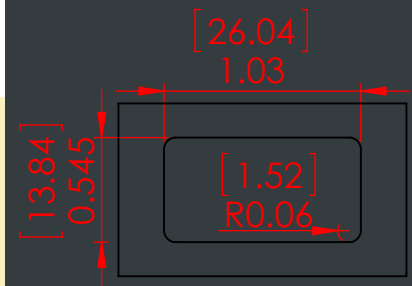
Wiring	Function
Black:	Ground
Red:	Power 5.00vDC
White:	Output Signal

Ordering Guide	
32-TW-[1][A][0][0][0][0][0]	
Spring Style	Proportional Output
Cap Color*	Wheel Center Color*
Wheel Side Color*	Body Color*
Spring Style	
[1] Spring Return to Center	
[2] Spring Return to Side	
[3] Friction Hold	
Proportional Output	
[A] 0.5v-2.5v-4.5v (10%-50%-90%)	
[B] 1.0v-2.5v-4.0v (20%-50%-80%)	
[C] 0.0v-2.5v-5.0v (0%-50%-100%)	
Colors:	
[0] Black	[4] Marigold
[1] Red	[5] Green
[2] Dusk	[6] Orange
[3] Gray	[x] None
*not all colors available	

FEATURES

- Non-contacting Hall Effect Sensing Technology
- 100° Travel (+/-50° from Center)
- Multiple Centering Options
- Three Electrical Output Options
0.5 to 4.5vDC (10%-50%-90%)
1.0 to 4.0vDC (20%-50%-80%)
0.0 to 5.0vDC (0%-50%-100%)
- Sealed Electronics
- Outputs Factory Calibrated
- Very Low Power Consumption
- Operating Life tested up to 4 Million Cycles

Panel Cutout



1.800.621.8754
503.620.2285
Fax: 503.620.8580
sales@cyber-tech.net

www.cyber-tech.net
Established 1982