

CTI

Industrial Control Solutions

8501-RB



a commitment to intergrated engineering & design

Cyber-Tech, Inc.
7943 SW Cirrus Dr
Beaverton, Oregon 97008

www.cyber-tech.net

PO Box 23801
Portland, Oregon 97281

1.800.621.8754

503.620.2285

Fax 503.620.8580

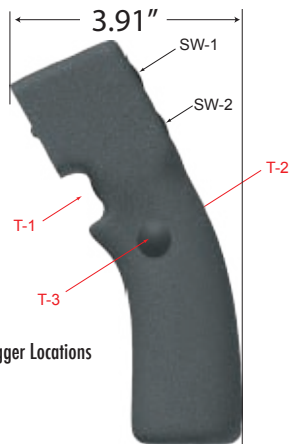
8501-RB HANDY-GRIP®

2 Pushbutton + 2 Triggers w/Caps



Product shown without cable harness for clarity

GENERAL DIMENSIONS



Product shown without switches for clarity

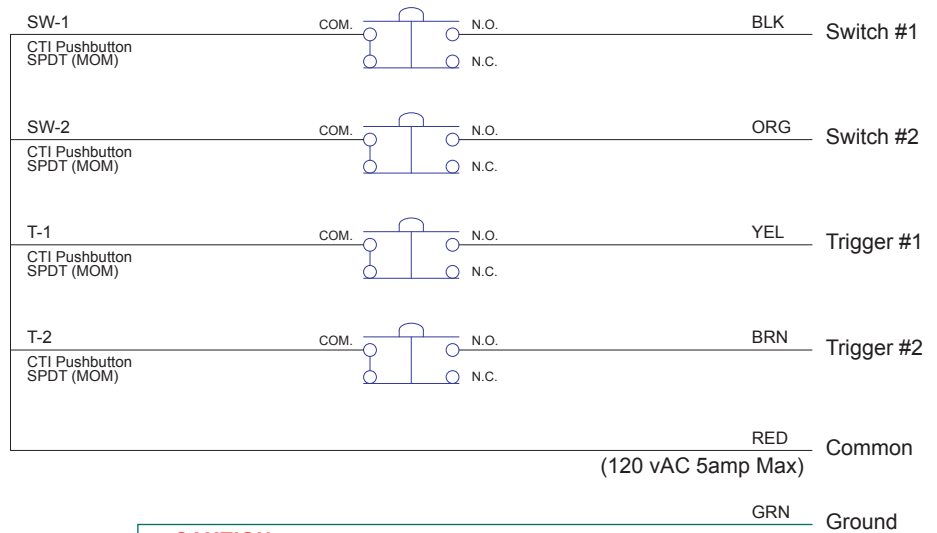
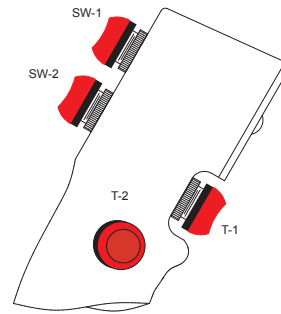
Control Unit Features:

- Switches 1-2: SPDT Mom Pushbutton Switch With Red Seal Caps
- Trigger T1-T2: SPDT Mom Pushbutton Switch With Red Seal Caps
- Trigger T3: Sealed Black Nylon Hole Plug
- 10 Ft Cable
- 1/2 NPT Mounting Thread With Locking Setscrew
- Left Handed

General Information:

- Control Handle Material: Aluminum
- Finish: Black Powder Coat
- Temperature Range: -55°C to +85°C at rated current
- CTI Switch Life Cycles: 10,000,000
- Current Rating: 5 amps @ 120vAC

CTI PART# : CTI-2021297



CAUTION:
Metal Handle MUST Be Grounded For Safe Operation!

Spare Replacment Components For Part # **CTI-2021297**

- Handle Part #: **69-980070-01**
- Switches 1-2: **32-P-A60215-01**
- Seals 1-2: **76-010321-01**
- Trigger T1-T2: **32-P-A60215-01**
- Trigger Seal T1: **76-010321-01**
- Trigger T3: **99-HPN-1/2**

Cable Harness: **22-C-NQ920-J-11**



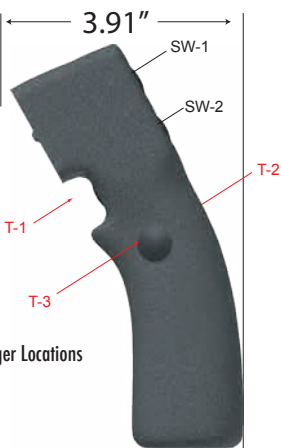
8501-RB HANDY-GRIP®

2 Pushbutton + 2 Trigger w/Caps



Product shown without cable harness for clarity

GENERAL DIMENSIONS



Product shown without switches for clarity

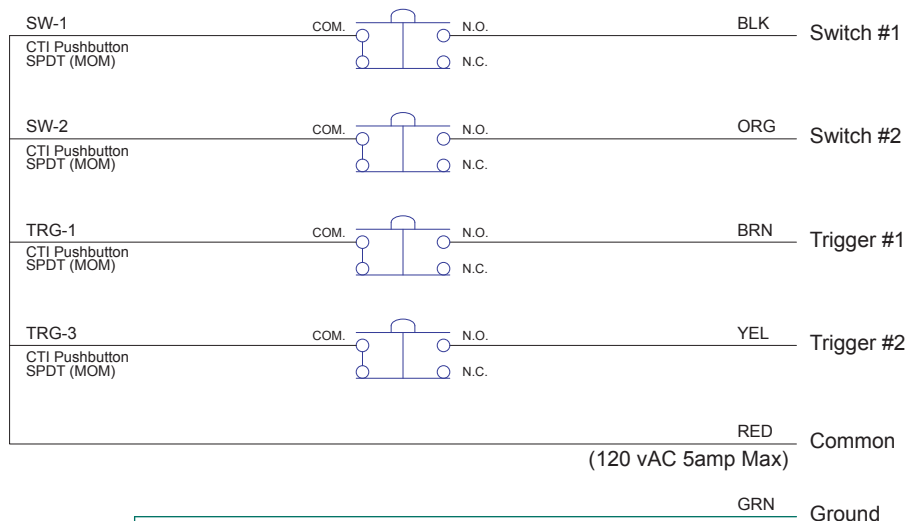
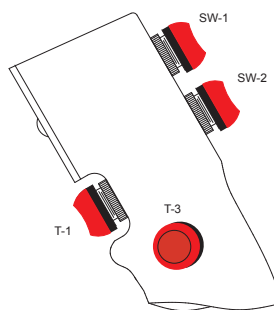
Control Unit Features:

Switches 1-2: SPDT Mom Pushbutton Switch With Red Seal Caps
 Trigger T1-T3: SPDT Mom Pushbutton Switch With Red Seal Caps
 Trigger T2: Sealed Black Nylon Hole Plug
 10 Ft Cable
 1/2 NPT Mounting Thread With Locking Setscrew
 Right Handed

General Information:

Control Handle Material: Aluminum
 Finish: Black Powder Coat
 Temperature Range: -55°C to +85°C at rated current
 CTI Switch Life Cycles: 10,000,000
 Current Rating: 5 amps @ 120vAC

CTI PART# : CTI-2021298



CAUTION:
 Metal Handle **MUST** Be Grounded For Safe Operation!

Spare Replacment Components For Part # **CTI-2021297**

Handle Part #: **69-**
 Switches 1-2: **32-P-A60215-01**
 Seals 1-2: **76-010321-01**
 Trigger T1-T3: **32-P-A60215-01**
 Trigger Seal T1: **76-010321-01**
 Trigger T2: **99-HPN-1/2**

Cable Harness: **22-C-NQ920-J-11**



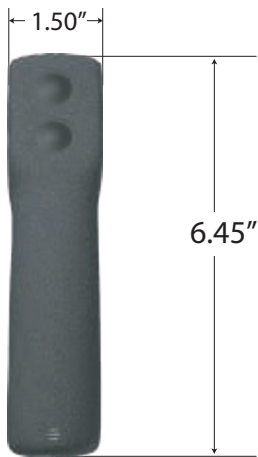
8501-RB HANDY-GRIP

2 Pushbutton + Trigger w/Caps

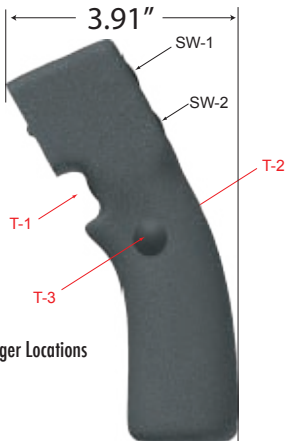


Product shown without cable harness for clarity

GENERAL DIMENSIONS



1/2 NPT
Mounting Thread



Trigger Locations

Product shown without switches for clarity

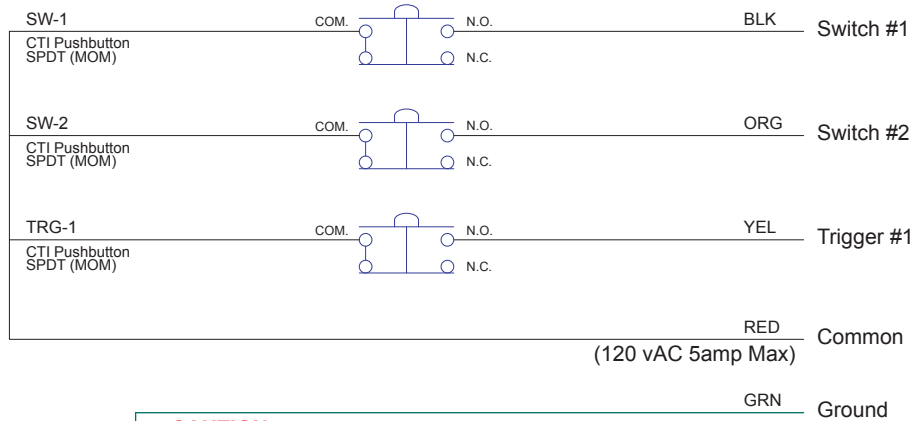
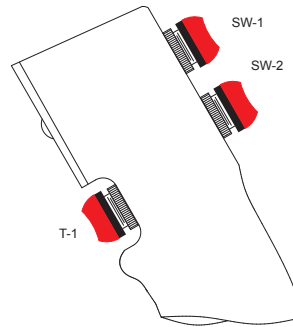
Control Unit Features:

Switches 1-2: SPDT Mom Pushbutton Switch With Red Seal Caps
 Trigger T1: SPDT Mom Pushbutton Switch With Red Seal Caps
 Trigger T2-T3: Sealed Black Nylon Hole Plug
 10 Ft Cable
 1/2 NPT Mounting Thread With Locking Setscrew

General Information:

Control Handle Material: Aluminum
 Finish: Black Powder Coat
 Temperature Range: -55°C to +85°C at rated current
 CTI Switch Life Cycles: 10,000,000
 Current Rating: 5 amps @ 120vAC

CTI PART# : CTI-2021296



CAUTION:
 Metal Handle **MUST** Be Grounded For Safe Operation!

Spare Replacment Components For Part # **CTI-CTI-2021296**

Handle Part #: **69-980070-01**
 Switches 1-2: **32-P-A60215-01**
 Seals 1-2: **76-010321-01**
 Trigger T1: **32-P-A60215-01**
 Trigger Seal T1: **76-010321-01**
 Trigger T2-T3: **99-HPN-1/2**

Cable Harness: **22-C-NQ720-J-11**



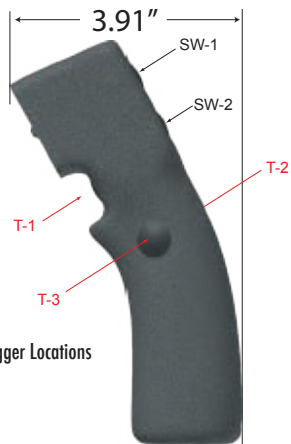
8501-RB HANDY-GRIP®

2 Pushbutton + 2 Triggers w/Caps



Product shown without cable harness for clarity

GENERAL DIMENSIONS



Product shown without switches for clarity

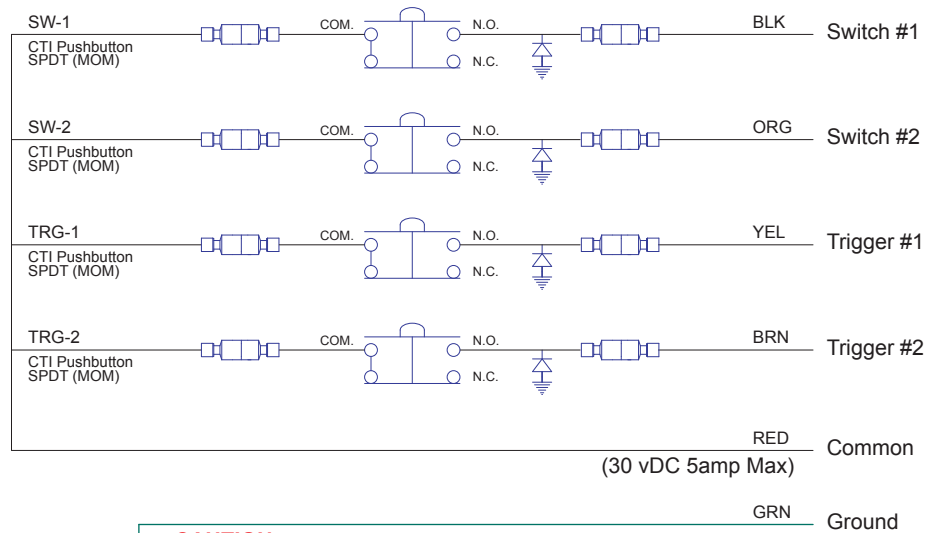
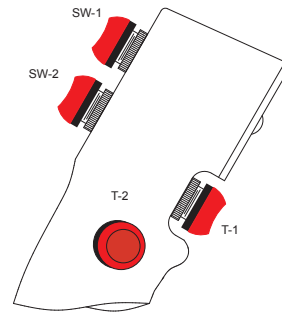
Control Unit Features:

Switches 1-2: SPDT Mom Pushbutton Switch With Red Seal Caps
 Trigger T1-T2: SPDT Mom Pushbutton Switch With Red Seal Caps
 Trigger T3: Sealed Black Nylon Hole Plug
 10 Ft Cable
 1/2 NPT Mounting Thread With Locking Setscrew
 Left Handed

General Information:

Control Handle Material: Aluminum
 Finish: Black Powder Coat
 Temperature Range: -55°C to +85°C at rated current
 CTI Switch Life Cycles: 10,000,000
 Current Rating: 5 amps @ 30vDC

CTI PART# : CTI-2021294



CAUTION:
 Metal Handle MUST Be Grounded For Safe Operation!

Spare Replacment Components For Part # **CTI-2021294**

Handle Part #: **69-980070-01**
 Switches 1-2: **32-P-A91113-01**
 Seals 1-2: **76-010321-01**
 Trigger T1-T2: **32-P-A91113-01**
 Trigger Seal T1: **76-010321-01**
 Trigger T3: **99-HPN-1/2**

Cable Harness: **76-CA-NQ720-2SW2T-10**



8501-RB HANDY-GRIP®

2 Pushbutton + 2 Triggers w/Caps



Product shown without cable harness for clarity

GENERAL DIMENSIONS



Product shown without switches for clarity

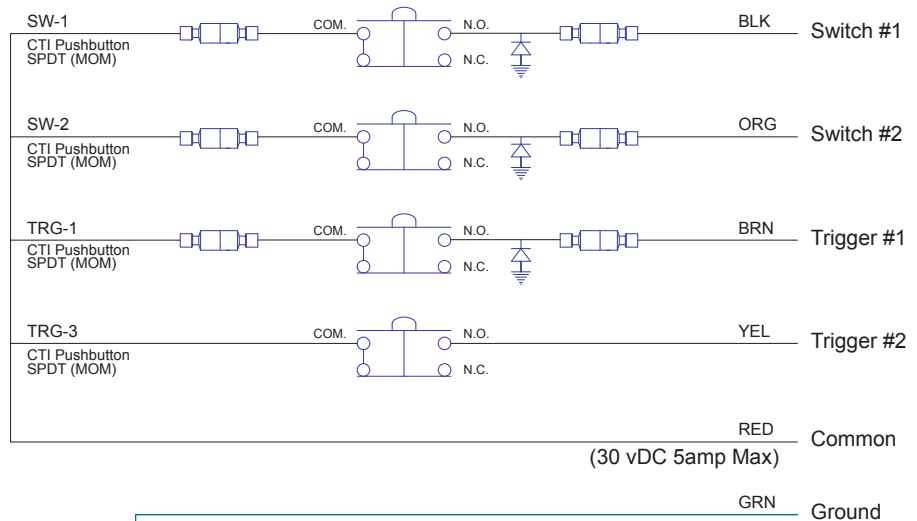
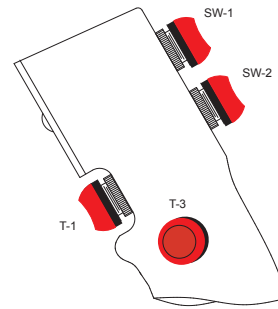
Control Unit Features:

Switches 1-2: SPDT Mom Pushbutton Switch With Red Seal Caps
 Trigger T1-T3: SPDT Mom Pushbutton Switch With Red Seal Caps
 Trigger T2: Sealed Black Nylon Hole Plug
 10 Ft Cable
 1/2 NPT Mounting Thread With Locking Setscrew

General Information:

Control Handle Material: Aluminum
 Finish: Black Powder Coat
 Temperature Range: -55°C to +85°C at rated current
 CTI Switch Life Cycles: 10,000,000
 Current Rating: 5 amps @ 30vDC

CTI PART# : CTI-2021295



CAUTION:
 Metal Handle **MUST** Be Grounded For Safe Operation!

Spare Replacment Components For Part # **CTI-2021295**

Handle Part #: **69-980070-01**
 Switches 1-2: **32-P-A91113-01**
 Seals 1-2: **76-010321-01**
 Trigger T1-T3: **32-P-A91113-01**
 Trigger Seal T1: **76-010321-01**
 Trigger T2: **99-HPN-1/2**

Cable Harness: **76-CA-NQ720-SW2T-10**



8501-RB HANDY-GRIP®

2 Pushbutton + Trigger w/Caps

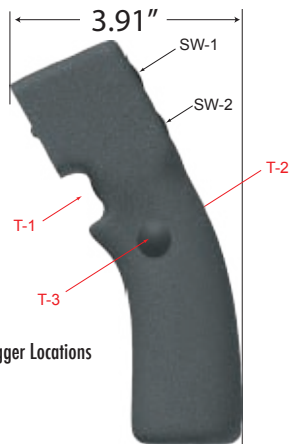


Product shown without cable harness for clarity

GENERAL DIMENSIONS



1/2 NPT
Mounting Thread



Product shown without switches for clarity

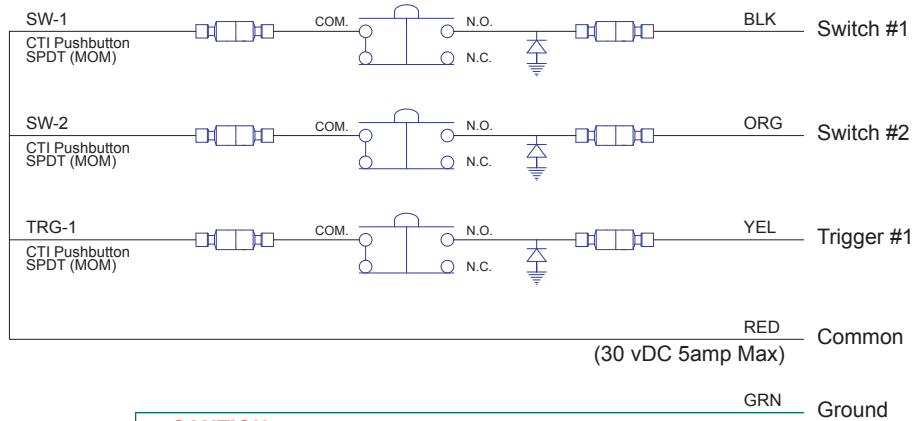
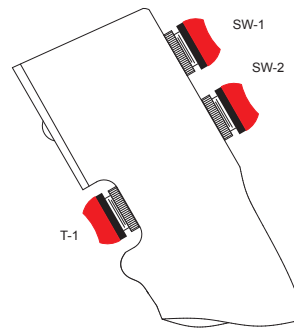
Control Unit Features:

Switches 1-2: SPDT Mom Pushbutton Switch With Red Seal Caps
 Trigger T1: SPDT Mom Pushbutton Switch With Red Seal Caps
 Trigger T2-T3: Sealed Black Nylon Hole Plug
 10 Ft Cable
 1/2 NPT Mounting Thread With Locking Setscrew

General Information:

Control Handle Material: Aluminum
 Finish: Black Powder Coat
 Temperature Range: -55°C to +85°C at rated current
 CTI Switch Life Cycles: 10,000,000
 Current Rating: 5 amps @ 30vDC

CTI PART# : CTI-2021293



CAUTION:
 Metal Handle **MUST** Be Grounded For Safe Operation!

Spare Replacment Components For Part # **CTI-2021293**

Handle Part #: **69-980070-01**
 Switches 1-2: **32-P-A91113-01**
 Seals 1-2: **76-010321-01**
 Trigger T1: **32-P-A91113-01**
 Trigger Seal T1: **76-010321-01**
 Trigger T2-T3: **99-HPN-1/2**

Cable Harness: **76-CA-NQ720-SW2T-10**

