

CTI

Industrial Control Solutions

8701-RB



a commitment to intergrated engineering & design

Cyber-Tech, Inc.
7943 SW Cirrus Dr
Beaverton, Oregon 97008

www.cyber-tech.net

PO Box 23801
Portland, Oregon 97281

1.800.621.8754

503.620.2285

Fax 503.620.8580

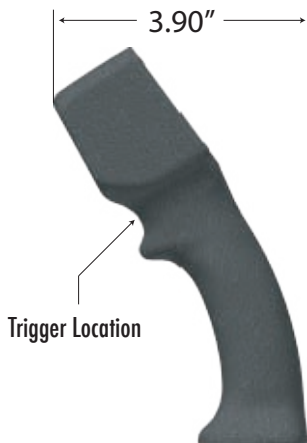
8701-RB HANDY-GRIP®

2 Rocker w/Caps



Product shown without cable harness for clarity

GENERAL DIMENSIONS



Product shown without switches for clarity

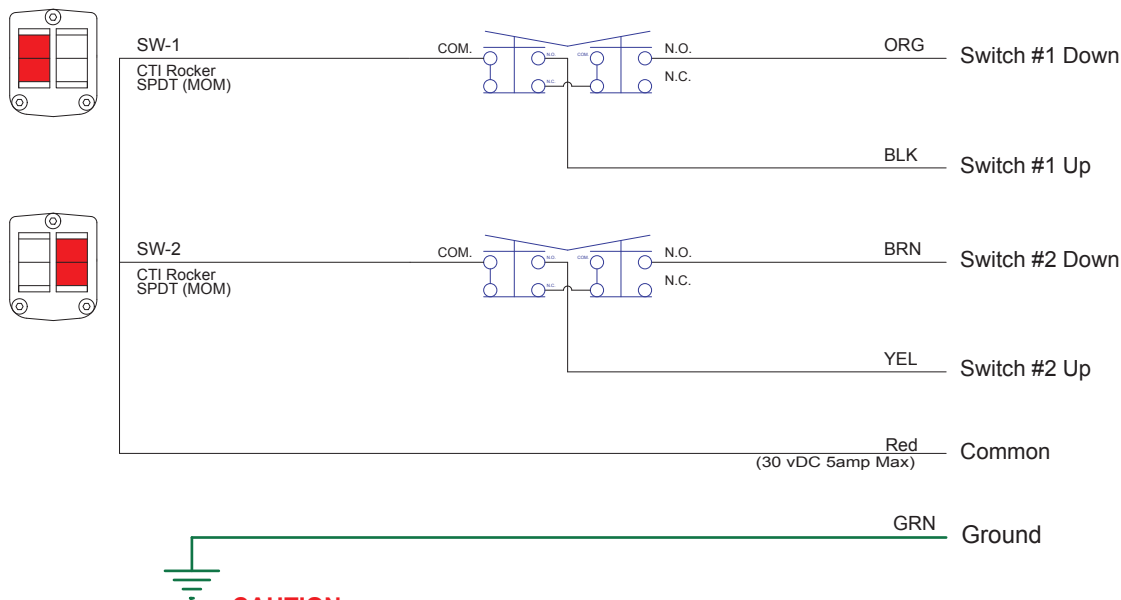
Control Unit Features:

- Switches 1- 2: SPDT Mom Rocker Switch With Red Seal Caps
- Standard CTI Overlay
- 10 Ft Cable
- 1/2 NPT Mounting Thread With Locking Setscrew

General Information:

- Control Handle Material: Aluminum
- Finish: Black Powder Coat
- Faceplate Material: Aluminum - 5052
- Overlay Material: Polycarbonate
- Temperature Range: -55°C to +85°C at rated current
- CTI Switch Life Cycles: 10,000,000
- Current Rating: 5 amps @ 120vAC

CTI PART# : CTI-2021210



CAUTION:
Metal Handle **MUST** Be Grounded For Safe Operation!

Spare Replacment Components for part # **CTI-2021210**

- Handle Part #: **69-930660-04**
- Faceplate: **65-930661-09**
- Switches 1-2: **32-R-922190-01**
- Seals 1- 2: **76-010235-01**
- Cable Harness: **22-C-NQ720-J-11**



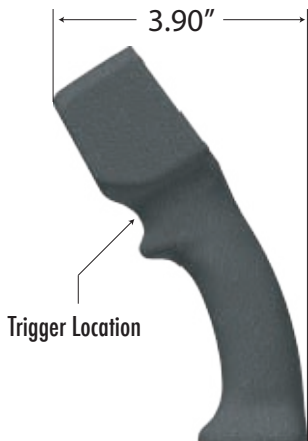
8701-RB HANDY-GRIP®

2 Rocker + Trigger w/Caps



Product shown without cable harness for clarity

GENERAL DIMENSIONS



Product shown without switches for clarity

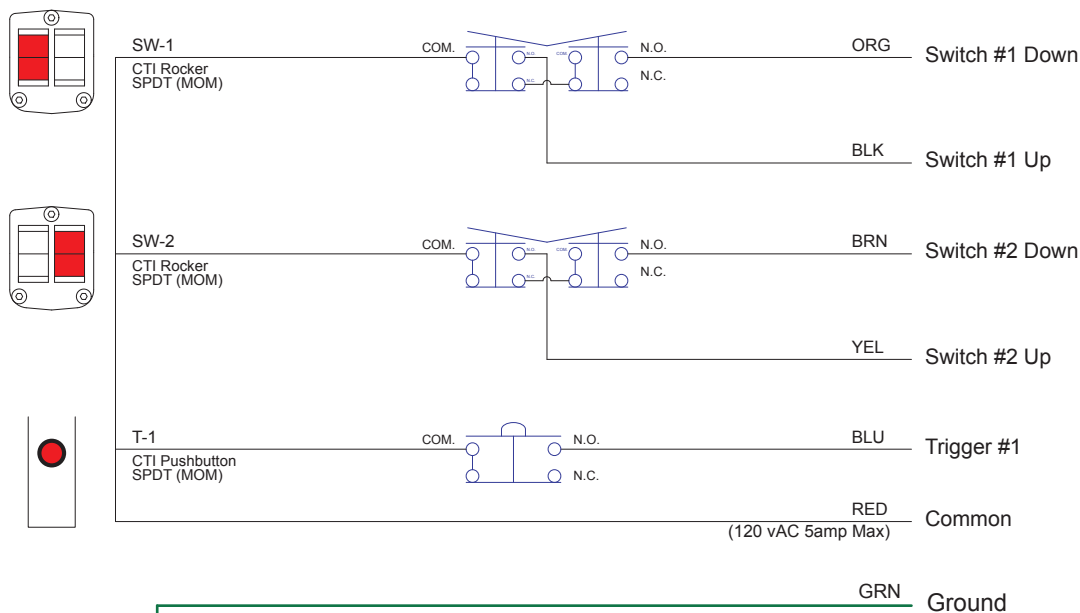
Control Unit Features:

Switches 1- 2: SPDT Mom Rocker Switch With Red Seal Caps
 Trigger 1: SPDT Mom Pushbutton Switch With Red Seal Caps
 Standard CTI Overlay
 10 Ft Cable
 1/2 NPT Mounting Thread With Locking Setscrew

General Information:

Control Handle Material: Aluminum
 Finish: Black Powder Coat
 Faceplate Material: Aluminum - 5052
 Overlay Material: Polycarbonate
 Temperature Range: -55°C to +85°C at rated current
 CTI Switch Life Cycles: 10,000,000
 Current Rating: 5 amps @ 120vAC

CTI PART# : CTI-2021214



CAUTION:
 Metal Handle **MUST** Be Grounded For Safe Operation!

Spare Replacment Components for part # **CTI-2021214**

Handle Part #: **69-930660-03**
 Faceplate: **65-930661-09**
 Switches 1-2: **32-R-922190-01**
 Switch Seals 1- 2: **76-010235-01**
 Trigger 1: **32-P-A60215-01**
 Trigger Seal 1: **76-010321-01**

Cable Harness: **22-C-NQ720-J-11**



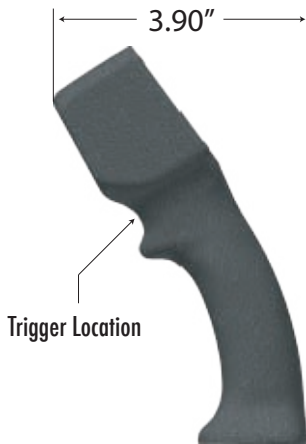
8701-RB HANDY-GRIP®

4 Pushbuttons w/Boots



Product shown without cable harness for clarity

GENERAL DIMENSIONS



Product shown without switches for clarity

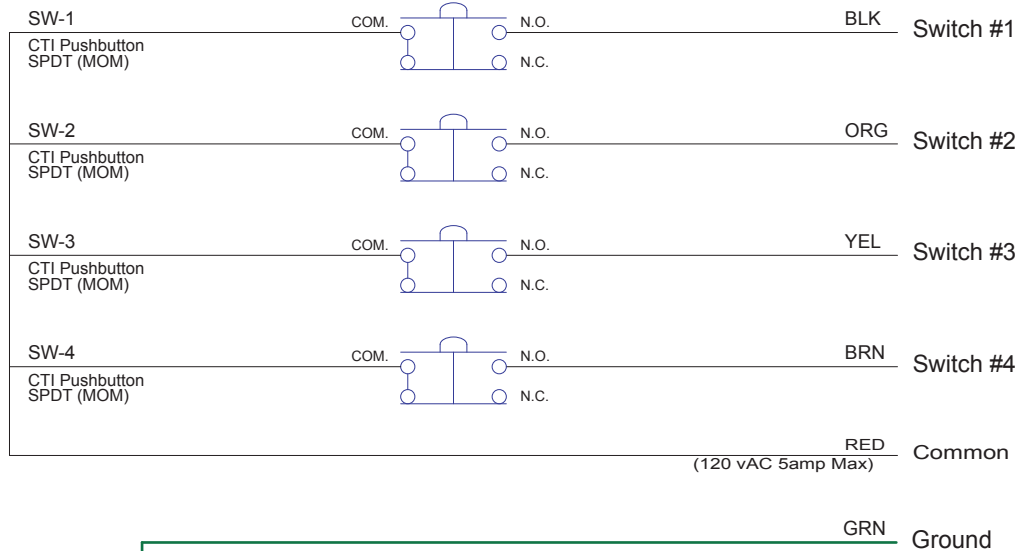
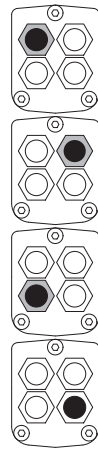
Control Unit Features:

Switches 1- 4: SPDT Mom Pushbutton Switch With Black/Chrome Seal Boots
 Standard CTI Overlay
 10 Ft Cable
 1/2 NPT Mounting Thread With Locking Setscrew

General Information:

Control Handle Material: Aluminum
 Finish: Black Powder Coat
 Faceplate Material: Aluminum - 5052
 Overlay Material: Polycarbonate
 Temperature Range: -55°C to +85°C at rated current
 CTI Switch Life Cycles: 10,000,000
 Current Rating: 5 amps @ 120vAC

CTI PART# : CTI-2021208



CAUTION:
 Metal Handle **MUST** Be Grounded For Safe Operation!

Spare Replacment Components for part # **CTI-2021208**

Handle Part #: **69-930660-04**
 Faceplate: **65-930661-06**
 Switches 1-4: **32-P-A60215-01**
 Seals 1- 4: **33-BPB-589**
 Cable Harness: **22-C-NQ720-J-11**



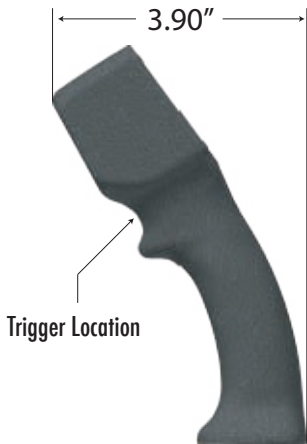
8701-RB HANDY-GRIP®

4 Pushbuttons w/Caps



Product shown without cable harness for clarity

GENERAL DIMENSIONS



Product shown without switches for clarity

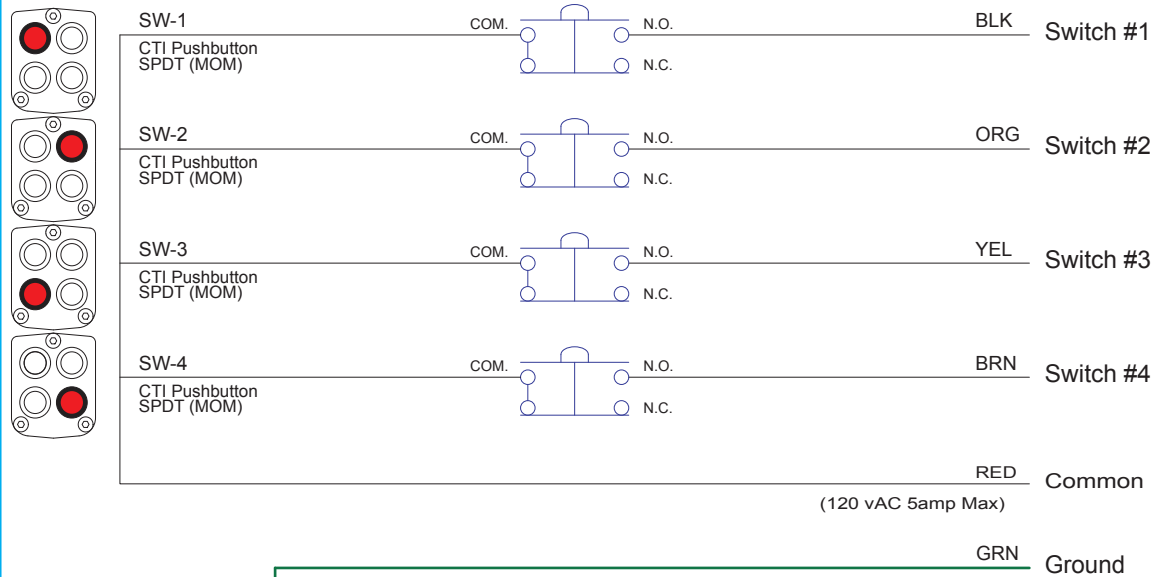
Control Unit Features:

- Switches 1-4 SPDT mom Pushbutton switch with red caps
- Standard CTI Overlay
- 10 ft Cable
- 1/2 NPT Mounting Thread with locking set screw

General Information:

- Control Handle Material: Aluminum
- Finish: Black Powder Coat
- Faceplate Material: Aluminum - 5052
- Overlay Material: Polycarbonate
- Temperature Range: -55°C to +85°C at rated current
- CTI Switch Life Cycles: 10,000,000
- Current Rating: 5 amps @ 120vAC

CTI PART# : CTI-2021238



CAUTION:
Metal Handle MUST Be Grounded For Safe Operation!

Spare Replacment Components for part # **CTI-2021238**

- Handle Part #: 69-930660-04
- Faceplate: 65-930661-06
- Switches 1-4: 32-P-A60215-01
- Seals 1- 4: 76-010321-01
- Cable Harness: 22-C-NQ720-J-11



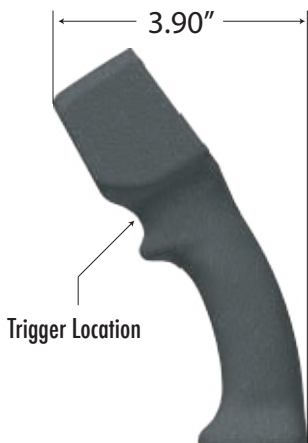
8701-RB HANDY-GRIP®

4 Pushbuttons + Trigger w/Boots



Product shown without cable harness for clarity

GENERAL DIMENSIONS



Product shown without switches for clarity

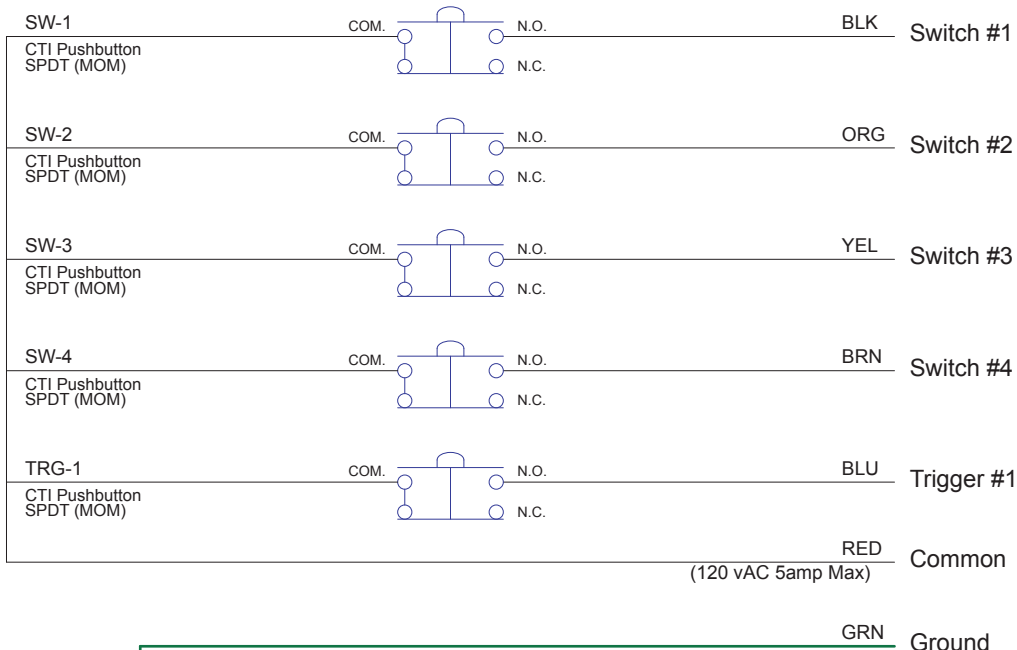
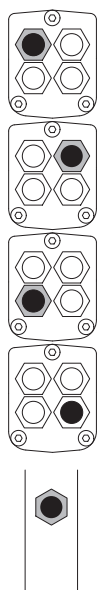
Control Unit Features:

- Switches 1- 4: SPDT Mom Pushbutton Switch With Black/Chrome Seal Boots
- Trigger 1: SPDT Mom Pushbutton Switch With Black/Chrome Seal Boots
- Standard CTI Overlay
- 10 Ft Cable
- 1/2 NPT Mounting Thread With Locking Setscrew

General Information:

- Control Handle Material: Aluminum
- Finish: Black Powder Coat
- Faceplate Material: Aluminum - 5052
- Overlay Material: Polycarbonate
- Temperature Range: -55°C to +85°C at rated current
- CTI Switch Life Cycles: 10,000,000
- Current Rating: 5 amps @ 120vAC

CTI PART# : CTI-2021207



CAUTION:
Metal Handle **MUST** Be Grounded For Safe Operation!

Spare Replacment Components for part # **CTI-2021207**

Handle Part #: **69-930660-03**
 Faceplate: **65-930661-06**
 Switches 1-4: **32-P-A60215-01**
 Seals 1- 4: **33-BPB-589**
 Trigger Switch: **32-P-A60215-01**
 Trigger Seal: **33-BPB-589**

Cable Harness: **22-C-NQ720-J-11**



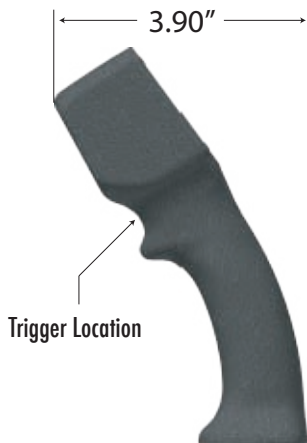
8701-RB HANDY-GRIP®

4 Pushbuttons + Trigger w/Caps



Product shown without cable harness for clarity

GENERAL DIMENSIONS



Product shown without switches for clarity

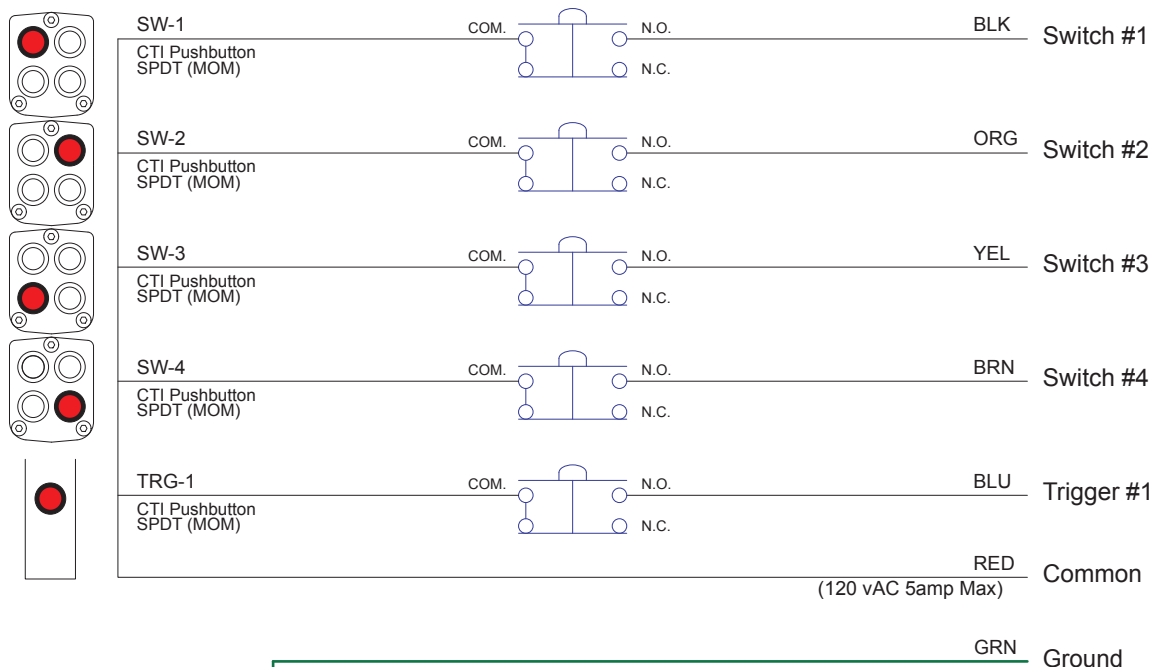
Control Unit Features:

- Switches 1-4 SPDT mom Pushbutton switch with red caps
- Trigger Switch - SPDT mom Pushbutton switch with red cap
- Standard CTI Overlay
- 10 ft Cable
- 1/2 NPT Mounting Thread with locking set screw

General Information:

- Control Handle Material: Aluminum
- Finish: Black Powder Coat
- Faceplate Material: Aluminum - 5052
- Overlay Material: Polycarbonate
- Temperature Range: -55°C to +85°C at rated current
- CTI Switch Life Cycles: 10,000,000
- Current Rating: 5 amps @ 120vAC

CTI PART# : CTI-2021205



CAUTION:
Metal Handle MUST Be Grounded For Safe Operation!

Spare Replacment Components for part # **CTI-2021205**

- Handle Part #: **69-930660-03**
- Faceplate: **65-930661-06**
- Switches 1-4: **32-P-A60215-01**
- Seals 1- 4: **76-010321-01**
- Trigger Switch: **32-P-A60215-01**
- Trigger Seal: **76-010321-01**

Cable Harness: **22-C-NQ720-J-11**



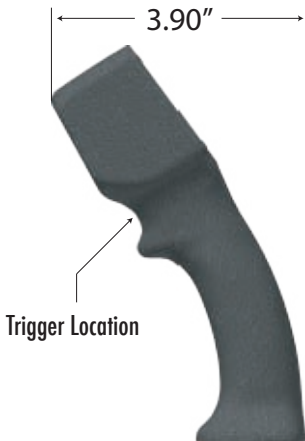
8701-RB HANDY-GRIP®

2 Rocker w/Caps



Product shown without cable harness for clarity

GENERAL DIMENSIONS



Product shown without switches for clarity

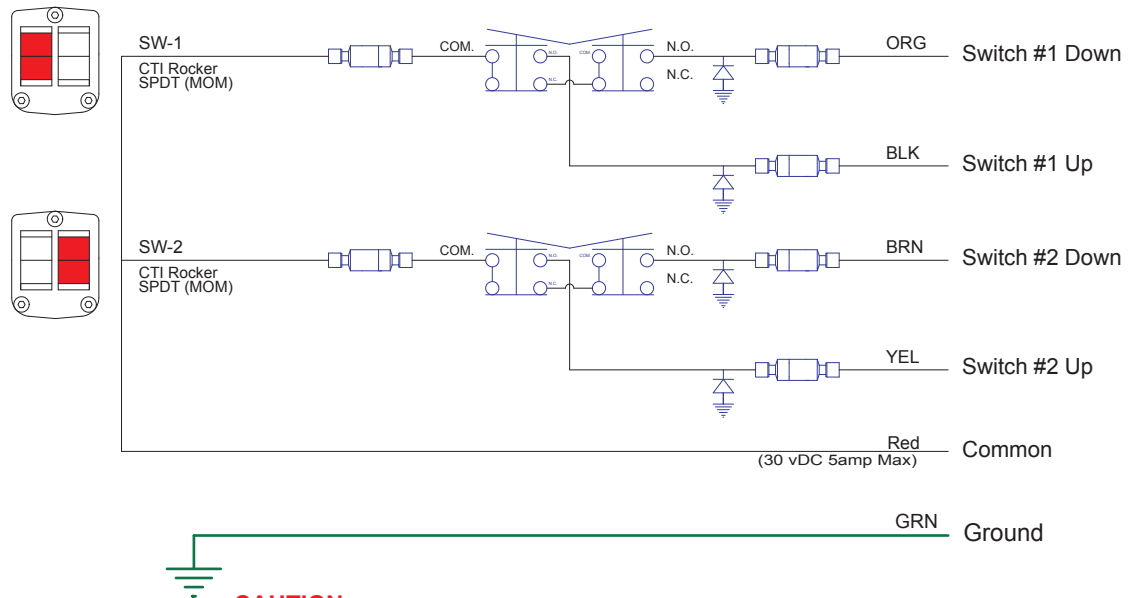
Control Unit Features:

Switches 1- 2: SPDT Mom Rocker Switch With Red Seal Caps
 Standard CTI Overlay
 10 Ft Cable
 1/2 NPT Mounting Thread With Locking Setscrew
 Diode Protected

General Information:

Control Handle Material: Aluminum
 Finish: Black Powder Coat
 Faceplate Material: Aluminum - 5052
 Overlay Material: Polycarbonate
 Temperature Range: -55°C to +85°C at rated current
 CTI Switch Life Cycles: 10,000,000
 Current Rating: 5 amps @ 30vDC

CTI PART# : CTI-2021202



CAUTION:
 Metal Handle MUST Be Grounded For Safe Operation!

Spare Replacment Components for part # **CTI-2021202**

Handle Part #: 69-930660-04
 Faceplate: 65-930661-09
 Switches 1-2: 32-R-920901-01
 Seals 1- 2: 76-010235-01
 Cable Harness: 76-CA-NQ720-2RK0T-10



8701-RB HANDY-GRIP®

2 Rocker + Trigger w/Caps

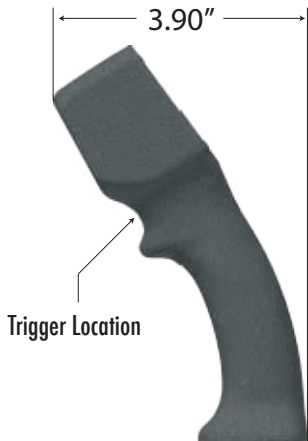


Product shown without cable harness for clarity

GENERAL DIMENSIONS



1/2 NPT
Mounting Thread



Product shown without switches for clarity

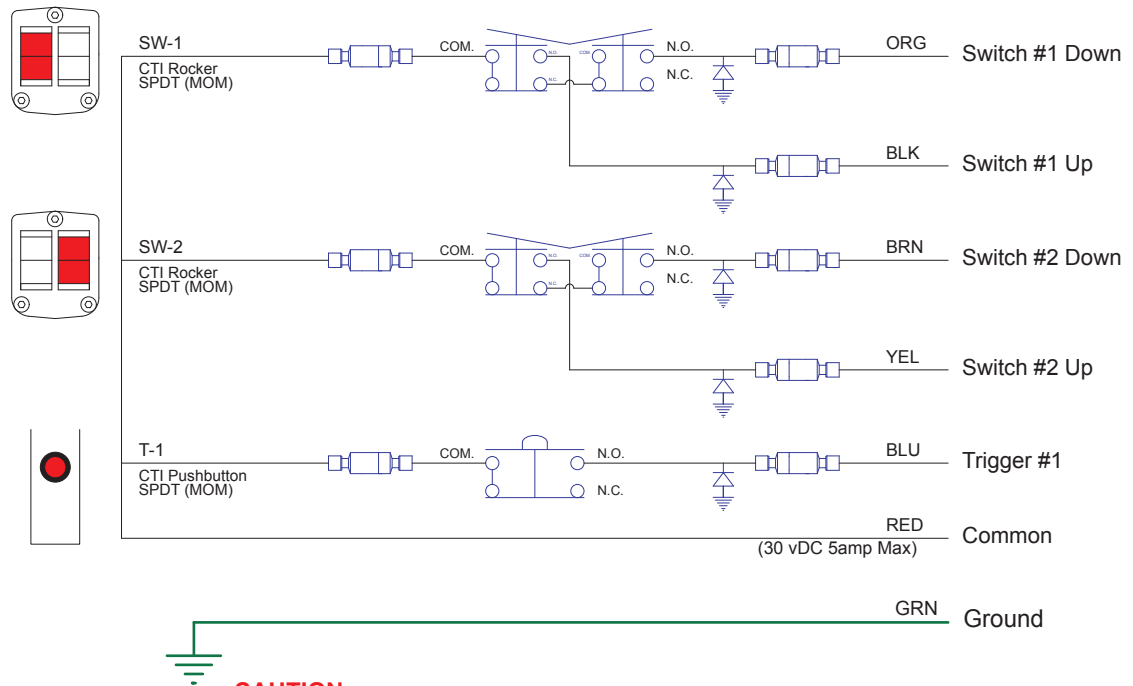
Control Unit Features:

Switches 1- 2: SPDT Mom Rocker Switch With Red Seal Caps
 Trigger 1- 2: SPDT Mom Pushbutton Switch With Red Seal Cap
 Standard CTI Overlay
 10 Ft Cable
 1/2 NPT Mounting Thread With Locking Setscrew
 Diode Protected

General Information:

Control Handle Material: Aluminum
 Finish: Black Powder Coat
 Faceplate Material: Aluminum - 5052
 Overlay Material: Polycarbonate
 Temperature Range: -55°C to +85°C at rated current
 CTI Switch Life Cycles: 10,000,000
 Current Rating: 5 amps @ 30vDC

CTI PART# : CTI-2021201



CAUTION:
 Metal Handle **MUST** Be Grounded For Safe Operation!

Spare Replacment Components for part # **CTI-2021201**

Handle Part #: **69-930660-03**
 Faceplate: **65-930661-09**
 Switches 1-2: **32-R-920901-01**
 Seals 1- 2: **76-010235-01**
 Trigger Switch 1: **32-P-A91113-01**
 Trigger Seal 1: **76-010321-01**
 Cable Harness: **76-CA-NQ720-2RK1T-10**



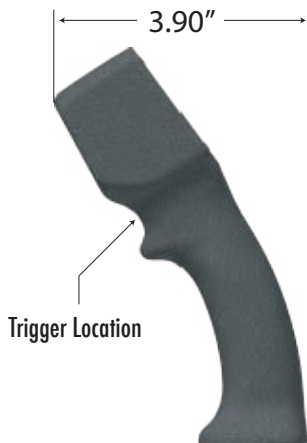
8701-RB HANDY-GRIP®

4 Pushbutton w/Boots



Product shown without cable harness for clarity

GENERAL DIMENSIONS



Product shown without switches for clarity

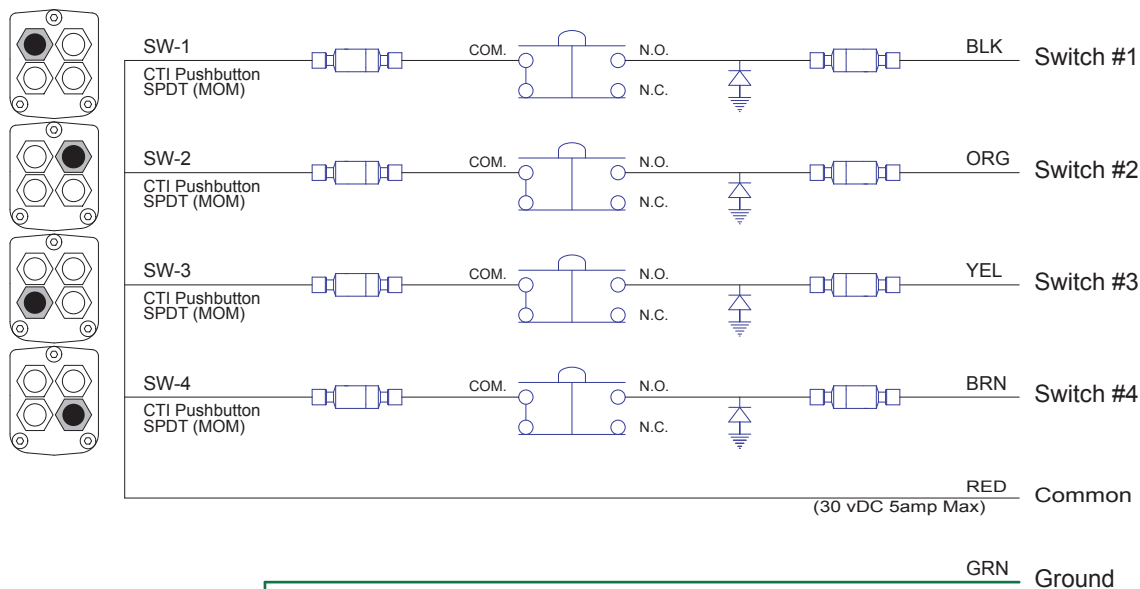
Control Unit Features:

Switches 1- 4: SPDT Mom Pushbutton Switch With Black/Chrome Seal Boots
 Standard CTI Overlay
 10 Ft Cable
 1/2 NPT Mounting Thread With Locking Setscrew
 Diode Protected

General Information:

Control Handle Material: Aluminum
 Finish: Black Powder Coat
 Faceplate Material: Aluminum - 5052
 Overlay Material: Polycarbonate
 Temperature Range: -55°C to +85°C at rated current
 CTI Switch Life Cycles: 10,000,000
 Current Rating: 5 amps @ 30vDC

CTI PART# : CTI-2021200



CAUTION:
 Metal Handle **MUST** Be Grounded For Safe Operation!

Spare Replacment Components for part # **CTI-2021200**

Handle Part #: **69-930660-04**
 Faceplate: **65-930661-06**
 Switches 1-4: **32-P-A91113-01**
 Seals 1- 4: **33-BPB-589**
 Cable Harness: **76-CA-NQ720-4SW0T-10**



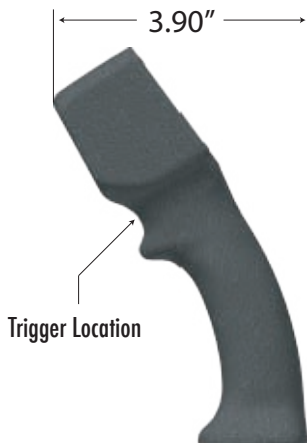
8701-RB HANDY-GRIP®

4 Pushbuttons w/Caps



Product shown without cable harness for clarity

GENERAL DIMENSIONS



Product shown without switches for clarity

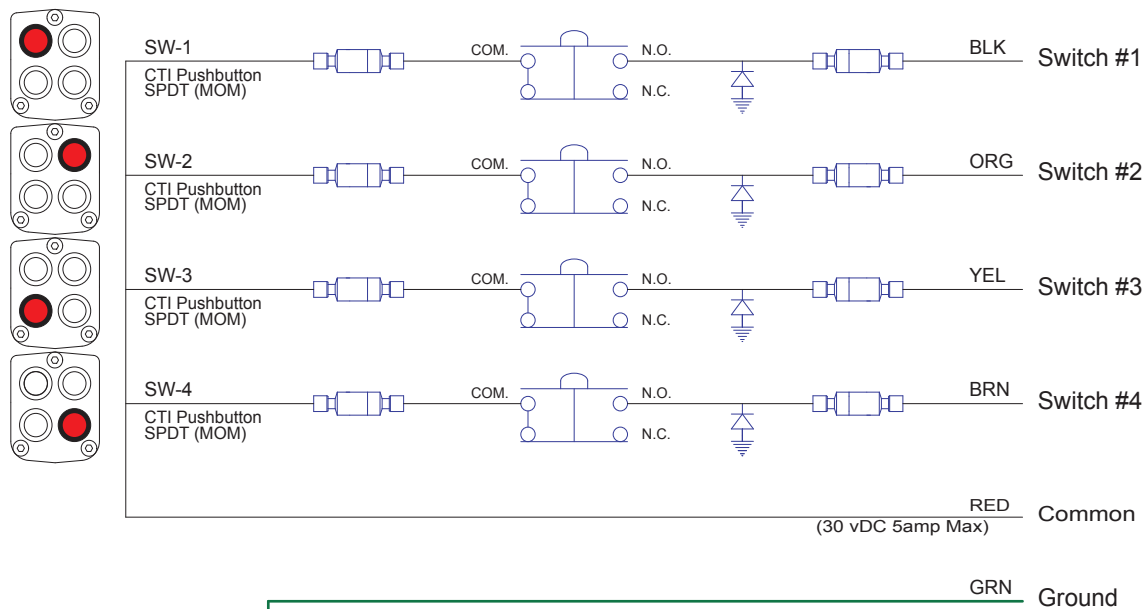
Control Unit Features:

Switches 1- 4: SPDT Mom Pushbutton Switch With Red Seal Caps
 Standard CTI Overlay
 10 Ft Cable
 1/2 NPT Mounting Thread With Locking Setscrew
Diode Protected

General Information:

Control Handle Material: Aluminum
 Finish: Black Powder Coat
 Faceplate Material: Aluminum - 5052
 Overlay Material: Polycarbonate
 Temperature Range: -55°C to +85°C at rated current
 CTI Switch Life Cycles: 10,000,000
 Current Rating: 5 amps @ 30vDC

CTI PART# : CTI-2021198



CAUTION:
 Metal Handle **MUST** Be Grounded For Safe Operation!

Spare Replacment Components for part # **CTI-2021198**

Handle Part #: **69-930660-04**
 Faceplate: **65-930661-06**
 Switches 1-4: **32-P-A91113-01**
 Seals 1- 4: **76-010321-01**
 Cable Harness: **76-CA-NQ720-4SW0T-10**



8701-RB HANDY-GRIP®

4 Pushbuttons + Trigger w/Boots

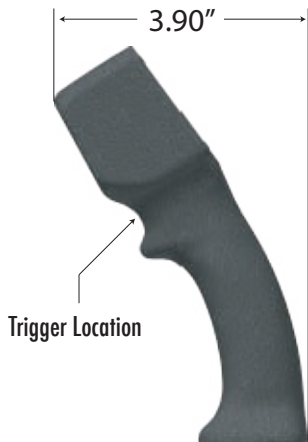


Product shown without cable harness for clarity

GENERAL DIMENSIONS



1/2 NPT
Mounting Thread



Product shown without switches for clarity

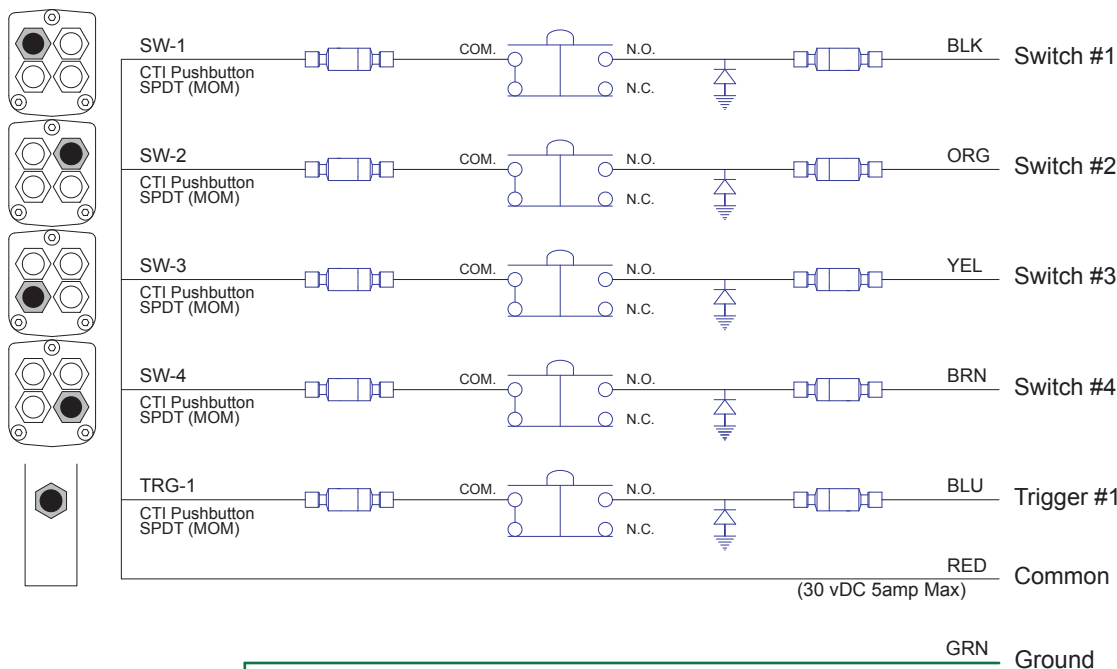
Control Unit Features:

Switches 1-4: SPDT Mom Pushbutton Switch With Black/Chrome Seal Boots
 Trigger 1: SPDT Mom Pushbutton Switch With Black/Chrome Seal Boots
 Standard CTI Overlay
 10 Ft Cable
 1/2 NPT Mounting Thread With Locking Setscrew
Diode Protected

General Information:

Control Handle Material: Aluminum
 Finish: Black Powder Coat
 Faceplate Material: Aluminum - 5052
 Overlay Material: Polycarbonate
 Temperature Range: -55°C to +85°C at rated current
 CTI Switch Life Cycles: 10,000,000
 Current Rating: 5 amps @ 30vDC

CTI PART# : CTI-2021199



CAUTION:
 Metal Handle **MUST** Be Grounded For Safe Operation!

Spare Replacment Components for part # **CTI-2021199**

Handle Part #: **69-930660-03**

Cable Harness: **76-CA-NQ720-4SW1T-10**

Faceplate: **65-930661-06**

Switches 1-4: **32-P-A91113-01**

Seals 1-4: **33-BPB-589**

Trigger Switch: **32-P-A91113-01**

Trigger Seal: **33-BPB-589**



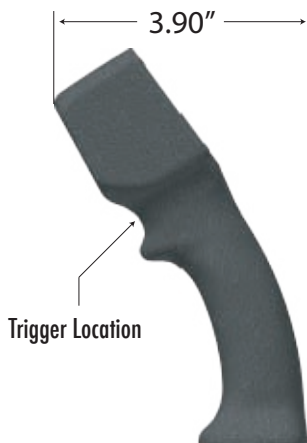
8701-RB HANDY-GRIP®

4 Pushbuttons + Trigger w/Caps



Product shown without cable harness for clarity

GENERAL DIMENSIONS



Product shown without switches for clarity

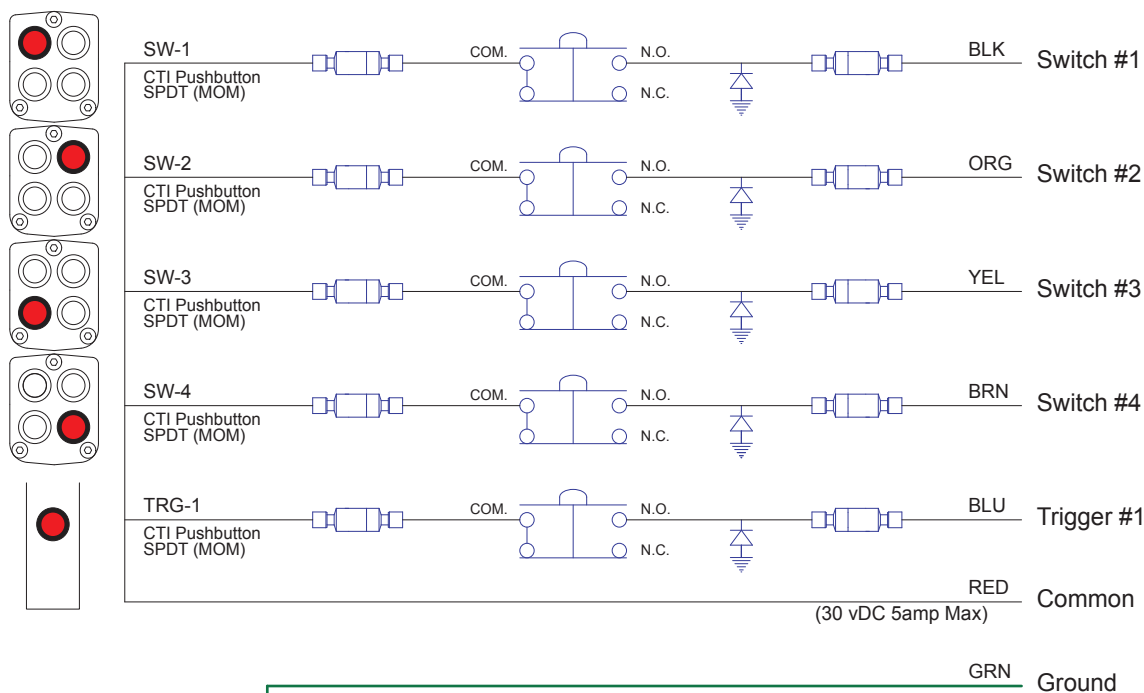
Control Unit Features:

Switches 1-4: SPDT Mom Pushbutton Switch With Red Seal Caps
 Trigger 1: SPDT Mom Pushbutton Switch With Red Seal Cap
 Standard CTI Overlay
 10 Ft Cable
 1/2 NPT Mounting Thread With Locking Setscrew
 Diode Protected

General Information:

Control Handle Material: Aluminum
 Finish: Black Powder Coat
 Faceplate Material: Aluminum - 5052
 Overlay Material: Polycarbonate
 Temperature Range: -55°C to +85°C at rated current
 CTI Switch Life Cycles: 10,000,000
 Current Rating: 5 amps @ 30vDC

CTI PART# : CTI-2021195



CAUTION:
 Metal Handle **MUST** Be Grounded For Safe Operation!

Spare Replacment Components For Part # **CTI-2021195**

Handle Part #: **69-930660-03**
 Faceplate: **65-930661-06**
 Switches 1-4: **32-P-A91113-01**
 Seals 1-4: **76-010321-01**
 Trigger Switch: **32-P-A91113-01**
 Trigger Seal: **76-010321-01**

Cable Harness: **76-CA-NQ720-4SW1T-10**

