

CYBER·TECH, Inc.

INDUSTRIAL CONTROL SOLUTIONS

# 8901-D Handy Grip



New  
Flex Core  
Button  
Technology

[www.cyber-tech.net](http://www.cyber-tech.net)

Established 1982

1.800.621.8754  
1.503.620.2285  
Fax: 1.503.620.8580  
sales@cyber-tech.net



# Featuring the 8901-D Series Control Grip

1.800.621.8754

The 8901-D Series control grip offers the complete control solution you have been looking for. The 8901-D was designed for right or left handed operation and comfort that allows for continuous use day after day. Made from Die cast aluminum, this control grip will withstand today's heavy equipment needs. Factory wired and supplied with six feet (6') of cable the control grip can be ordered in variety of configurations.

- Standard 8901-D pushbutton configurations are: 0, 2, 4, or 6.
- Standard 8901-D rocker configurations are: single rocker, dual rockers, single rocker + 2 pushbuttons or dual rockers + 2 pushbuttons.

All faceplate arrangements can include one of four available trigger options; single, push-pull, dead-man or proportional.

Numerous secondary options are available for the 8901-D control grip ranging from custom overlays, 2-Stage and proportional trigger options, custom Flex-Core Actuator buttons, LED's, custom wiring, joystick adaptability, mounting adapters, maintained switches, toggles, sealed switching and E-Stops to name a few.



Blank



2 Switch



4 Switch



6 Switch



Custom



Single Rocker



Dual Rocker



Single Rocker+2 Switch



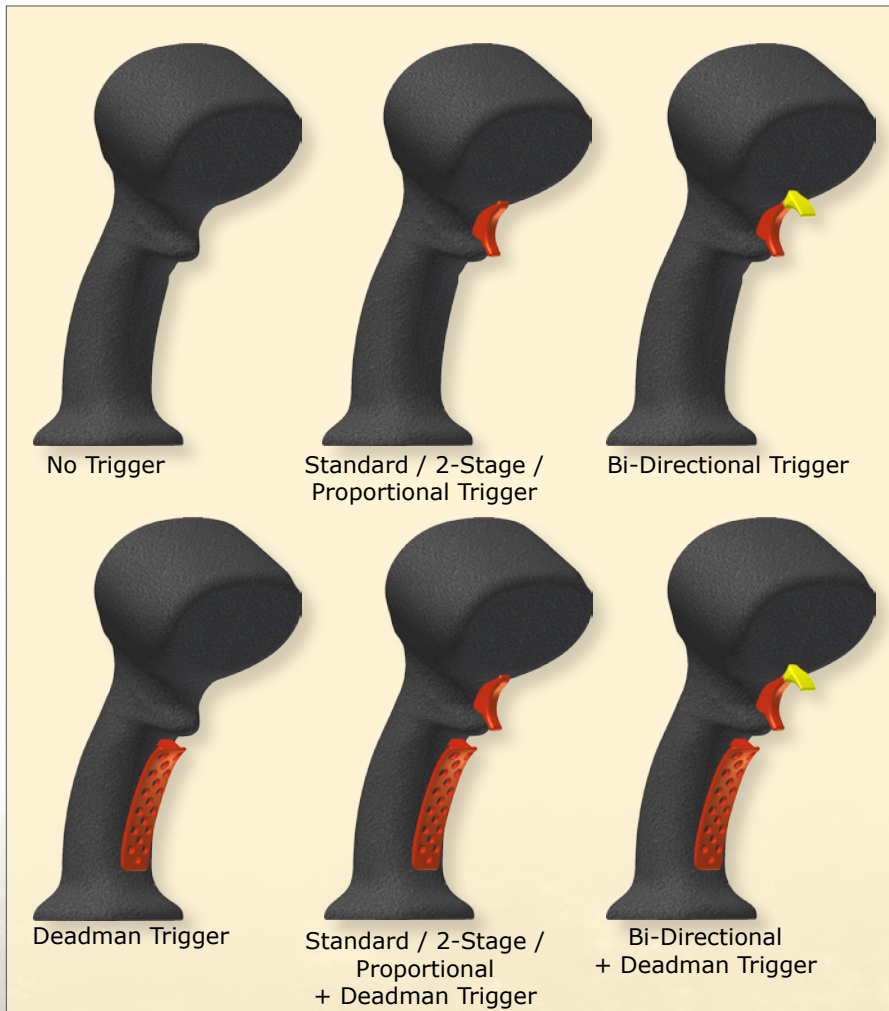
Dual Rocker+2 Switch



“When More Control Is Needed”

## TRIGGER OPTIONS

The 8901-D offers nine trigger solutions; Single Trigger, Bi-Directional Trigger, 2-Stage Trigger and a Proportional Trigger all with or without a Deadman Lever. Other color options are available.



## SWITCH & BUTTON OPTIONS

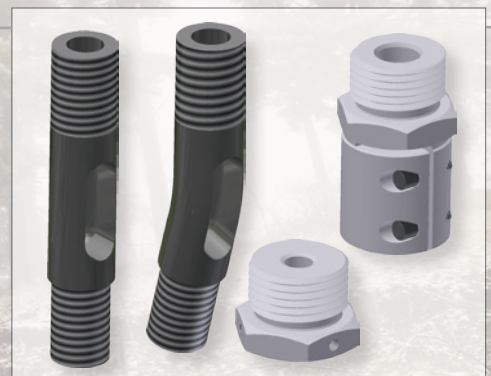


We stock a wide range of standard and specialty switches, LED's and gauges. 1.800.621.8754

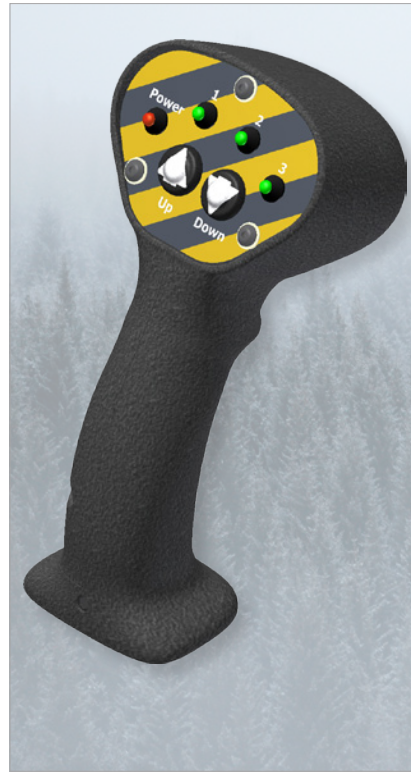
- |                    |                      |
|--------------------|----------------------|
| Maintain Switches  | Rockers and Sliders  |
| Momentary Switches | Hall Effect Switches |
| E-Stops            | Buzzers              |
| Toggle Switches    | Voltage Gauges       |
| Keyed Switches     | Potentiometers       |
| LEDs and Lamps     | Mini-Joysticks       |
| SPDT to QPQT       | 2-Stage Switches     |
| Seal Boots         | And Many More!       |

## ADAPTORS

The Cyber-Tech, Inc. 8901-D Control Grip comes standard with a 1/2"-14 NPT internal thread. In the event that you require special mounting, we offer a full line of adaptors that will fit your application. Straight and angled stud adaptors with cable pass thoughts, clamping adaptors and bushing adaptors are a few examples. For unique requirements please call one of our customer service representatives at 1.800.621.8754



## CUSTOM CONFIGURATIONS



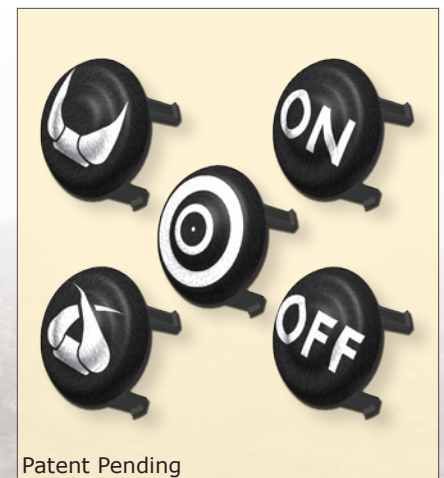
All of our 8901-D Control-Grips are available in numerous configurations. We manufacture each controller unit to our customers individual specifications; handle housing modifications, unique layouts, custom wire harnesses, specialty switches, LED's, electronics and graphic overlay are just a few "Standard" options for all of our products.

## CUSTOM OVERLAYS



All overlays are made from industrial grade LEXAN and are back-printed to last years in the field without fading, wearing, or cracking. Adding color, graphics, logos and text can personalize the control to help an operator identify each control function. Upon request Cyber-Tech, Inc. can remove all proprietary text and logo's and replace with an OEM's preferred markings.

## PAD PRINTING



Patent Pending

Along with custom faceplate overlays, individual Flex-Core Actuator buttons can be custom pad printed to further assist in identifying functions.

# HANDLE JOYSTICK COMBINATIONS

8901-D with JS-Series



8901-D with JS-2050-HD



8901-D with JS-500-HD



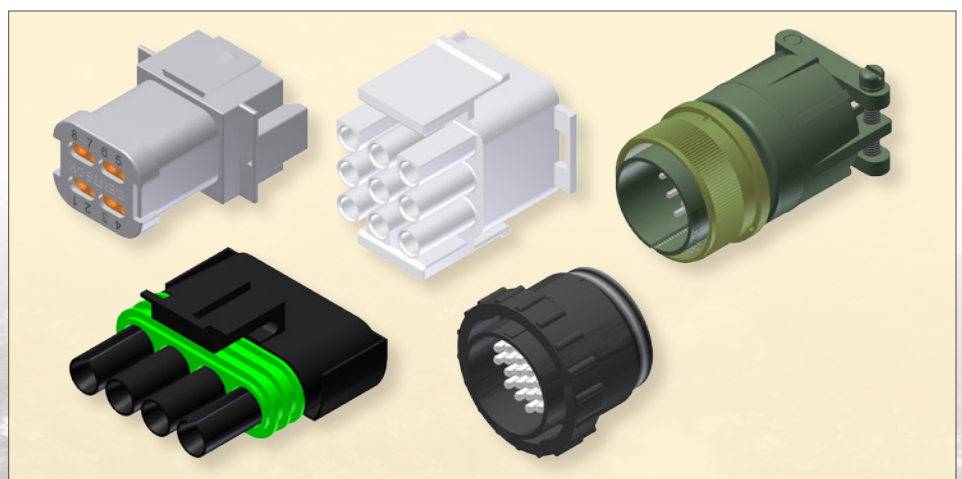
All Cyber-Tech, Inc. control handles and joysticks units are engineered to be used together. Have a different manufactures joystick? - Not a problem! - We offer a complete line of adaptors that will allow you to mount the 8901-D grip to your current controls bases.

## CABLE



High-grade, 20AWG, extra flexible, abrasion-resistant, instrument control cable. Coil cords and custom cables also available. See general information for ratings.

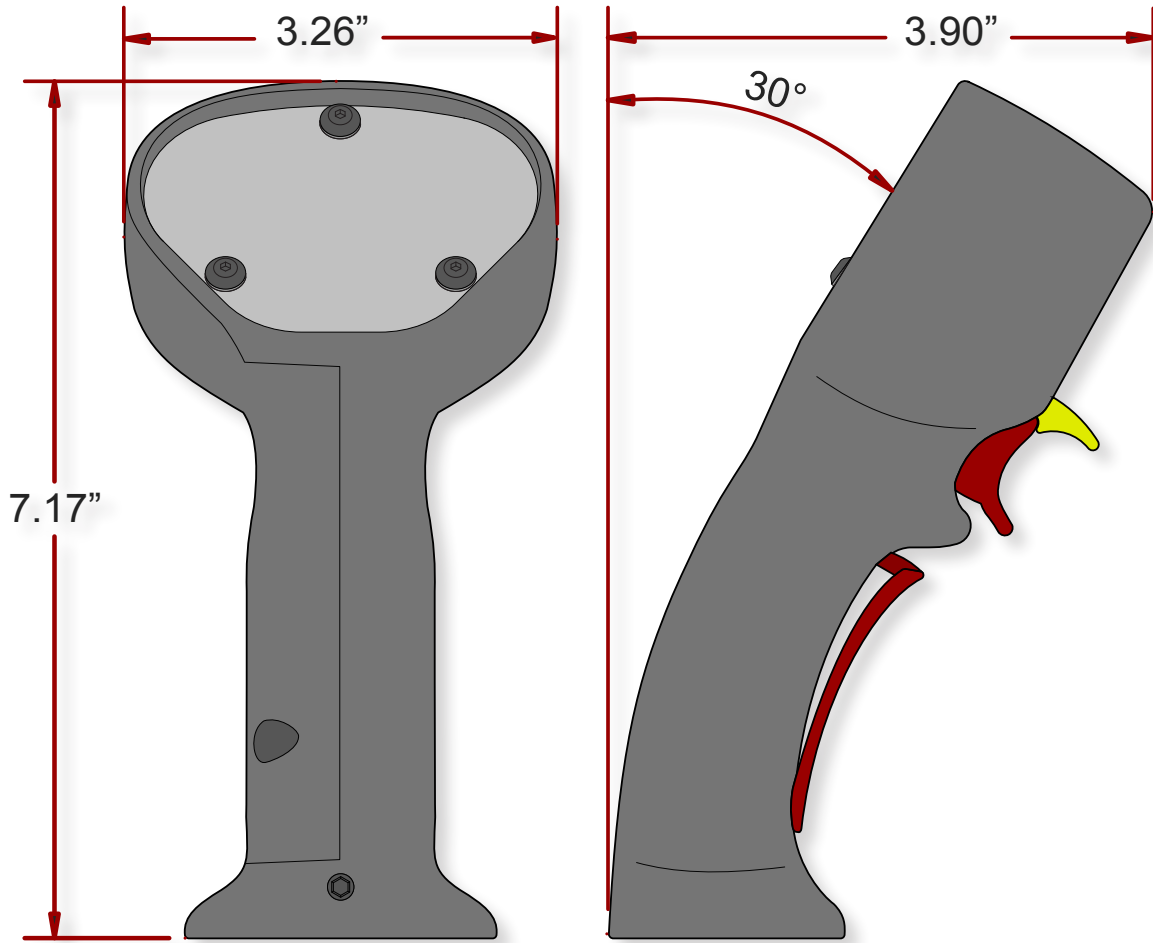
## CONNECTORS



Many different connectors and terminations styles can be installed to the end of the cable harness and in some cases directly to the bottom of the 8901-D. We offer cost effective connectors designed for the heavy industrial equipment industries to high-end Mil-Spec grade connector. Custom Connectors can be ordered to meet your exact requirement; Please call for further information 1.800.621.8754

# 8901-D

Toll Free: 1.800.621.8754  
1.503.620.2285 Fax: 1.503.620.8580  
www.cyber-tech.net sales@cyber-tech.net



## General Information

- Housing Material: Die Cast aluminum. (Black Powder Coated, Other Colors Available)
- Faceplate Decal: Back Printed LEXAN.
- 8901-D Joystick Compatibility : Mounts to all Cyber-Tech's Joysticks.
- Standard Switching: 120VAC / 30VDC @ 5amp.  
120VAC / 30VDC @ 10amp.
- Handle Cable: 6ft Standard, 20AWG, MIL Spec, U.L. AWM Recognized Style 2464, UL-13 CL2X & CSA Certified AWM II A/B. Color Coded to MIL-C-7078.
- Proportional Sensor Supply: 5vDC (4.5min – 5.5max)
- Proportional Sensor Output: 0.50v - 4.50v (Signal Level Output)
- LED Voltage: 120 VAC and 24 VDC Versions Available.
- LED Standard Colors: Red, Green, Amber.
- Trigger Options: Single Trigger, Bi-Directional Trigger, 2-Stage Trigger, and Proportional Trigger. All options can also be used with a Deadman Lever  
Multiply switch and proportional outputs are available



WWW.CYBER-TECH.NET

1.800.621.8754

# 8901-D

Toll Free: 1.800.621.8754  
1.503.620.2285 Fax: 1.503.620.8580  
www.cyber-tech.net sales@cyber-tech.net

WWW.CYBER-TECH.NET



**Easy Field Maintains**

Wire harness not shown for clarity.

Easy field maintains with removable face plate and handle side. Flex-Core. Actuators can be replaced without opening up the handle. Switches can be replaced without soldering by using push-on terminals.

1.800.621.8754

