

Standard Online Products

Custom Configurations Are Also Available. Please call our sales team at 1-800-621-8754

0 Switch w/Bi-Directional Trigger CTI-2022643	1	6 Switch w/Standard Trigger CTI-2022670	28
0 Switch w/Deadman Lever CTI-2022644	2	6 Switch w/Two-Stage Trigger CTI-2022671	29
0 Switch w/Proportional Trigger CTI-2022645	3	1 Rocker CTI-2022672	30
0 Switch w/Standard Trigger CTI-2022646	4	1 Rocker w/Bi-Directional Trigger CTI-2022673	31
0 Switch w/Two-Stage Trigger CTI-2022647	5	1 Rocker w/Deadman Lever CTI-2022674	32
2 Switch CTI-2022648	6	1 Rocker w/Proportional Trigger CTI-2022675	33
2 Switch w/Bi-Directional Trigger CTI-2022649	7	1 Rocker w/Standard Trigger CTI-2022676	34
2 Switch w/Deadman Lever CTI-2022650	8	1 Rocker w/Two-Stage Trigger CTI-2022677	35
2 Switch w/Proportional Trigger CTI-2022651	9	2 Rockers CTI-2022678	36
2 Switch w/Standard Trigger CTI-2022652	10	2 Rockers w/Bi-Directional Trigger CTI-2022679	37
2 Switch w/Two-Stage Trigger CTI-2022653	11	2 Rockers w/Deadman Lever CTI-2022680	38
4 Switch CTI-2022654	12	2 Rockers w/Proportional Trigger CTI-2022681	39
4 Switch w/Bi-Directional Trigger CTI-2022655	13	2 Rockers w/Standard Trigger CTI-2022682	40
4 Switch w/Deadman Lever CTI-2022656	14	2 Rockers w/Two-Stage Trigger CTI-2022683	41
4 Switch w/Proportional Trigger CTI-2022657	15	1 Rocker + 2 Pushbuttons CTI-2022684	42
4 Switch w/Standard Trigger CTI-2022658	16	1 Rocker + 2 Pushbuttons w/Bi-Directional Trigger CTI-2022685	43
4 Switch w/Two-Stage Trigger CTI-2022659	17	1 Rocker + 2 Pushbuttons w/Deadman Lever CTI-2022686	44
4 Switch (Horz) CTI-2022660	18	1 Rocker + 2 Pushbuttons w/Proprtional Trigger CTI-2022687	45
4 Switch (Horz) w/Bi-Directional Trigger CTI-2022661	19	1 Rocker + 2 Pushbuttons w/Standard Trigger CTI-2022688	46
4 Switch (Horz) w/Deadman Lever CTI-2022662	20	1 Rocker + 2 Pushbuttons w/Two-Stage Trigger CTI-2022689	47
4 Switch (Horz) w/Proportional Trigger CTI-2022663	21	2 Rockers + 2 Pushbuttons CTI-2022690	48
4 Switch (Horz) w/Standard Trigger CTI-2022664	22	2 Rockers + 2 Pushbuttons w/Bi-Directional Trigger CTI-2022691	49
4 Switch (Horz) w/Two-Stage Trigger CTI-2022665	23	2 Rockers + 2 Pushbuttons w/Deadman Lever CTI-2022692	50
6 Switch CTI-2022666	24	2 Rockers + 2 Pushbuttons w/Proportional Trigger CTI-2022693	51
6 Switch w/Bi-Directional Trigger CTI-2022667	25	2 Rockers + 2 Pushbuttons w/Standard Trigger CTI-2022694	52
6 Switch w/Deadman Lever CTI-2022668	26	2 Rockers + 2 Pushbuttons w/Two-Stage Trigger CTI-2022695	53
6 Switch w/Proportional Trigger CTI-2022669	27		

www.cyber-tech.net

sales@cyber-tech.net

Toll Free: 1.800.621.8754

1.503.620.2285

Fax: 1.503.620.8580



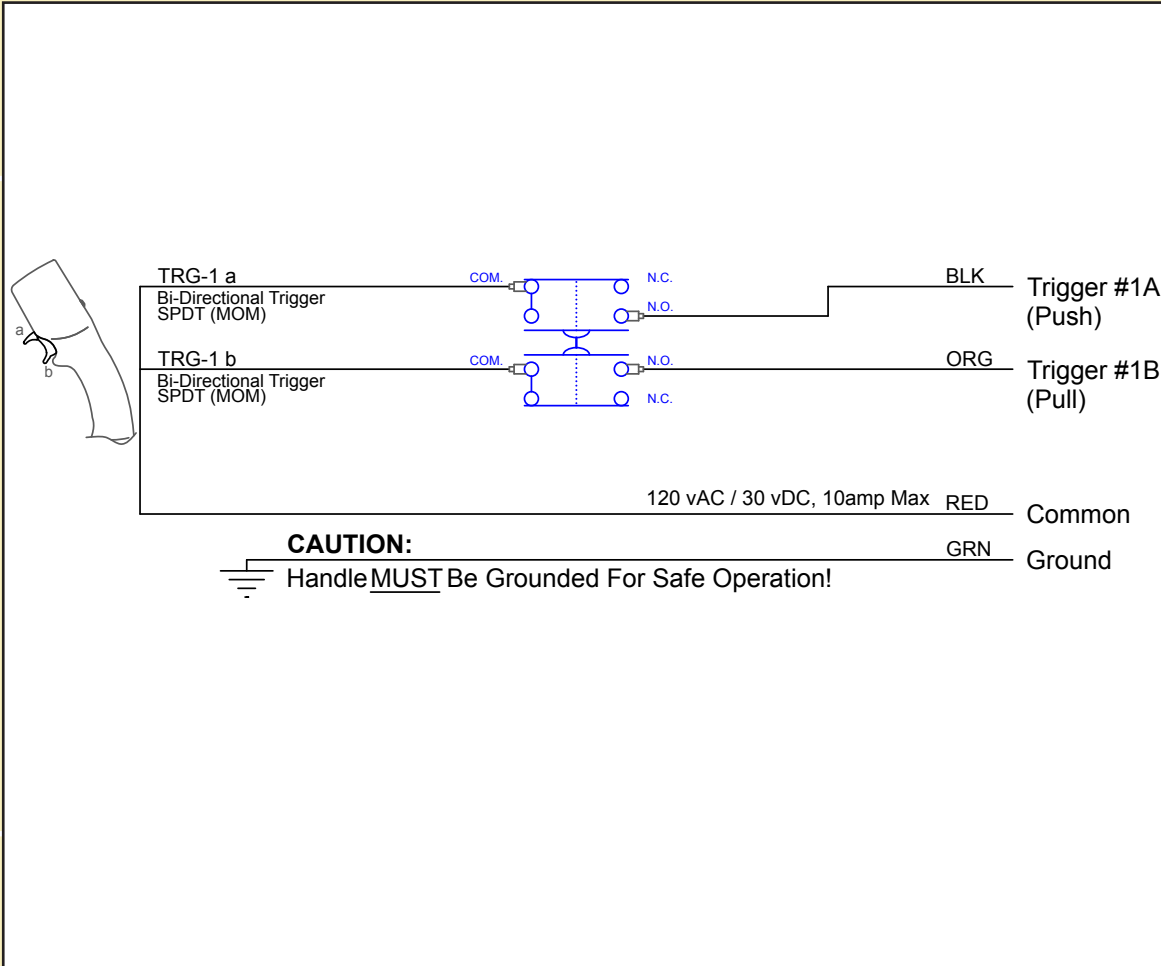
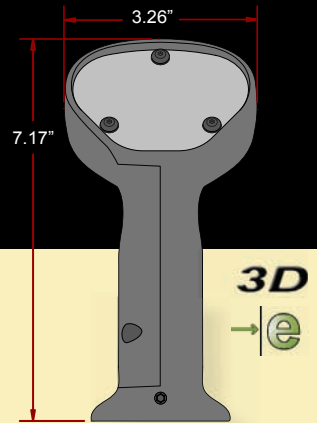
8901-D FlexCore

0 Switch w/Bi-Direct Trigger
Part Number CTI-2022643

Control Features

- Mounting Thread: 1/2-14NPT
- Standard Switching: 120VAC / 30VDC @ 10amp.
- Switch Life Cycle: 10,000,000
- Electrical Cable: 6ft Standard, 20AWG, MIL Spec.
- Joystick Compatibility: Mounts to all Joysticks w/Adaptors
- Housing Material: Die Cast Aluminum, Powder Coated
- Faceplate Decal: Back Printed LEXAN.

CYBER-TECH, Inc.



Part Number CTI-2022643

**0 Switch
 w/Bi-Directional Trigger**

Cyber-Tech, Inc.

Toll Free: 1.800.621.8754

1.503.620.2285 Fax: 1.503.620.8580

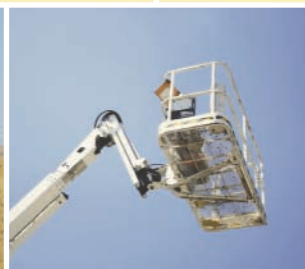
www.cyber-tech.net sales@cyber-tech.net

Standard Replacment Components

- Standard Switch: 32-S-95-10
- Flex-Core Actuator: 76-070024-01
- Switch Leaf Spring 14-LS-95
- Bi-Directional Trigger 76-100014-10

Optional Components

See 8901-D Product Page and Brochure at www.cyber-tech.net



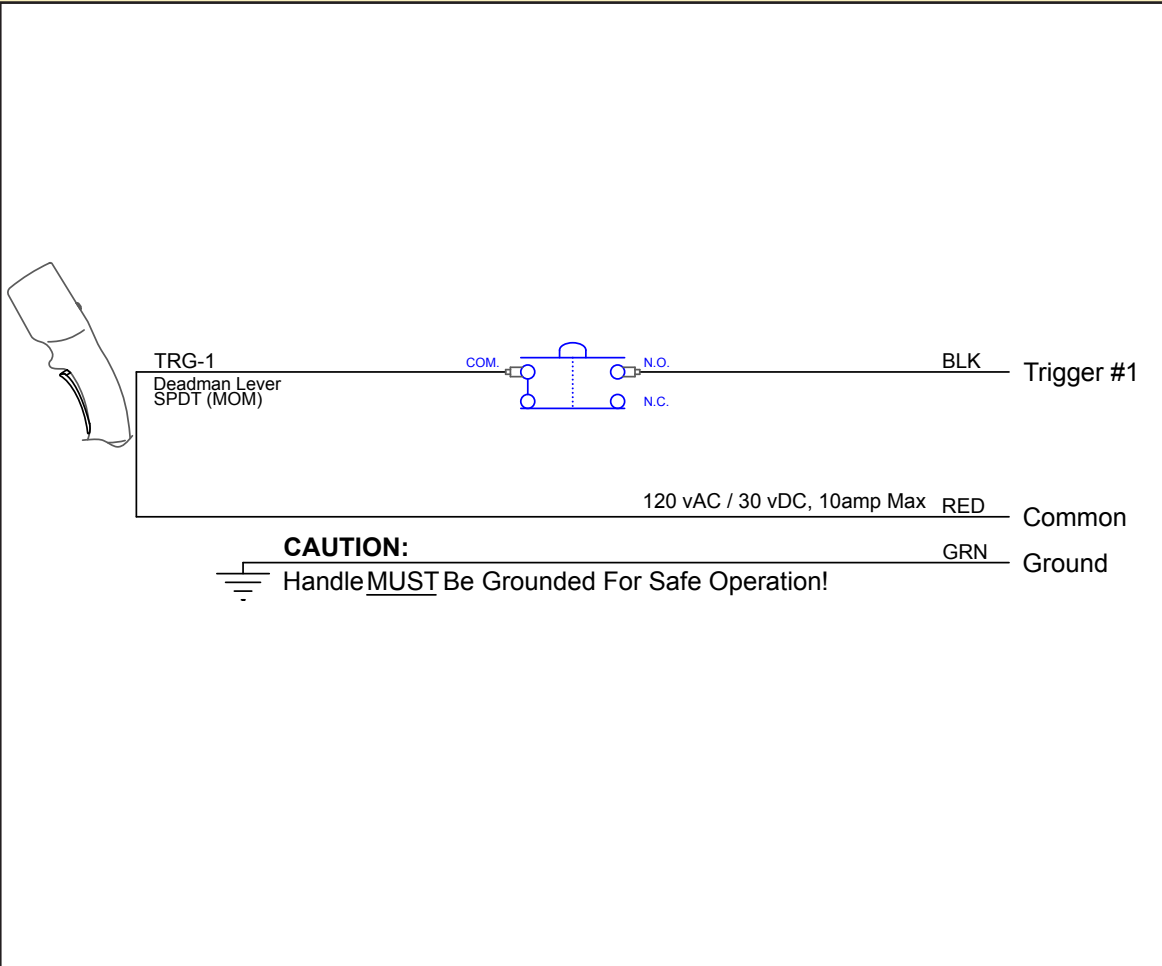
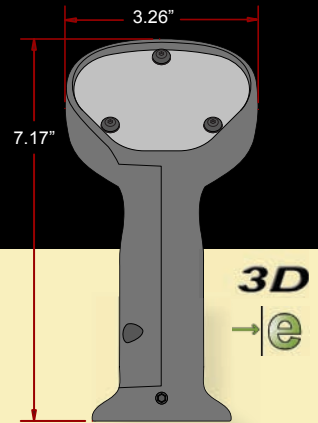
8901-D FlexCore

0 Switch w/Deadman Lever
Part Number CTI-2022644

Control Features

- Mounting Thread: 1/2-14NPT
- Standard Switching: 120VAC / 30VDC @ 10amp.
- Switch Life Cycle: 10,000,000
- Electrical Cable: 6ft Standard, 20AWG, MIL Spec.
- Joystick Compatibility: Mounts to all Joysticks w/Adaptors
- Housing Material: Die Cast Aluminum, Powder Coated
- Faceplate Decal: Back Printed LEXAN.

CYBER-TECH, Inc.



Part Number CTI-2022644

**0 Switch
w/Deadman Lever**

Cyber-Tech, Inc.

Toll Free: 1.800.621.8754

1.503.620.2285 Fax: 1.503.620.8580

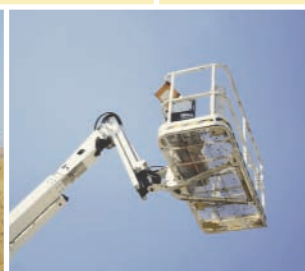
www.cyber-tech.net sales@cyber-tech.net

Standard Replacment Components

- Standard Switch: 32-S-95-10
- Switch Leaf Spring 14-LS-95
- Deadman Lever 76-100016-10

Optional Components

See 8901-D Product Page and Brochure at www.cyber-tech.net



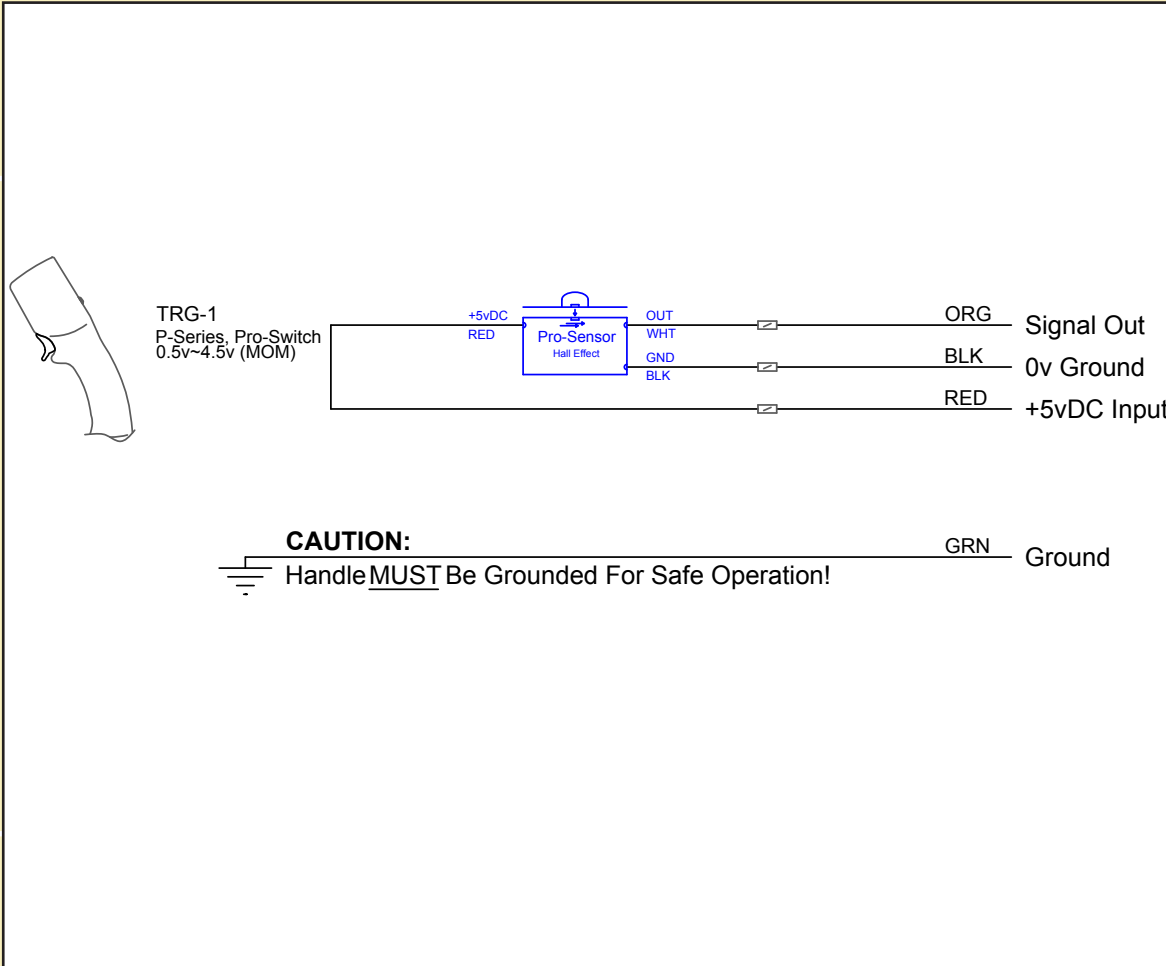
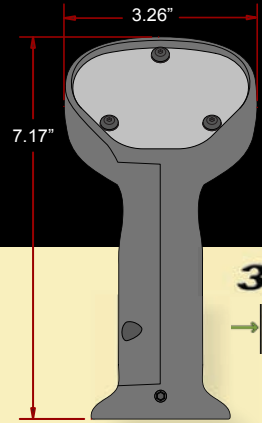
8901-D FlexCore

0 Switch w/Proportional Trigger
Part Number CTI-2022645

Control Features

- Mounting Thread: 1/2-14NPT
- Standard Switching: 120VAC / 30VDC @ 10amp.
- Switch Life Cycle: 10,000,000
- Electrical Cable: 6ft Standard, 20AWG, MIL Spec.
- Joystick Compatibility: Mounts to all Joysticks w/Adaptors
- Housing Material: Die Cast Aluminum, Powder Coated
- Faceplate Decal: Back Printed LEXAN.

CYBER-TECH, Inc.



Part Number CTI-2022645

**0 Switch
w/Proportional Trigger**

Cyber-Tech, Inc.

Toll Free: 1.800.621.8754

1.503.620.2285 Fax: 1.503.620.8580

www.cyber-tech.net sales@cyber-tech.net

Standard Replacment Components

- Trigger Spring 14-TS-070045-01
- Pro Trigger Assem 76-100015-01
- Proportional Sensor 32-070029-01

Optional Components

See 8901-D Product Page and Brochure at www.cyber-tech.net



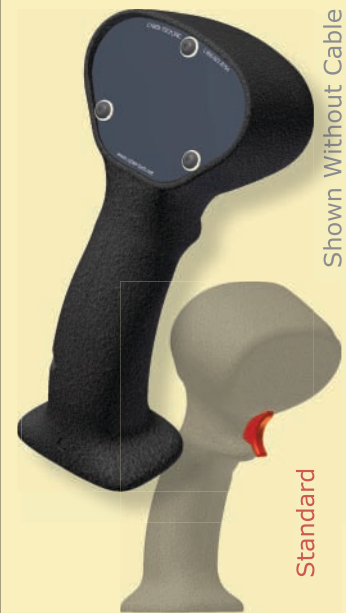
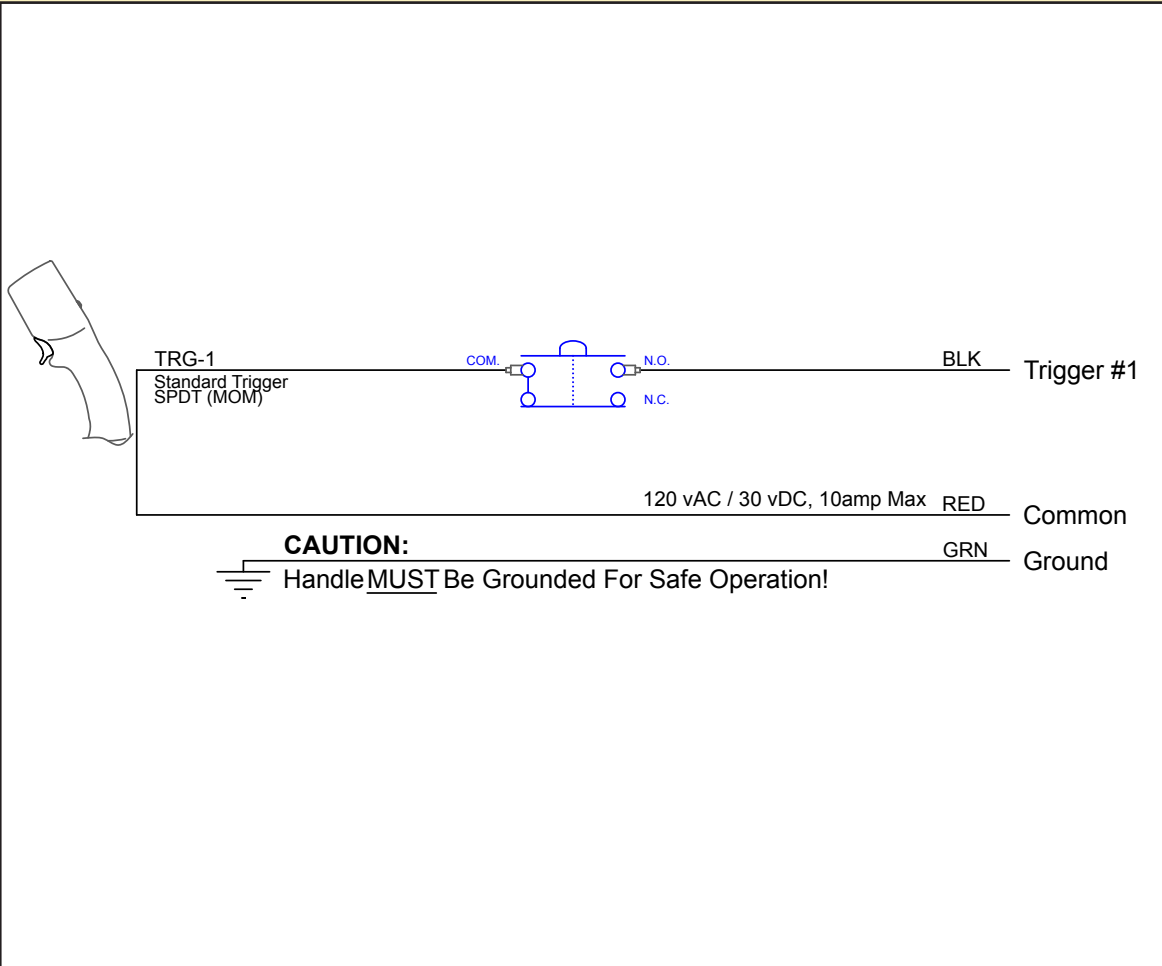
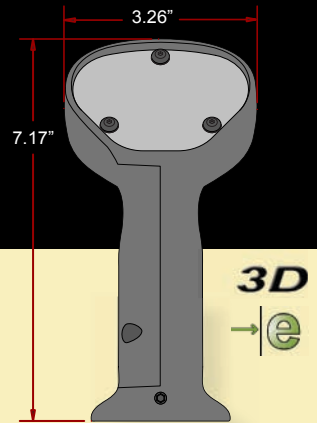
8901-D FlexCore

0 Switch w/Standard Trigger
Part Number CTI-2022646

Control Features

- Mounting Thread: 1/2-14NPT
- Standard Switching: 120VAC / 30VDC @ 10amp.
- Switch Life Cycle: 10,000,000
- Electrical Cable: 6ft Standard, 20AWG, MIL Spec.
- Joystick Compatibility: Mounts to all Joysticks w/Adaptors
- Housing Material: Die Cast Aluminum, Powder Coated
- Faceplate Decal: Back Printed LEXAN.

CYBER-TECH, Inc.



Part Number CTI-2022646

**0 Switch
w/Standard Trigger**

Cyber-Tech, Inc.

Toll Free: 1.800.621.8754

1.503.620.2285 Fax: 1.503.620.8580

www.cyber-tech.net sales@cyber-tech.net

Standard Replacment Components

- Standard Switch: 32-S-95-10
- Switch Leaf Spring 14-LS-95
- Standard Trigger 76-100012-10

Optional Components

See 8901-D Product Page and Brochure at www.cyber-tech.net



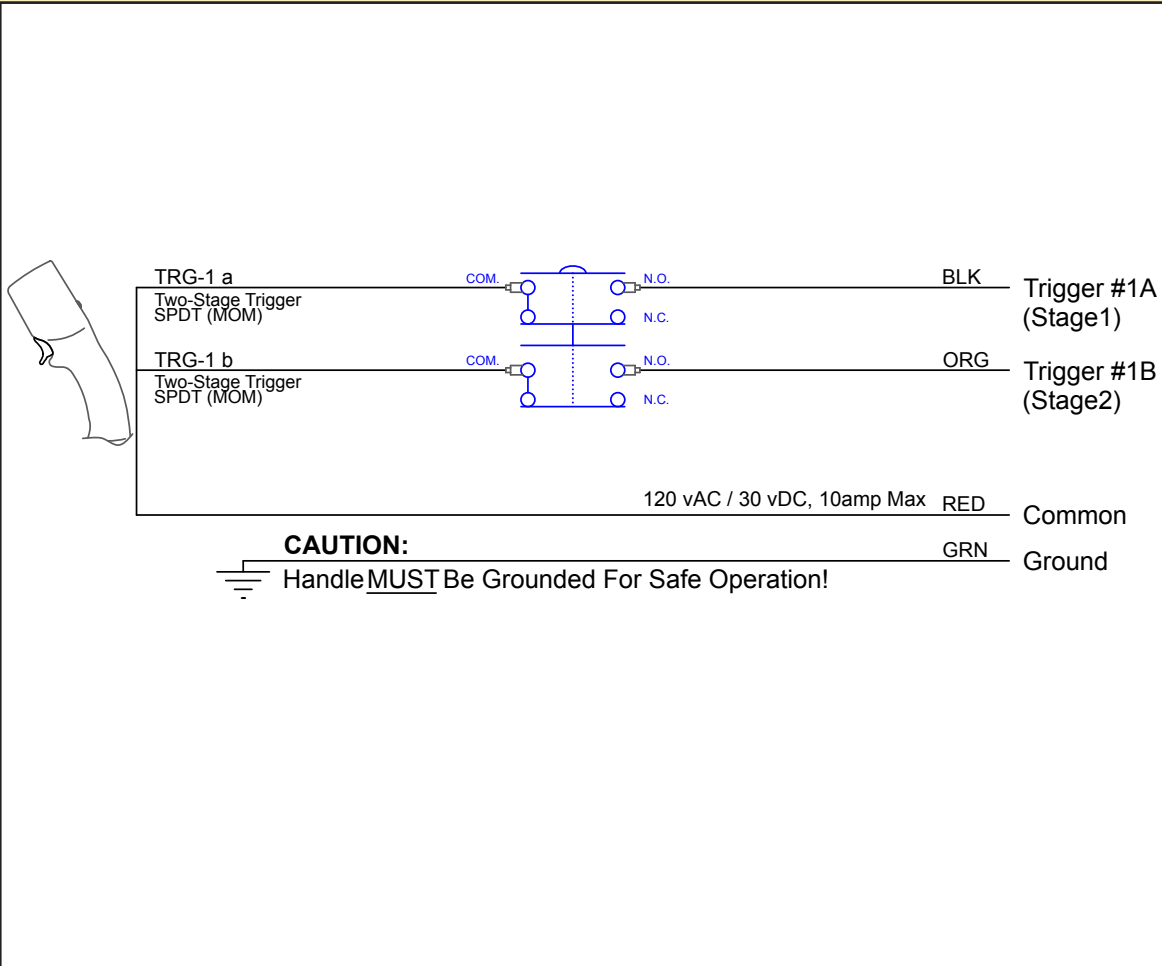
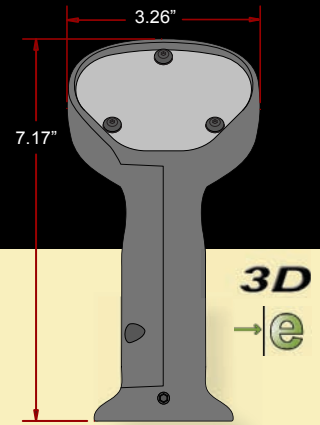
8901-D FlexCore

0 Switch w/Two-Stage Trigger
Part Number CTI-2022647

Control Features

- Mounting Thread: 1/2-14NPT
- Standard Switching: 120VAC / 30VDC @ 10amp.
- Switch Life Cycle: 10,000,000
- Electrical Cable: 6ft Standard, 20AWG, MIL Spec.
- Joystick Compatibility: Mounts to all Joysticks w/Adaptors
- Housing Material: Die Cast Aluminum, Powder Coated
- Faceplate Decal: Back Printed LEXAN.

CYBER-TECH, Inc.



Part Number CTI-2022647

**0 Switch
 w/Two-Stage Trigger**

Cyber-Tech, Inc.

Toll Free: 1.800.621.8754

1.503.620.2285 Fax: 1.503.620.8580

www.cyber-tech.net sales@cyber-tech.net

Standard Replacment Components

- Standard Switch: 32-S-95-10
- Switch Leaf Spring 14-LS-95
- Two-Stage Trigger 76-100013-10

Optional Components

See 8901-D Product Page and Brochure at www.cyber-tech.net



8901-D FlexCore

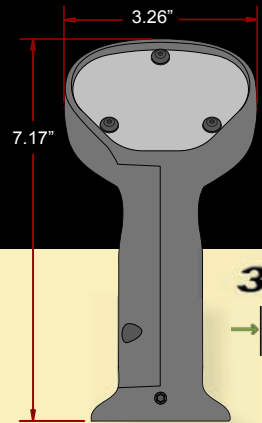
2 Switch

Part Number CTI-2022648

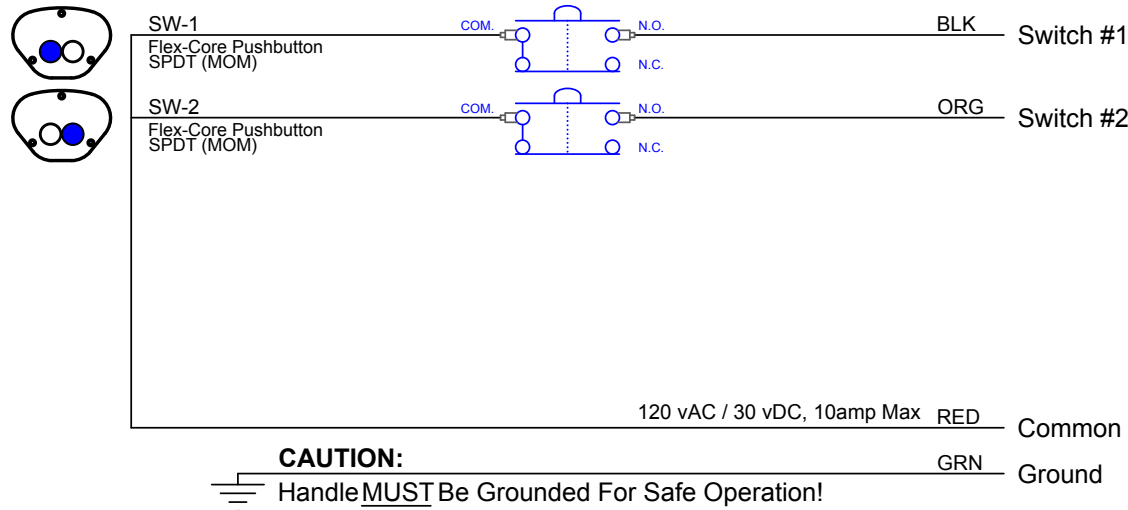
Control Features

- Mounting Thread: 1/2-14NPT
- Standard Switching: 120VAC / 30VDC @ 10amp.
- Switch Life Cycle: 10,000,000
- Electrical Cable: 6ft Standard, 20AWG, MIL Spec.
- Joystick Compatibility: Mounts to all Joysticks w/Adaptors
- Housing Material: Die Cast Aluminum, Powder Coated
- Faceplate Decal: Back Printed LEXAN.

CYBER-TECH, Inc.



3D



Shown Without Cable

Part Number CTI-2022648

2 Switch

Standard Replacment Components

- Standard Switch: 32-S-95-10
- Flex-Core Actuator: 76-070024-01

Cyber-Tech, Inc.

Toll Free: 1.800.621.8754

1.503.620.2285 Fax: 1.503.620.8580

www.cyber-tech.net sales@cyber-tech.net

Optional Components

See 8901-D Product Page and Brochure at www.cyber-tech.net



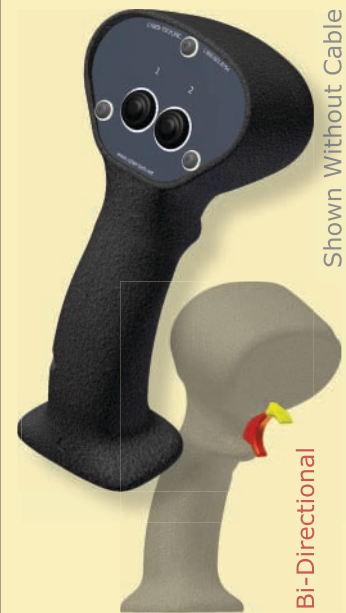
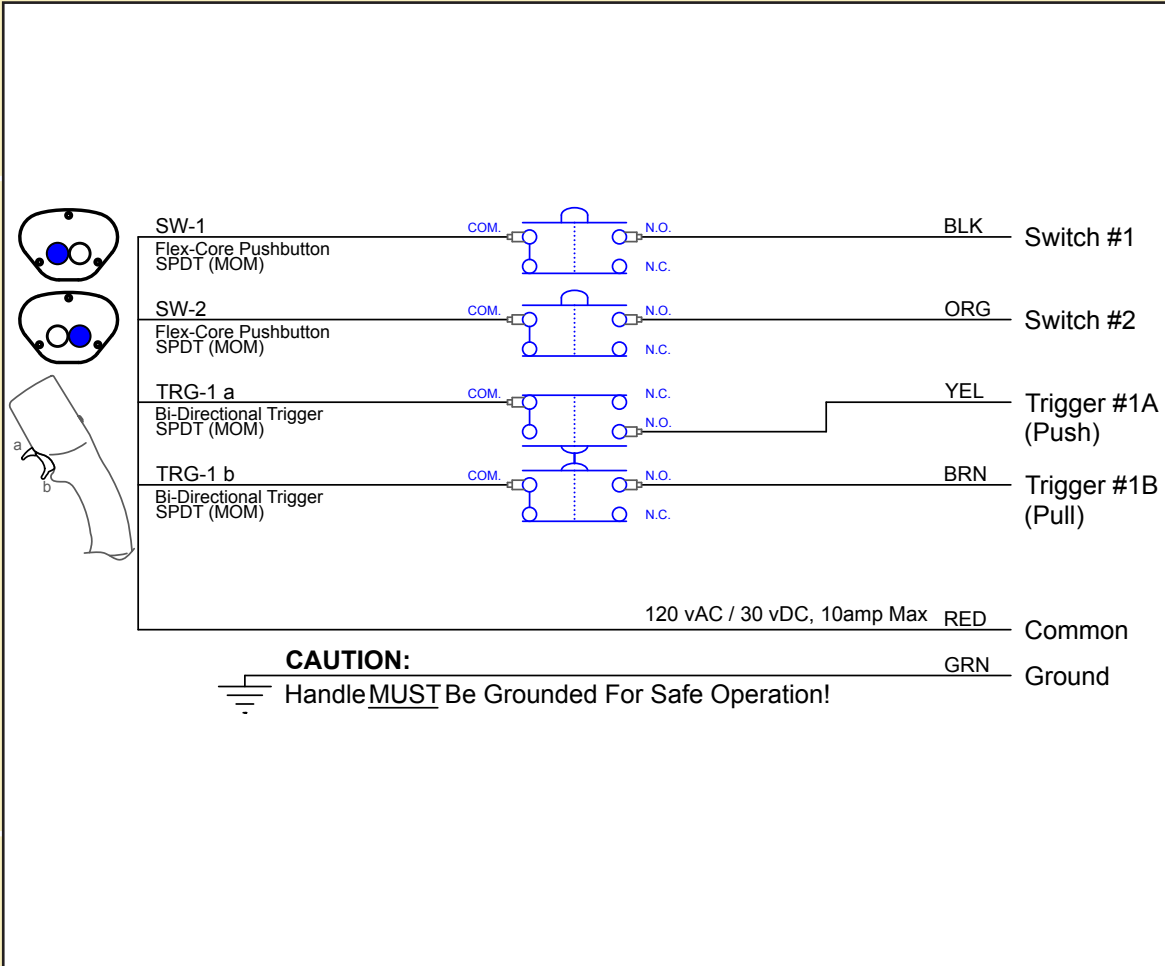
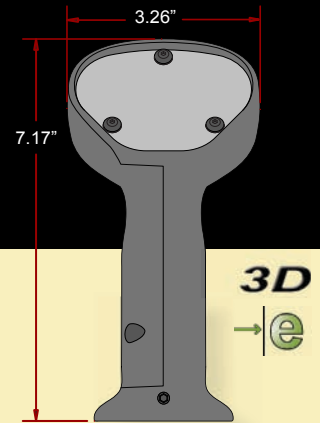
8901-D FlexCore

2 Switch w/Bi-Directional Trigger
Part Number CTI-2022649

Control Features

- Mounting Thread: 1/2-14NPT
- Standard Switching: 120VAC / 30VDC @ 10amp.
- Switch Life Cycle: 10,000,000
- Electrical Cable: 6ft Standard, 20AWG, MIL Spec.
- Joystick Compatibility: Mounts to all Joysticks w/Adaptors
- Housing Material: Die Cast Aluminum, Powder Coated
- Faceplate Decal: Back Printed LEXAN.

CYBER-TECH, Inc.



Part Number CTI-2022649

**2 Switch
 w/Bi-Directional Trigger**

Cyber-Tech, Inc.

Toll Free: 1.800.621.8754

1.503.620.2285 Fax: 1.503.620.8580

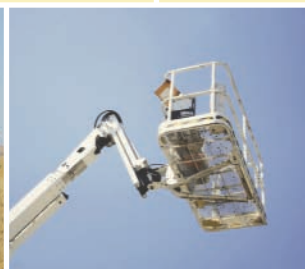
www.cyber-tech.net sales@cyber-tech.net

Standard Replacment Components

- Standard Switch: 32-S-95-10
- Flex-Core Actuator: 76-070024-01
- Switch Leaf Spring 14-LS-95
- Bi-Directional Trigger 76-100014-10

Optional Components

See 8901-D Product Page and Brochure at www.cyber-tech.net



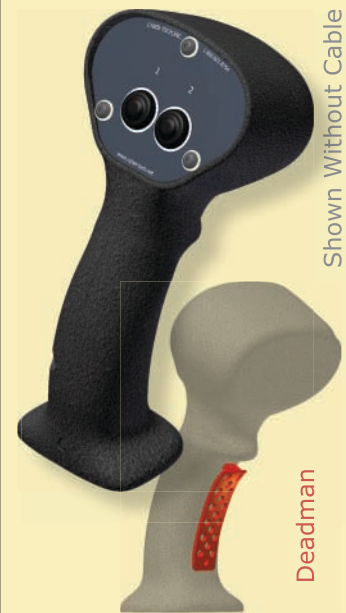
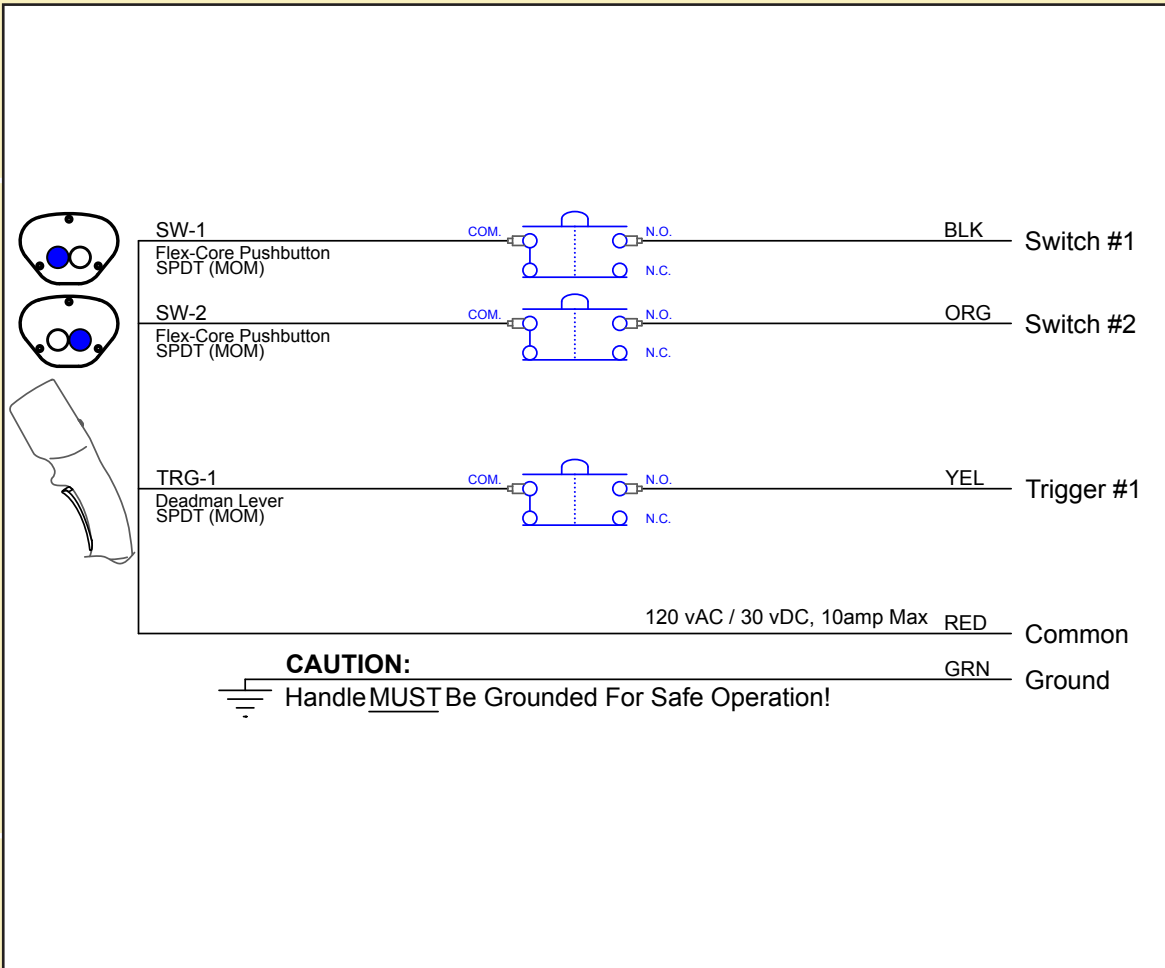
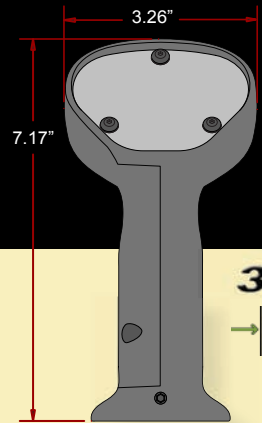
8901-D FlexCore

2 Switch w/Deadman Lever
Part Number CTI-2022650

Control Features

- Mounting Thread: 1/2-14NPT
- Standard Switching: 120VAC / 30VDC @ 10amp.
- Switch Life Cycle: 10,000,000
- Electrical Cable: 6ft Standard, 20AWG, MIL Spec.
- Joystick Compatibility: Mounts to all Joysticks w/Adaptors
- Housing Material: Die Cast Aluminum, Powder Coated
- Faceplate Decal: Back Printed LEXAN.

CYBER-TECH, Inc.



Part Number CTI-2022650

**2 Switch
 w/Deadman Lever**

Cyber-Tech, Inc.

Toll Free: 1.800.621.8754

1.503.620.2285 Fax: 1.503.620.8580

www.cyber-tech.net sales@cyber-tech.net

Standard Replacment Components

- Standard Switch: 32-S-95-10
- Flex-Core Actuator: 76-070024-01
- Switch Leaf Spring 14-LS-95
- Deadman Lever 76-070027-04

Optional Components

See 8901-D Product Page and Brochure at www.cyber-tech.net



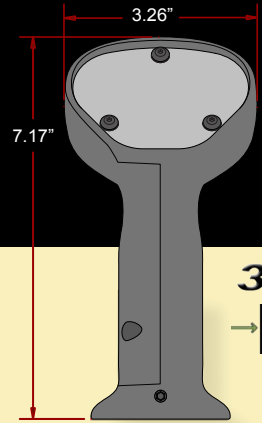
8901-D FlexCore

2 Switch w/Proportional Trigger
Part Number CTI-2022651

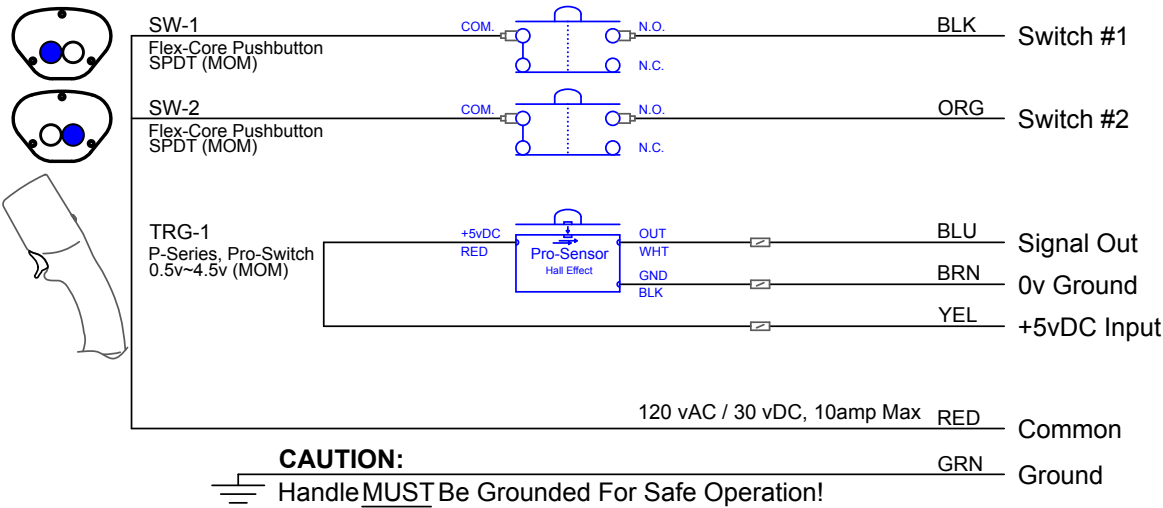
Control Features

- Mounting Thread: 1/2-14NPT
- Standard Switching: 120VAC / 30VDC @ 10amp.
- Switch Life Cycle: 10,000,000
- Electrical Cable: 6ft Standard, 20AWG, MIL Spec.
- Joystick Compatibility: Mounts to all Joysticks w/Adaptors
- Housing Material: Die Cast Aluminum, Powder Coated
- Faceplate Decal: Back Printed LEXAN.

CYBER-TECH, Inc.



3D



Part Number CTI-2022651

2 Switch w/Proportional Trigger

Cyber-Tech, Inc.

Toll Free: 1.800.621.8754

1.503.620.2285 Fax: 1.503.620.8580

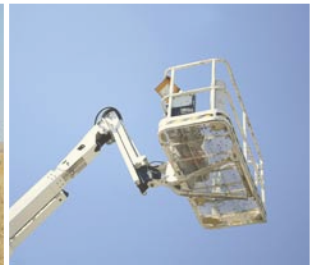
www.cyber-tech.net sales@cyber-tech.net

Standard Replacment Components

- Standard Switch: 32-S-95-10
- Flex-Core Actuator: 76-070024-01
- Trigger Spring 14-TS-070045-01
- Proportional Trigger 76-100015-01
- Proportional Sensor 32-070029-01

Optional Components

See 8901-D Product Page and Brochure at www.cyber-tech.net



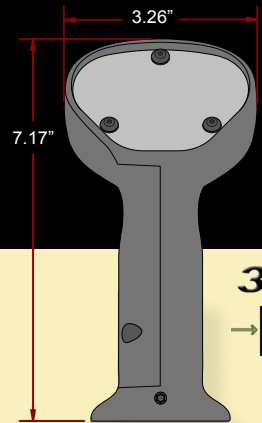
8901-D FlexCore

2 Switch w/Standard Trigger
Part Number CTI-2022652

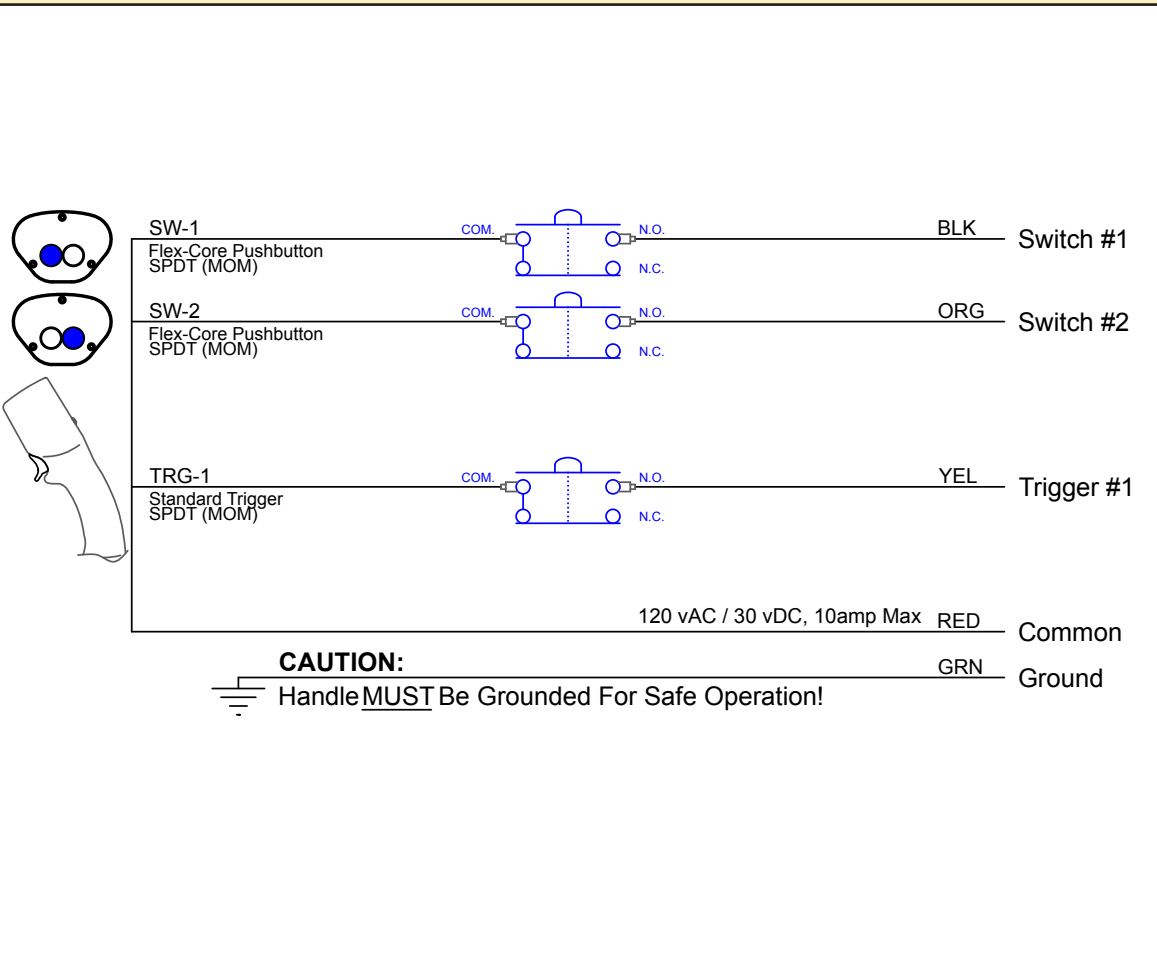
Control Features

- Mounting Thread: 1/2-14NPT
- Standard Switching: 120VAC / 30VDC @ 10amp.
- Switch Life Cycle: 10,000,000
- Electrical Cable: 6ft Standard, 20AWG, MIL Spec.
- Joystick Compatibility: Mounts to all Joysticks w/Adaptors
- Housing Material: Die Cast Aluminum, Powder Coated
- Faceplate Decal: Back Printed LEXAN.

CYBER-TECH, Inc.



3D



Part Number CTI-2022652

**2 Switch
w/Standard Trigger**

Cyber-Tech, Inc.

Toll Free: 1.800.621.8754

1.503.620.2285 Fax: 1.503.620.8580

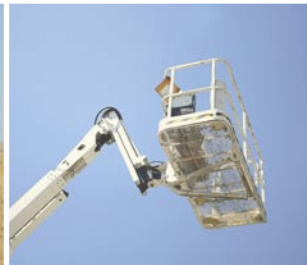
www.cyber-tech.net sales@cyber-tech.net

Standard Replacment Components

- Standard Switch: 32-S-95-10
- Flex-Core Actuator: 76-070024-01
- Switch Leaf Spring 14-LS-95
- Standard Trigger 76-100012-10

Optional Components

See 8901-D Product Page and Brochure at www.cyber-tech.net



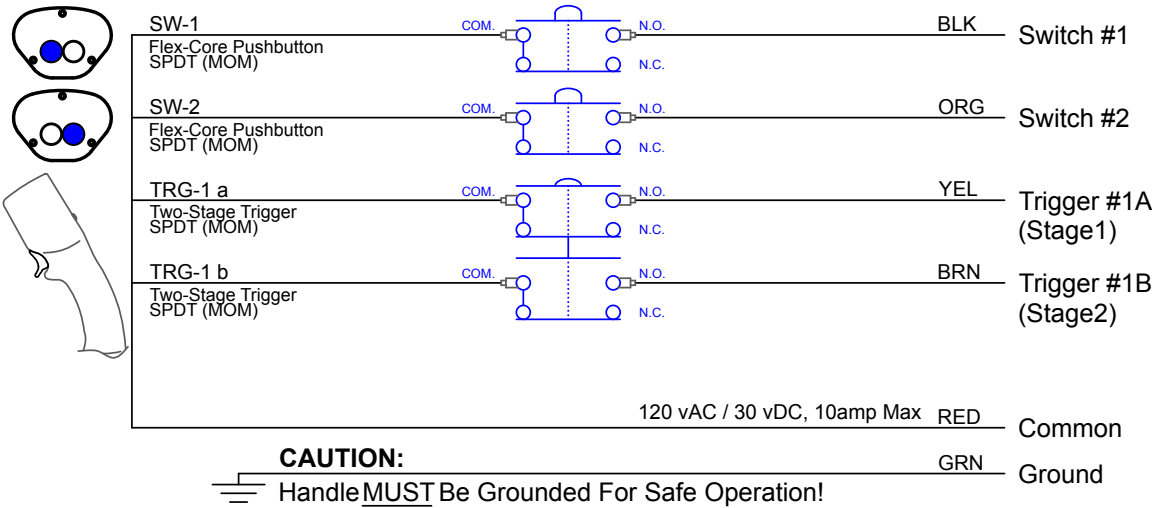
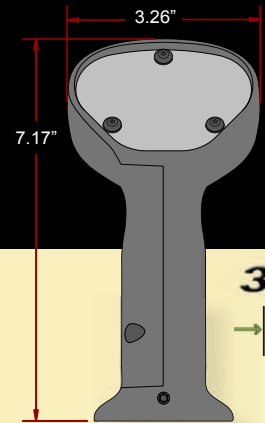
8901-D FlexCore

2 Switch w/Two-Stage Trigger
Part Number CTI-2022653

Control Features

- Mounting Thread: 1/2-14NPT
- Standard Switching: 120VAC / 30VDC @ 10amp.
- Switch Life Cycle: 10,000,000
- Electrical Cable: 6ft Standard, 20AWG, MIL Spec.
- Joystick Compatibility: Mounts to all Joysticks w/Adaptors
- Housing Material: Die Cast Aluminum, Powder Coated
- Faceplate Decal: Back Printed LEXAN.

CYBER-TECH, Inc.



Part Number CTI-2022653

**2 Switch
 w/Two-Stage Trigger**

Cyber-Tech, Inc.

Toll Free: 1.800.621.8754

1.503.620.2285 Fax: 1.503.620.8580

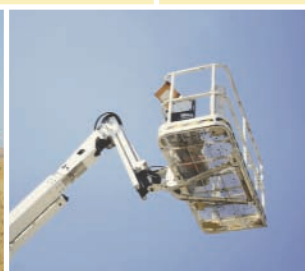
www.cyber-tech.net sales@cyber-tech.net

Standard Replacment Components

- Standard Switch: 32-S-95-10
- Flex-Core Actuator: 76-070024-01
- Switch Leaf Spring 14-LS-95
- Two-Stage Trigger 76-100013-10

Optional Components

See 8901-D Product Page and Brochure at www.cyber-tech.net



8901-D FlexCore

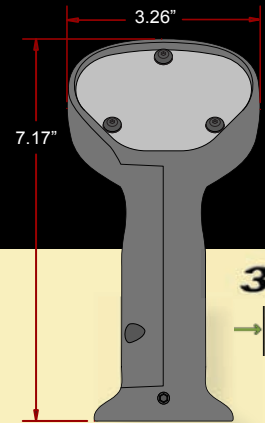
4 Switch

Part Number CTI-2022654

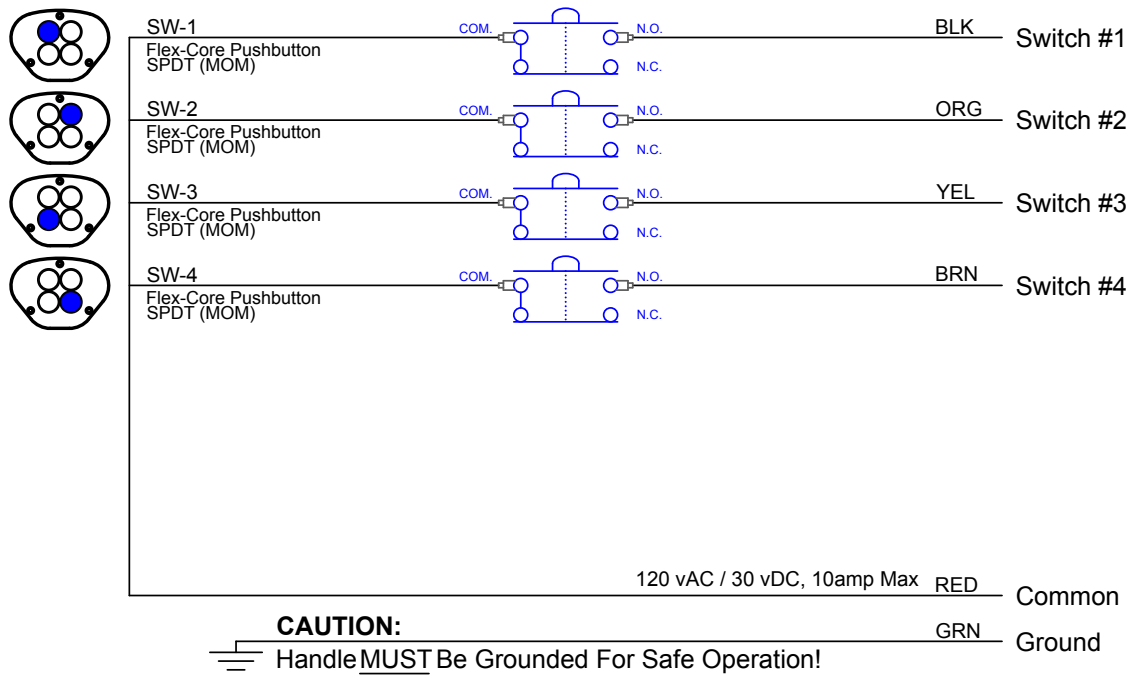
Control Features

- Mounting Thread: 1/2-14NPT
- Standard Switching: 120VAC / 30VDC @ 10amp.
- Switch Life Cycle: 10,000,000
- Electrical Cable: 6ft Standard, 20AWG, MIL Spec.
- Joystick Compatibility: Mounts to all Joysticks w/Adaptors
- Housing Material: Die Cast Aluminum, Powder Coated
- Faceplate Decal: Back Printed LEXAN.

CYBER-TECH, Inc.



3D



Shown Without Cable

Part Number CTI-2022654

4 Switch

Standard Replacment Components

- Standard Switch: 32-S-95-10
- Flex-Core Actuator: 76-070024-01

Cyber-Tech, Inc.

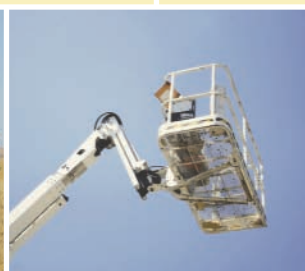
Toll Free: 1.800.621.8754

1.503.620.2285 Fax: 1.503.620.8580

www.cyber-tech.net sales@cyber-tech.net

Optional Components

See 8901-D Product Page and Brochure at www.cyber-tech.net



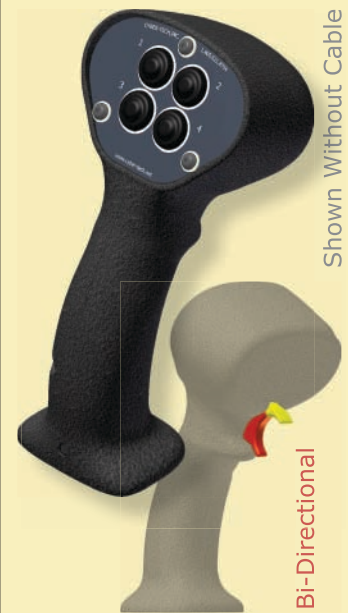
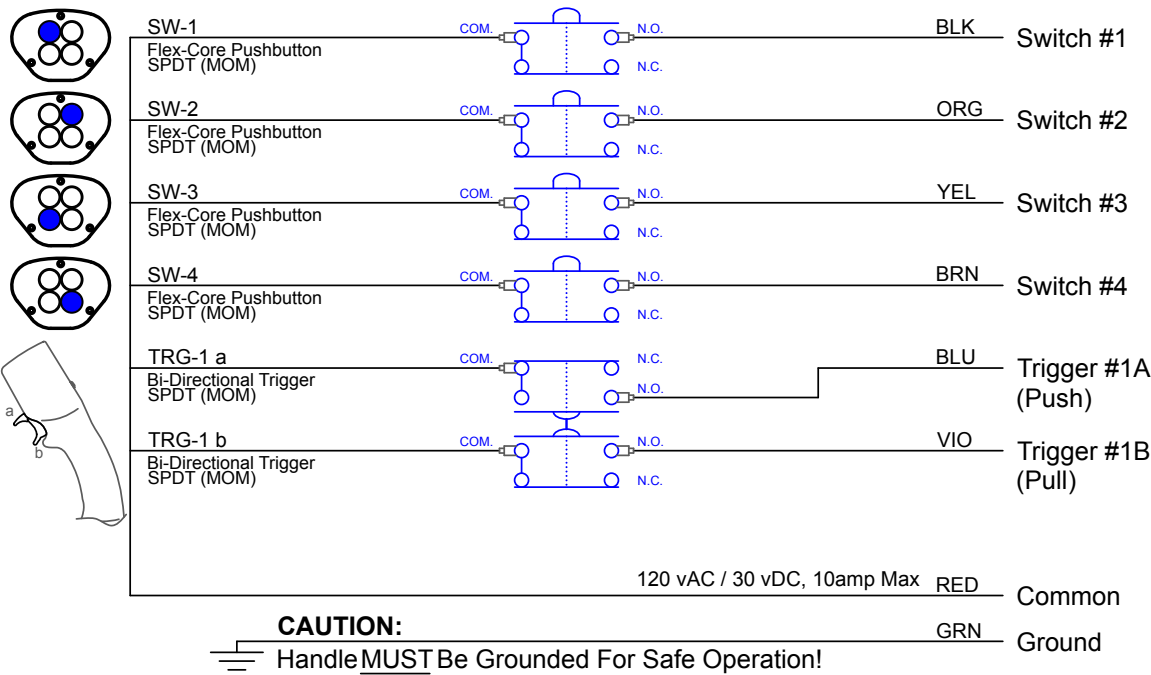
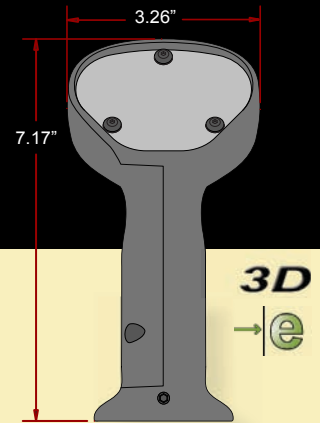
8901-D FlexCore

4 Switch w/Bi-Direct Trigger
Part Number CTI-2022655

Control Features

- Mounting Thread: 1/2-14NPT
- Standard Switching: 120VAC / 30VDC @ 10amp.
- Switch Life Cycle: 10,000,000
- Electrical Cable: 6ft Standard, 20AWG, MIL Spec.
- Joystick Compatibility: Mounts to all Joysticks w/Adaptors
- Housing Material: Die Cast Aluminum, Powder Coated
- Faceplate Decal: Back Printed LEXAN.

CYBER-TECH, Inc.



Part Number CTI-2022655

**4 Switch
 w/Bi-Directional Trigger**

Cyber-Tech, Inc.

Toll Free: 1.800.621.8754

1.503.620.2285 Fax: 1.503.620.8580

www.cyber-tech.net sales@cyber-tech.net

Standard Replacment Components

- Standard Switch: 32-S-95-10
- Flex-Core Actuator: 76-070024-01
- Switch Leaf Spring 14-LS-95
- Trigger Lever 76-100014-10

Optional Components

See 8901-D Product Page and Brochure at www.cyber-tech.net



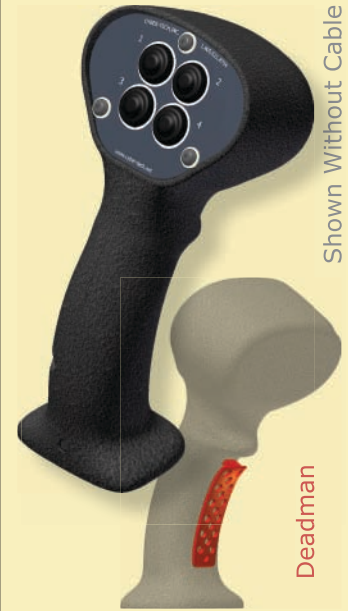
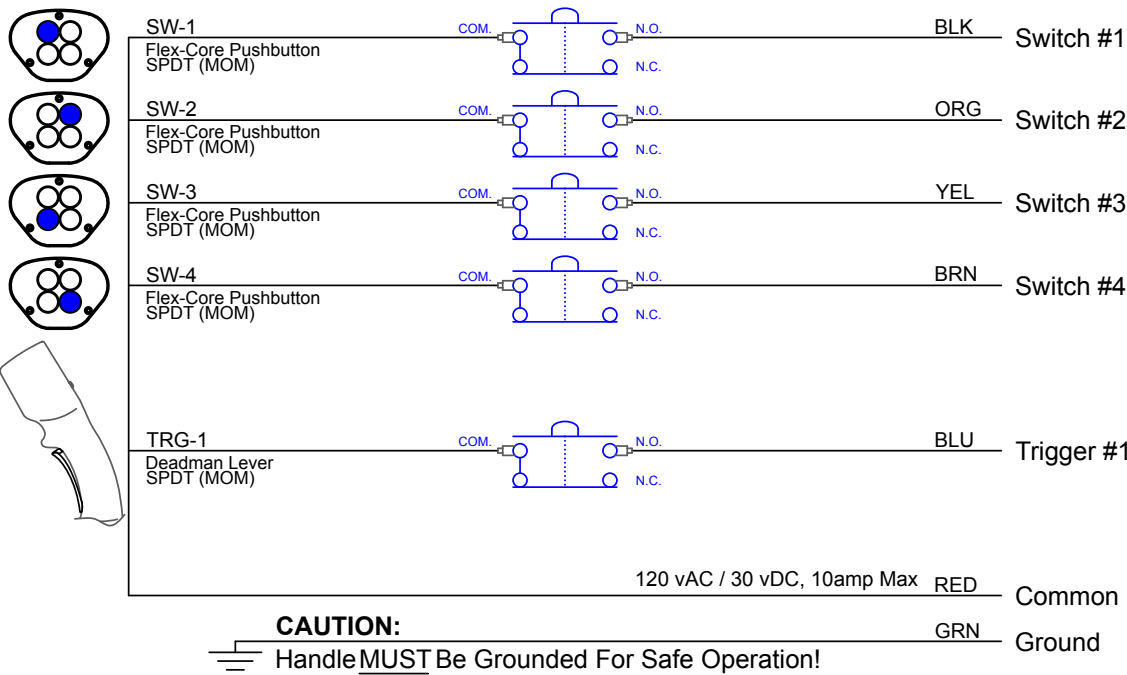
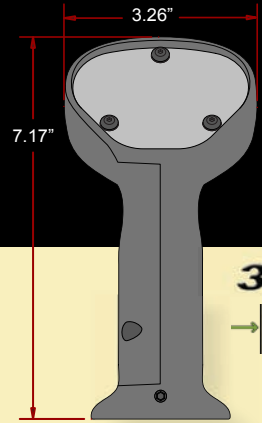
8901-D FlexCore

4 Switch w/Deadman Lever
Part Number CTI-2022656

Control Features

- Mounting Thread: 1/2-14NPT
- Standard Switching: 120VAC / 30VDC @ 10amp.
- Switch Life Cycle: 10,000,000
- Electrical Cable: 6ft Standard, 20AWG, MIL Spec.
- Joystick Compatibility: Mounts to all Joysticks w/Adaptors
- Housing Material: Die Cast Aluminum, Powder Coated
- Faceplate Decal: Back Printed LEXAN.

CYBER-TECH, Inc.



Part Number CTI-2022656

4 Switch w/Deadman Lever

Cyber-Tech, Inc.

Toll Free: 1.800.621.8754

1.503.620.2285 Fax: 1.503.620.8580

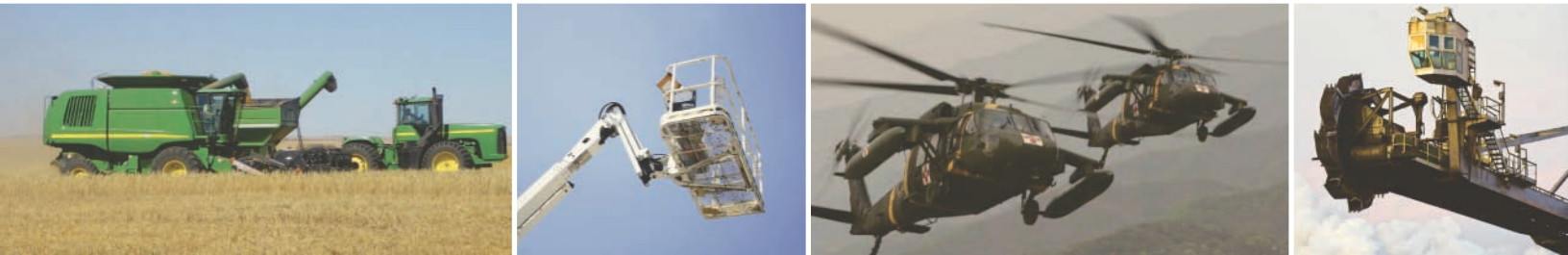
www.cyber-tech.net sales@cyber-tech.net

Standard Replacment Components

- Standard Switch: 32-S-95-10
- Flex-Core Actuator: 76-070024-01
- Switch Leaf Spring 14-LS-95
- Deadman Lever 76-070027-04

Optional Components

See 8901-D Product Page and Brochure at www.cyber-tech.net



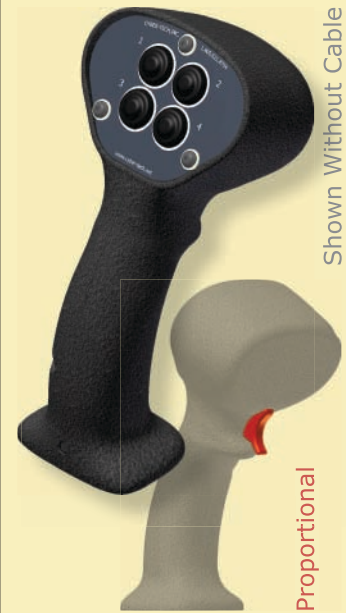
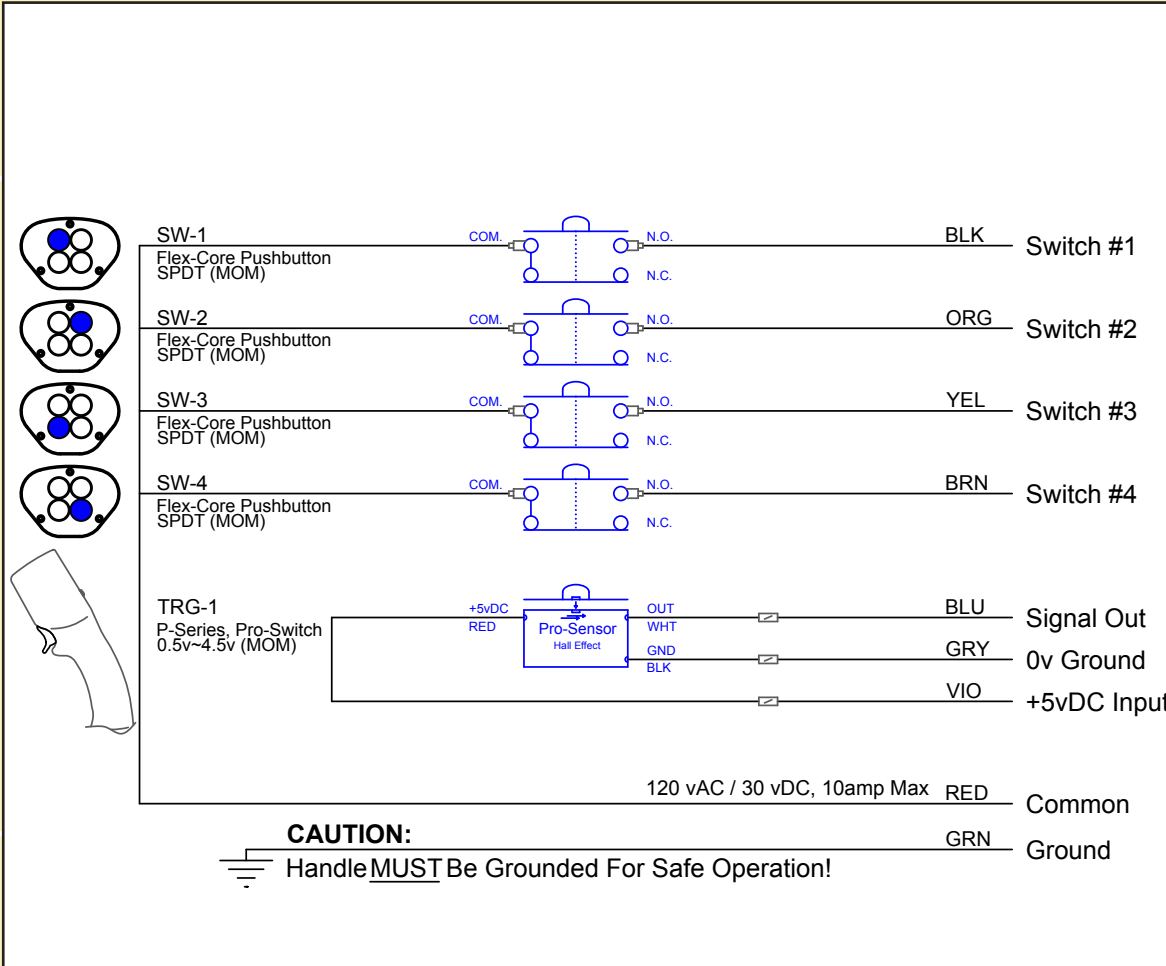
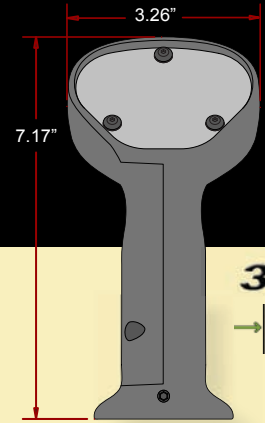
8901-D FlexCore

4 Switch w/Proportional Trigger
Part Number CTI-2022657

Control Features

- Mounting Thread: 1/2-14NPT
- Standard Switching: 120VAC / 30VDC @ 10amp.
- Switch Life Cycle: 10,000,000
- Electrical Cable: 6ft Standard, 20AWG, MIL Spec.
- Joystick Compatibility: Mounts to all Joysticks w/Adaptors
- Housing Material: Die Cast Aluminum, Powder Coated
- Faceplate Decal: Back Printed LEXAN.

CYBER-TECH, Inc.



Part Number CTI-2022657

**4 Switch
 w/Proportional Trigger**

Cyber-Tech, Inc.

Toll Free: 1.800.621.8754

1.503.620.2285 Fax: 1.503.620.8580

www.cyber-tech.net sales@cyber-tech.net

Standard Replacment Components

- Standard Switch: 32-S-95-10
- Flex-Core Actuator: 76-070024-01
- Trigger Spring: 14-TS-070045-01
- Proportional Trigger: 76-100015-01
- Proportional Sensor: 32-070029-01

Optional Components

See 8901-D Product Page and Brochure at www.cyber-tech.net



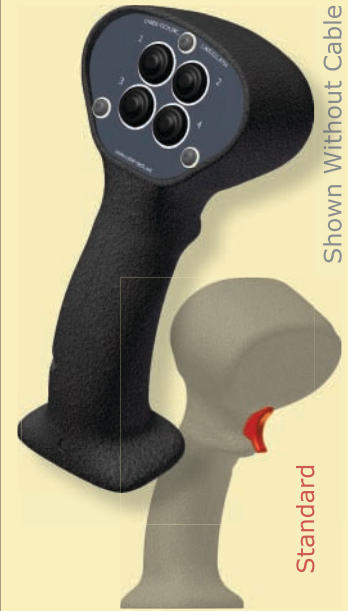
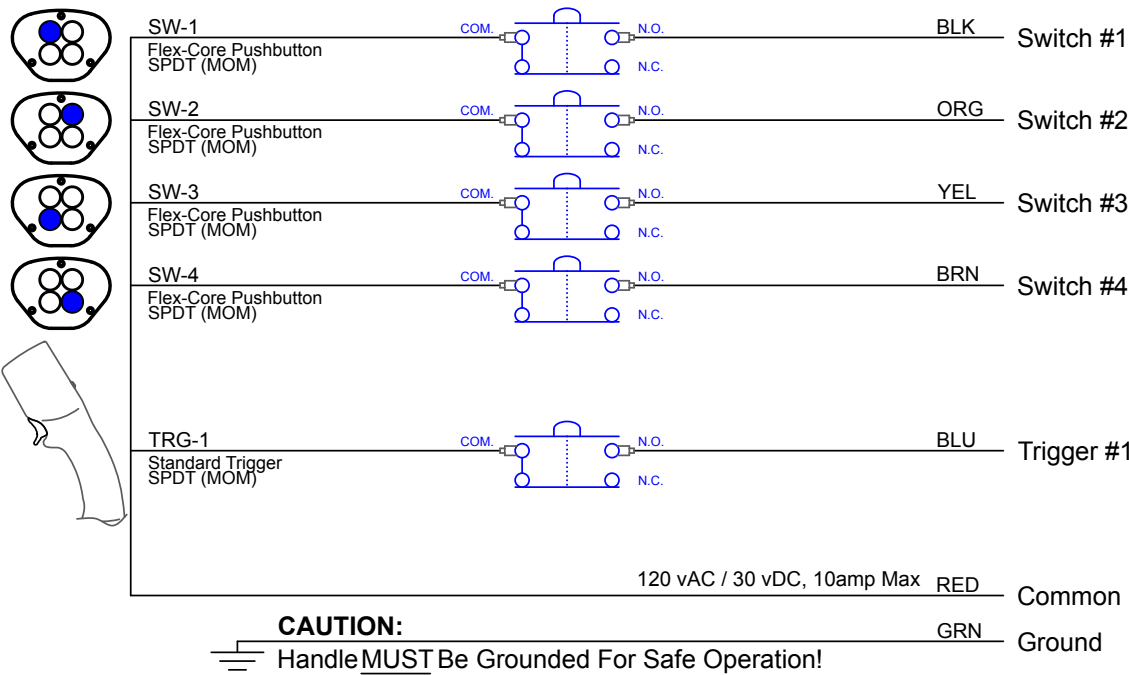
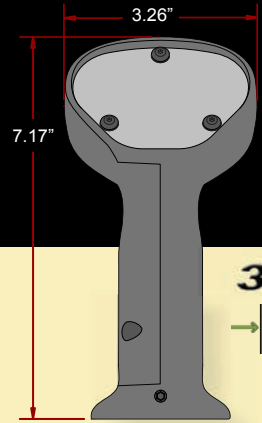
8901-D FlexCore

4 Switch w/Standard Trigger Part Number CTI-2022658

Control Features

- Mounting Thread: 1/2-14NPT
- Standard Switching: 120VAC / 30VDC @ 10amp.
- Switch Life Cycle: 10,000,000
- Electrical Cable: 6ft Standard, 20AWG, MIL Spec.
- Joystick Compatibility: Mounts to all Joysticks w/Adaptors
- Housing Material: Die Cast Aluminum, Powder Coated
- Faceplate Decal: Back Printed LEXAN.

CYBER-TECH, Inc.



Part Number CTI-2022658

4 Switch w/Standard Trigger

Cyber-Tech, Inc.

Toll Free: 1.800.621.8754

1.503.620.2285 Fax: 1.503.620.8580

www.cyber-tech.net sales@cyber-tech.net

Standard Replacment Components

- Standard Switch: 32-S-95-10
- Flex-Core Actuator: 76-070024-01
- Switch Leaf Spring 14-LS-95
- Standard Trigger 76-100012-10

Optional Components

See 8901-D Product Page and Brochure at www.cyber-tech.net



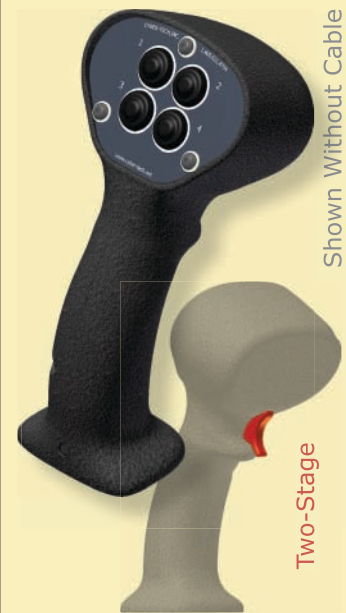
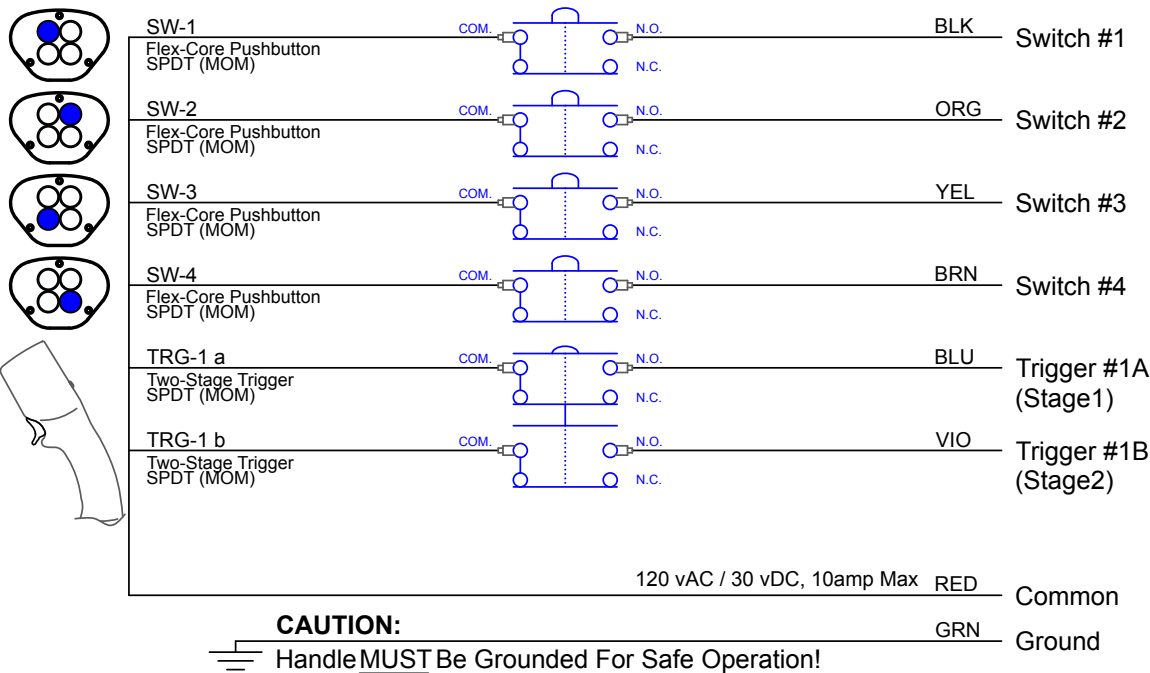
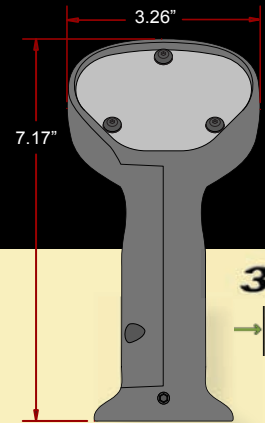
8901-D FlexCore

4 Switch w/Two-Stage Trigger
Part Number CTI-2022659

Control Features

- Mounting Thread: 1/2-14NPT
- Standard Switching: 120VAC / 30VDC @ 10amp.
- Switch Life Cycle: 10,000,000
- Electrical Cable: 6ft Standard, 20AWG, MIL Spec.
- Joystick Compatibility: Mounts to all Joysticks w/Adaptors
- Housing Material: Die Cast Aluminum, Powder Coated
- Faceplate Decal: Back Printed LEXAN.

CYBER-TECH, Inc.



Part Number CTI-2022659

**4 Switch
 w/Two-Stage Trigger**

Cyber-Tech, Inc.

Toll Free: 1.800.621.8754

1.503.620.2285 Fax: 1.503.620.8580

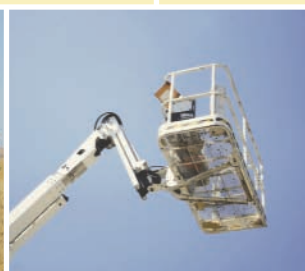
www.cyber-tech.net sales@cyber-tech.net

Standard Replacment Components

- Standard Switch: 32-S-95-10
- Flex-Core Actuator: 76-070024-01
- Switch Leaf Spring 14-LS-95
- Two-Stage Trigger 76-100013-10

Optional Components

See 8901-D Product Page and Brochure at www.cyber-tech.net



8901-D FlexCore

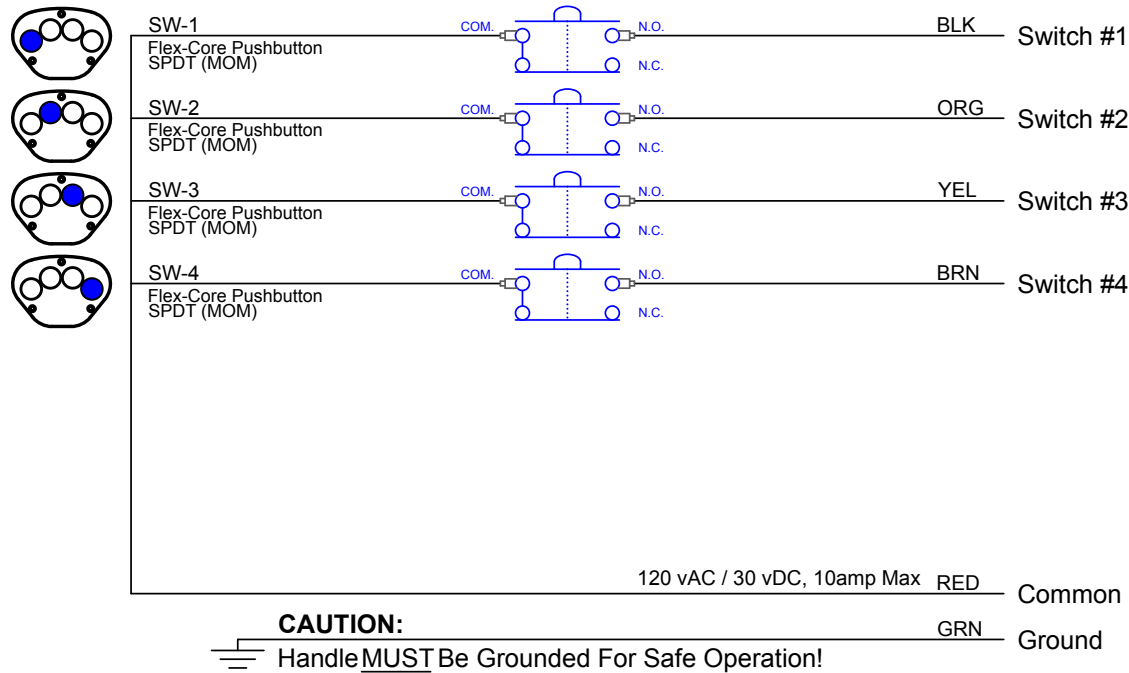
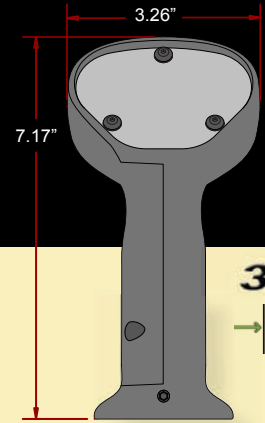
4 Switch (Horz)

Part Number CTI-2022660

Control Features

- Mounting Thread: 1/2-14NPT
- Standard Switching: 120VAC / 30VDC @ 10amp.
- Switch Life Cycle: 10,000,000
- Electrical Cable: 6ft Standard, 20AWG, MIL Spec.
- Joystick Compatibility: Mounts to all Joysticks w/Adaptors
- Housing Material: Die Cast Aluminum, Powder Coated
- Faceplate Decal: Back Printed LEXAN.

CYBER-TECH, Inc.



Shown Without Cable

Part Number CTI-2022660
4 Switch (Horz)

Standard Replacment Components

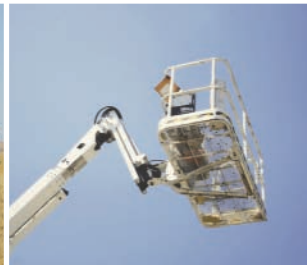
- Standard Switch: 32-S-95-10
- Flex-Core Actuator: 76-070024-01

Cyber-Tech, Inc.

Toll Free: 1.800.621.8754
 1.503.620.2285 Fax: 1.503.620.8580
 www.cyber-tech.net sales@cyber-tech.net

Optional Components

See 8901-D Product Page and Brochure at www.cyber-tech.net



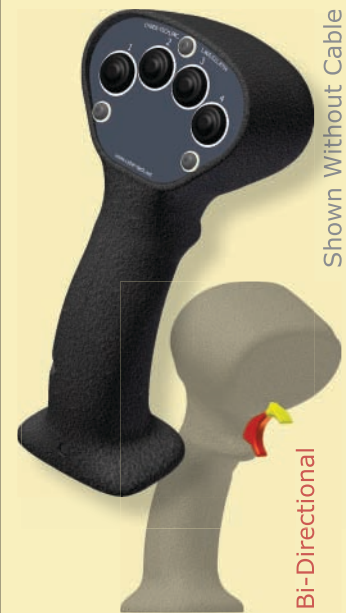
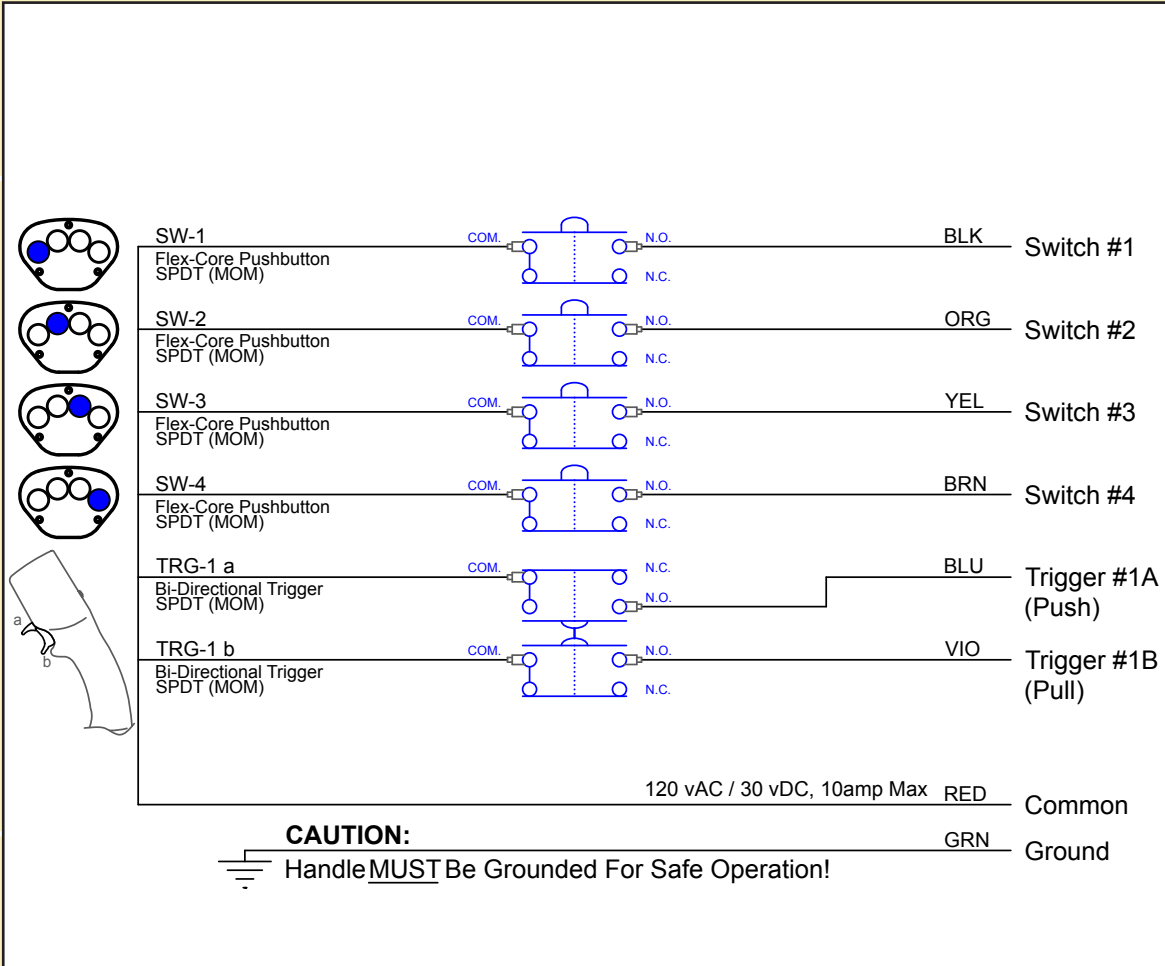
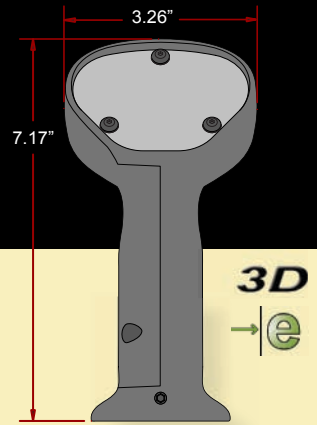
8901-D FlexCore

P. 19
4 Switch (Horz) w/Bi-Direct Trigger
Part Number CTI-2022661

Control Features

- Mounting Thread: 1/2-14NPT
- Standard Switching: 120VAC / 30VDC @ 10amp.
- Switch Life Cycle: 10,000,000
- Electrical Cable: 6ft Standard, 20AWG, MIL Spec.
- Joystick Compatibility: Mounts to all Joysticks w/Adaptors
- Housing Material: Die Cast Aluminum, Powder Coated
- Faceplate Decal: Back Printed LEXAN.

CYBER-TECH, Inc.



Part Number CTI-2022661
4 Switch (Horz)
w/Bi-Directional Trigger

Cyber-Tech, Inc.

Toll Free: 1.800.621.8754

1.503.620.2285 Fax: 1.503.620.8580

www.cyber-tech.net sales@cyber-tech.net

Standard Replacment Components

- Standard Switch: 32-S-95-10
- Flex-Core Actuator: 76-070024-01
- Switch Leaf Spring 14-LS-95
- Bi-Directional Trigger 76-100014-10

Optional Components

See 8901-D Product Page and Brochure at www.cyber-tech.net

P. 19



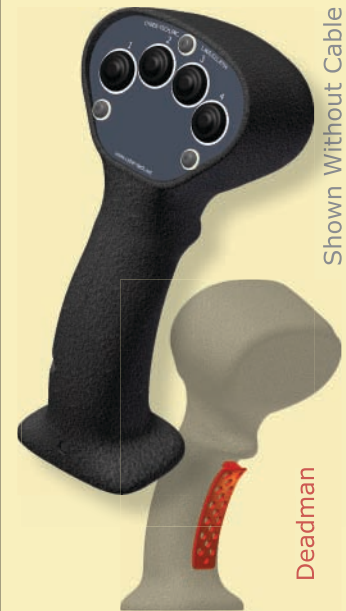
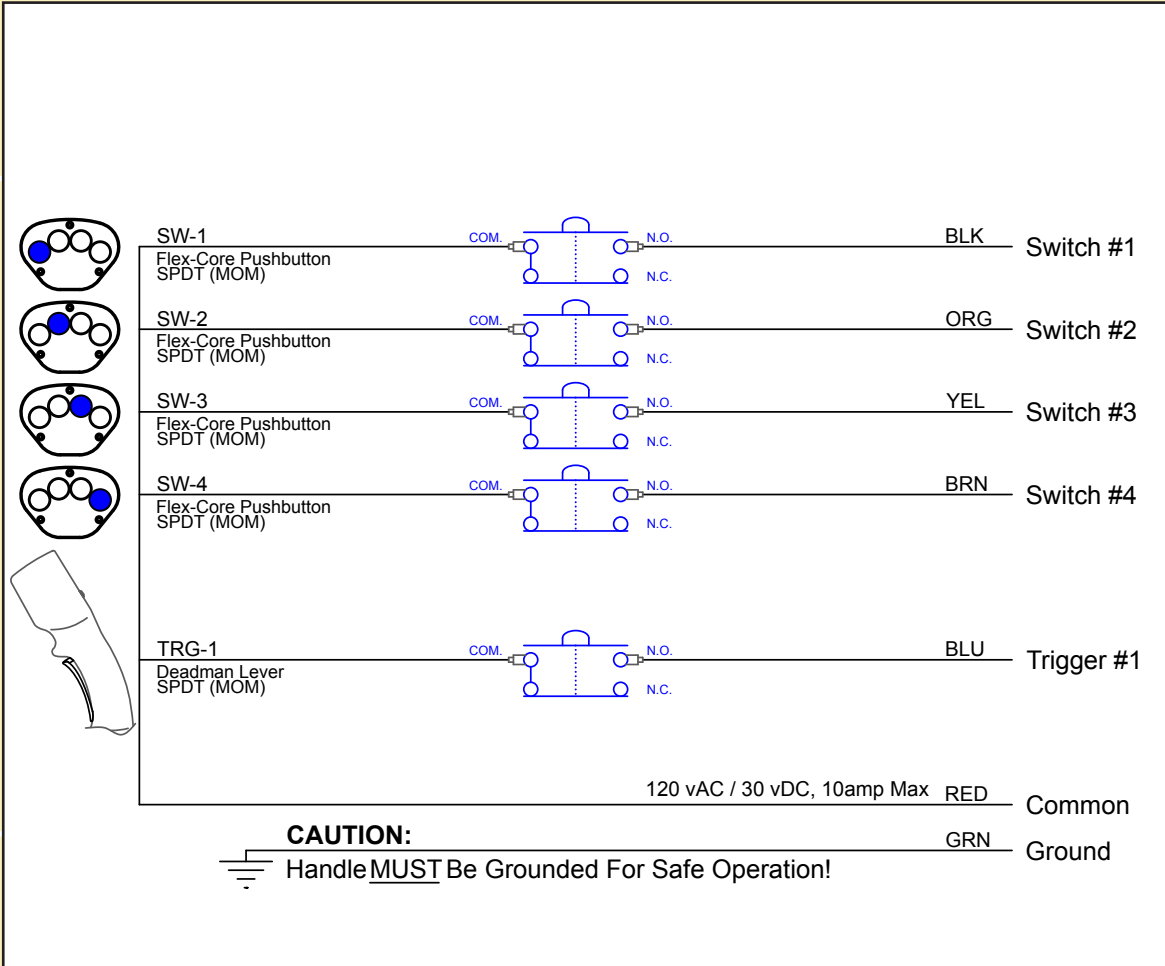
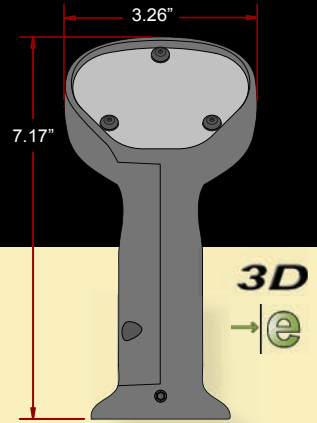
8901-D FlexCore

4 Switch (Horz) w/Deadman Lever
Part Number CTI-2022662

Control Features

- Mounting Thread: 1/2-14NPT
- Standard Switching: 120VAC / 30VDC @ 10amp.
- Switch Life Cycle: 10,000,000
- Electrical Cable: 6ft Standard, 20AWG, MIL Spec.
- Joystick Compatibility: Mounts to all Joysticks w/Adaptors
- Housing Material: Die Cast Aluminum, Powder Coated
- Faceplate Decal: Back Printed LEXAN.

CYBER-TECH, Inc.



Part Number CTI-2022662

4 Switch (Horz) w/Deadman Lever

Cyber-Tech, Inc.

Toll Free: 1.800.621.8754

1.503.620.2285 Fax: 1.503.620.8580

www.cyber-tech.net sales@cyber-tech.net

Standard Replacment Components

- Standard Switch: 32-S-95-10
- Flex-Core Actuator: 76-070024-01
- Switch Leaf Spring 14-LS-95
- Deadman Lever 76-070027-04

Optional Components

See 8901-D Product Page and Brochure at www.cyber-tech.net



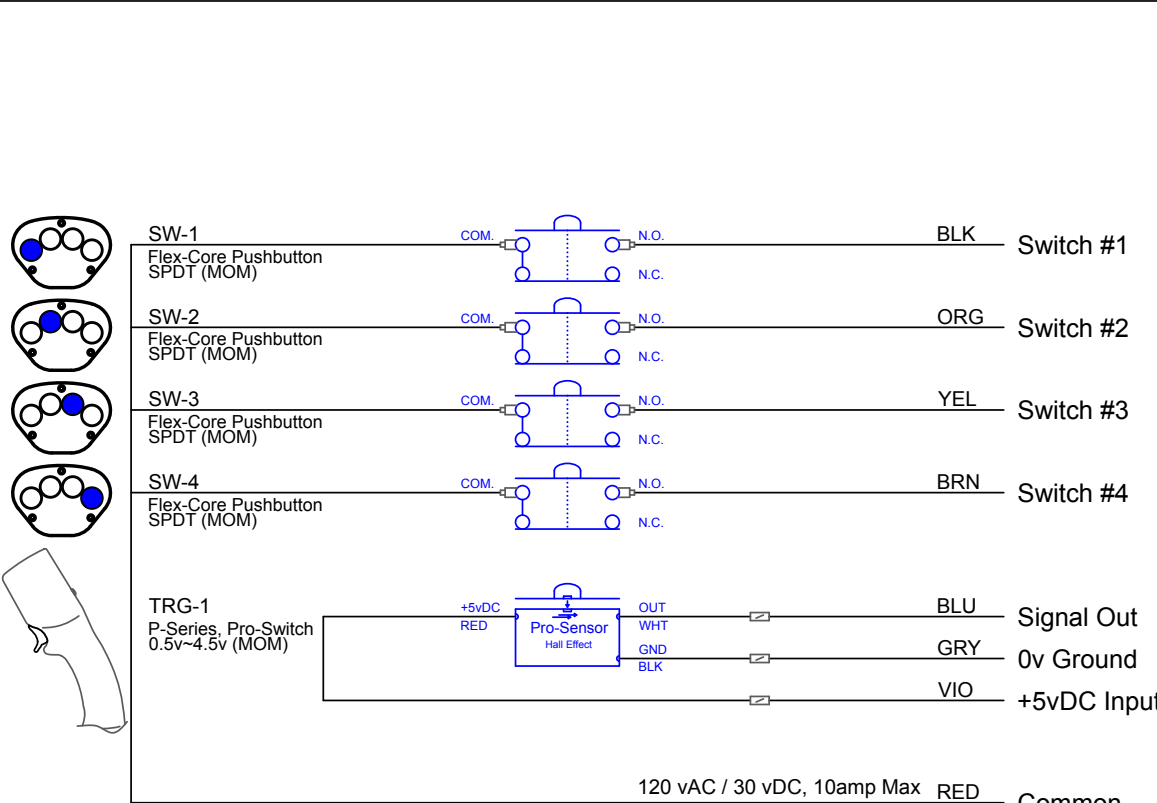
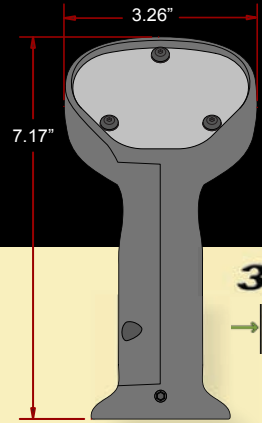
8901-D FlexCore

4 Switch (Horz) w/Pro Trigger Part Number CTI-2022663

Control Features

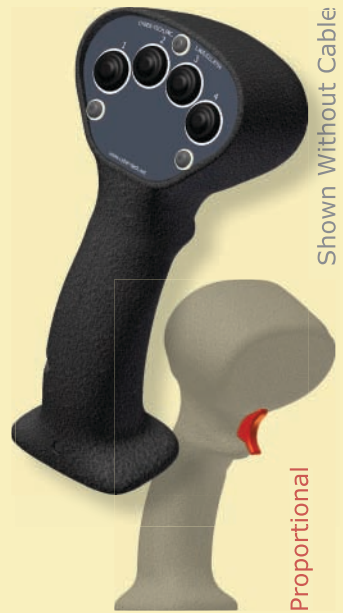
- Mounting Thread: 1/2-14NPT
- Standard Switching: 120VAC / 30VDC @ 10amp.
- Switch Life Cycle: 10,000,000
- Electrical Cable: 6ft Standard, 20AWG, MIL Spec.
- Joystick Compatibility: Mounts to all Joysticks w/Adaptors
- Housing Material: Die Cast Aluminum, Powder Coated
- Faceplate Decal: Back Printed LEXAN.

CYBER-TECH, Inc.



120 vAC / 30 vDC, 10amp Max
 RED Common
 GRN Ground

CAUTION:
 Handle MUST Be Grounded For Safe Operation!



Part Number CTI-2022663

4 Switch (Horz) w/Proportional Trigger

Cyber-Tech, Inc.

Toll Free: 1.800.621.8754

1.503.620.2285 Fax: 1.503.620.8580

www.cyber-tech.net sales@cyber-tech.net

Standard Replacment Components

- Standard Switch: 32-S-95-10
- Flex-Core Actuator: 76-070024-01
- Trigger Spring 14-TS-070046-01
- Proportional Trigger 76-100015-01P
- Proportional Sensor 32-070029-01

Optional Components

See 8901-D Product Page and Brochure at www.cyber-tech.net



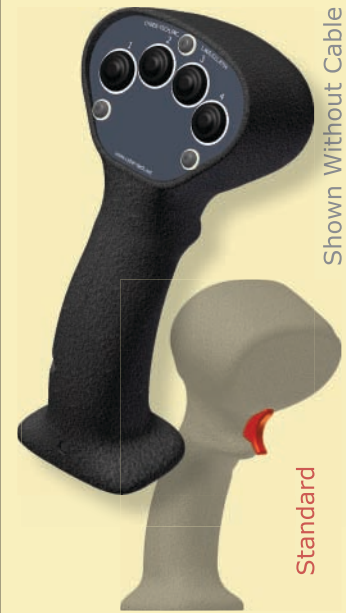
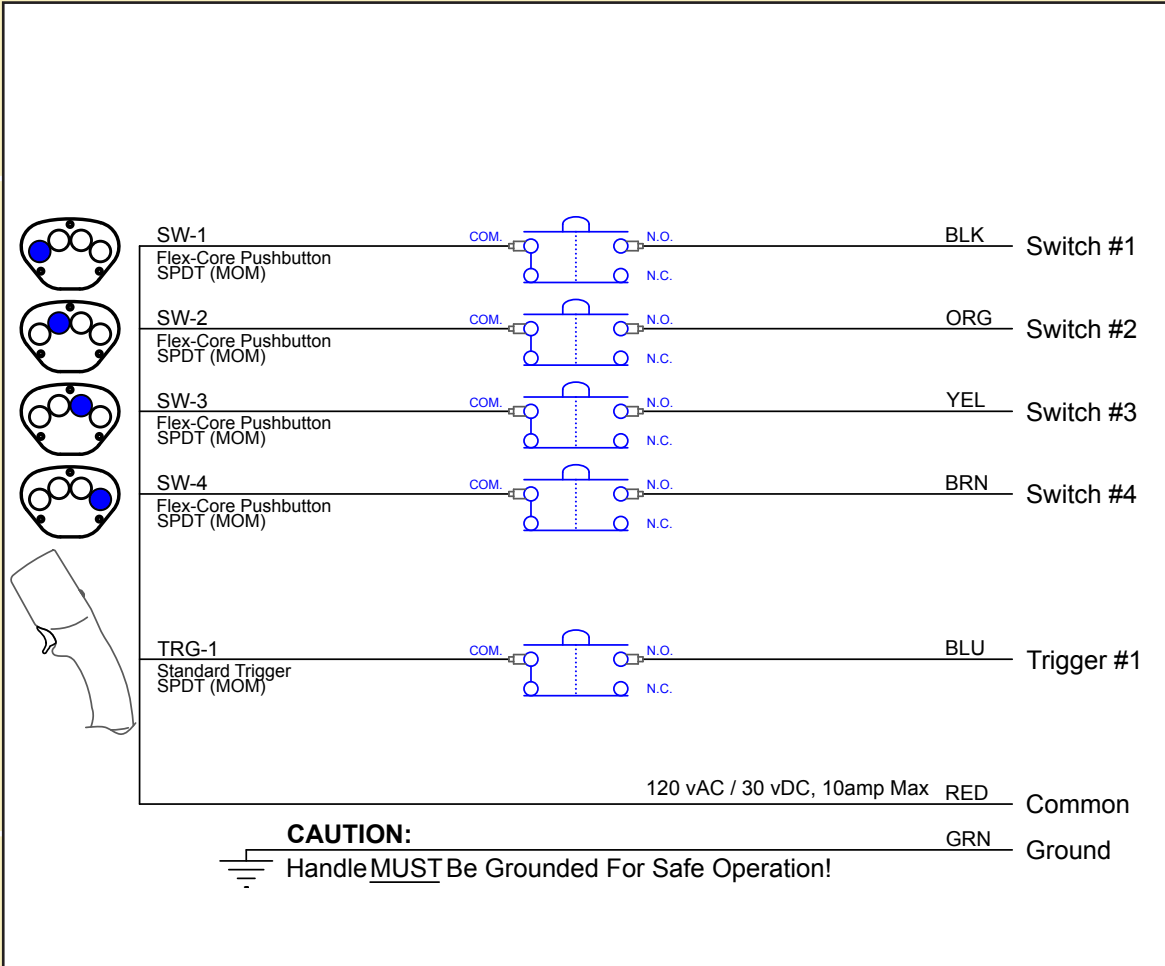
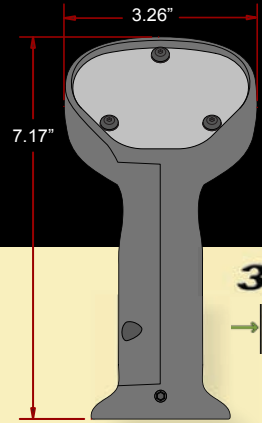
8901-D FlexCore

4 Switch (Horz) w/Standard Trig
Part Number CTI-2022664

Control Features

- Mounting Thread: 1/2-14NPT
- Standard Switching: 120VAC / 30VDC @ 10amp.
- Switch Life Cycle: 10,000,000
- Electrical Cable: 6ft Standard, 20AWG, MIL Spec.
- Joystick Compatibility: Mounts to all Joysticks w/Adaptors
- Housing Material: Die Cast Aluminum, Powder Coated
- Faceplate Decal: Back Printed LEXAN.

CYBER-TECH, Inc.



Part Number CTI-2022664
4 Switch (Horz)
w/Standard Trigger

Cyber-Tech, Inc.

Toll Free: 1.800.621.8754

1.503.620.2285 Fax: 1.503.620.8580

www.cyber-tech.net sales@cyber-tech.net

Standard Replacment Components

- Standard Switch: 32-S-95-10
- Flex-Core Actuator: 76-070024-01
- Switch Leaf Spring 14-LS-95
- Standard Trigger 76-100012-10

Optional Components

See 8901-D Product Page and Brochure at www.cyber-tech.net



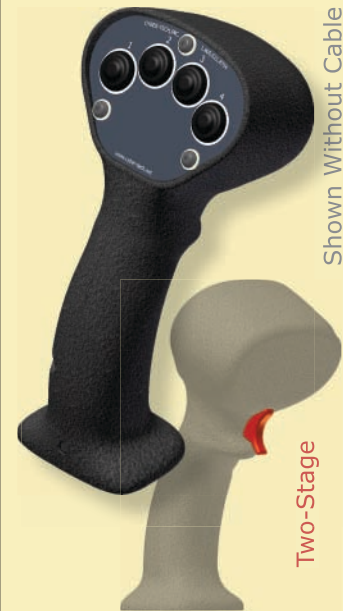
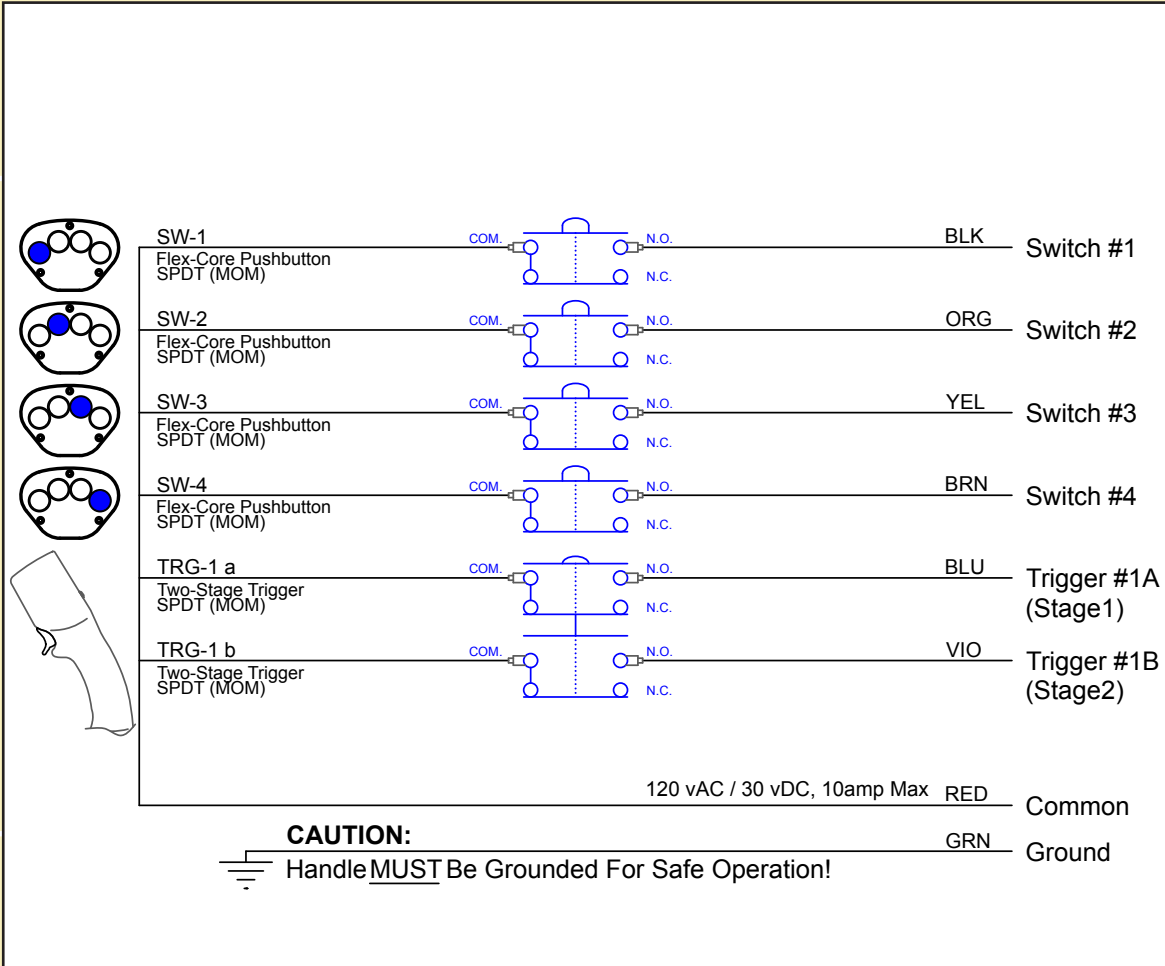
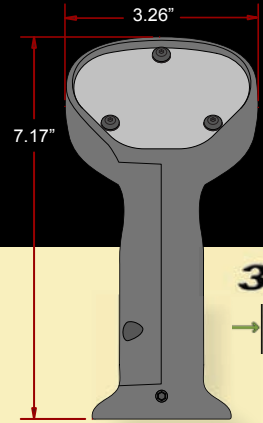
8901-D FlexCore

4 Switch (Horz) w/Two-Stage Trig
Part Number CTI-2022665

Control Features

- Mounting Thread: 1/2-14NPT
- Standard Switching: 120VAC / 30VDC @ 10amp.
- Switch Life Cycle: 10,000,000
- Electrical Cable: 6ft Standard, 20AWG, MIL Spec.
- Joystick Compatibility: Mounts to all Joysticks w/Adaptors
- Housing Material: Die Cast Aluminum, Powder Coated
- Faceplate Decal: Back Printed LEXAN.

CYBER-TECH, Inc.



Part Number CTI-2022665

**4 Switch (Horz)
 w/Two-Stage Trigger**

Cyber-Tech, Inc.

Toll Free: 1.800.621.8754

1.503.620.2285 Fax: 1.503.620.8580

www.cyber-tech.net sales@cyber-tech.net

Standard Replacment Components

- Standard Switch: 32-S-95-10
- Flex-Core Actuator: 76-070024-01
- Switch Leaf Spring 14-LS-95
- Two-Stage Trigger 76-100013-10

Optional Components

See 8901-D Product Page and Brochure at www.cyber-tech.net



8901-D FlexCore

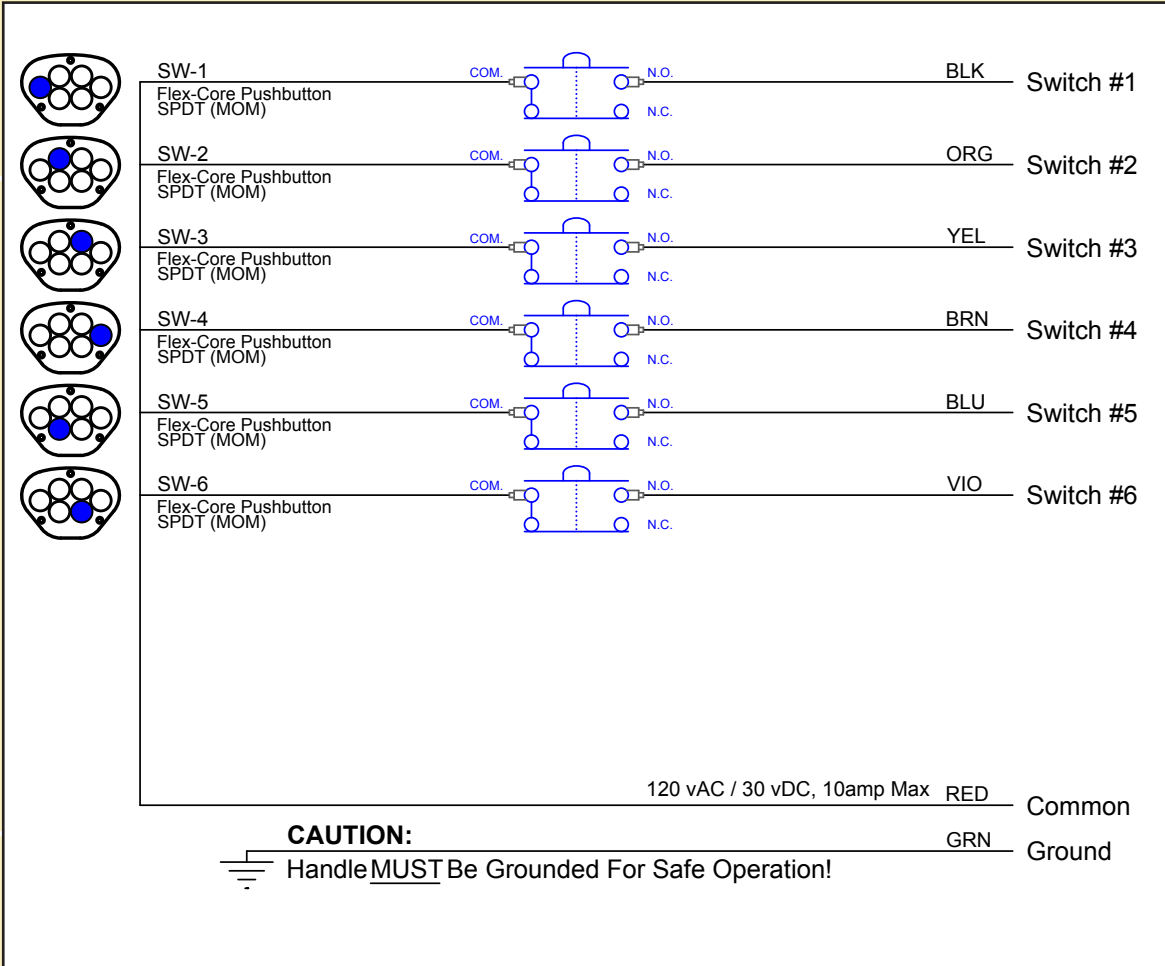
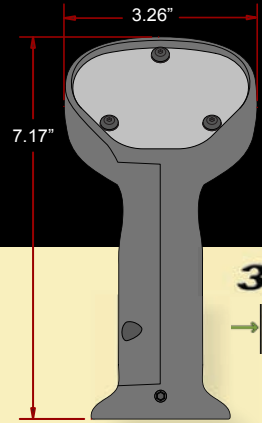
6 Switch

Part Number CTI-2022666

Control Features

- Mounting Thread: 1/2-14NPT
- Standard Switching: 120VAC / 30VDC @ 10amp.
- Switch Life Cycle: 10,000,000
- Electrical Cable: 6ft Standard, 20AWG, MIL Spec.
- Joystick Compatibility: Mounts to all Joysticks w/Adaptors
- Housing Material: Die Cast Aluminum, Powder Coated
- Faceplate Decal: Back Printed LEXAN.

CYBER-TECH, Inc.



Shown Without Cable

Part Number CTI-2022666

6 Switch

Standard Replacment Components

- Standard Switch: 32-S-95-10
- Flex-Core Actuator: 76-070024-01

Cyber-Tech, Inc.

Toll Free: 1.800.621.8754
 1.503.620.2285 Fax: 1.503.620.8580
 www.cyber-tech.net sales@cyber-tech.net

Optional Components

See 8901-D Product Page and Brochure at www.cyber-tech.net



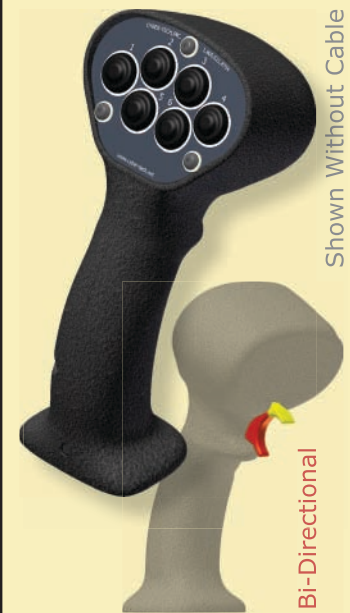
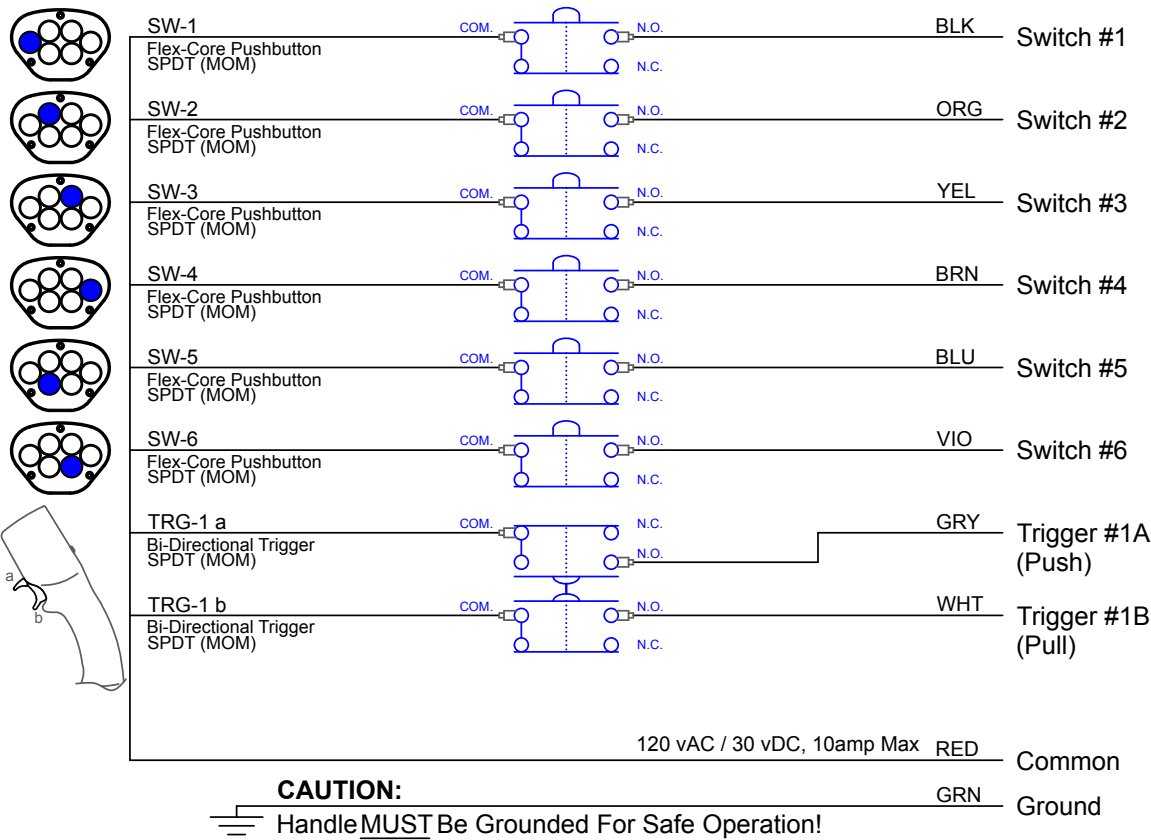
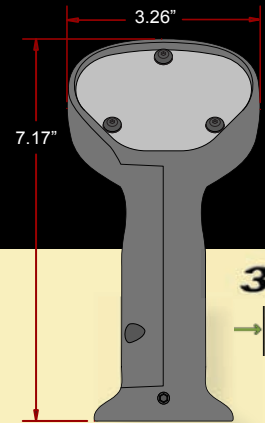
8901-D FlexCore

6 Switch w/Bi-Direct Trigger
Part Number CTI-2022667

Control Features

- Mounting Thread: 1/2-14NPT
- Standard Switching: 120VAC / 30VDC @ 10amp.
- Switch Life Cycle: 10,000,000
- Electrical Cable: 6ft Standard, 20AWG, MIL Spec.
- Joystick Compatibility: Mounts to all Joysticks w/Adaptors
- Housing Material: Die Cast Aluminum, Powder Coated
- Faceplate Decal: Back Printed LEXAN.

CYBER-TECH, Inc.



Part Number CTI-2022667

6 Switch w/Bi-Directional Trigger

Cyber-Tech, Inc.

Toll Free: 1.800.621.8754

1.503.620.2285 Fax: 1.503.620.8580

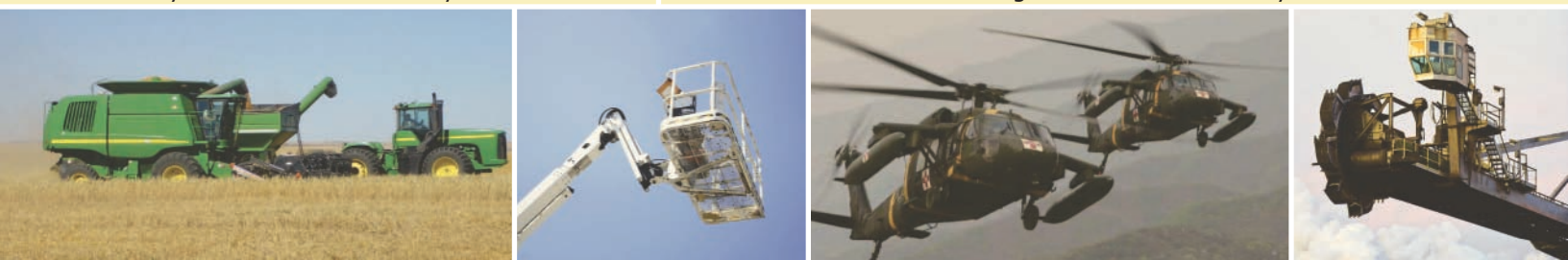
www.cyber-tech.net sales@cyber-tech.net

Standard Replacment Components

- Standard Switch: 32-S-95-10
- Flex-Core Actuator: 76-070024-01
- Switch Leaf Spring 14-LS-95
- Bi-Directional Trigger 76-100014-10

Optional Components

See 8901-D Product Page and Brochure at www.cyber-tech.net



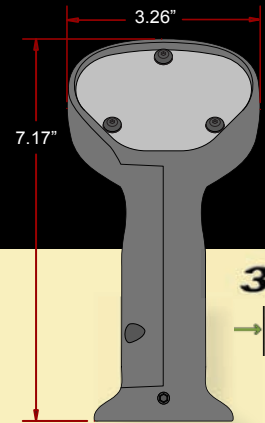
8901-D FlexCore

6 Switch w/Deadman Lever
Part Number CTI-2022668

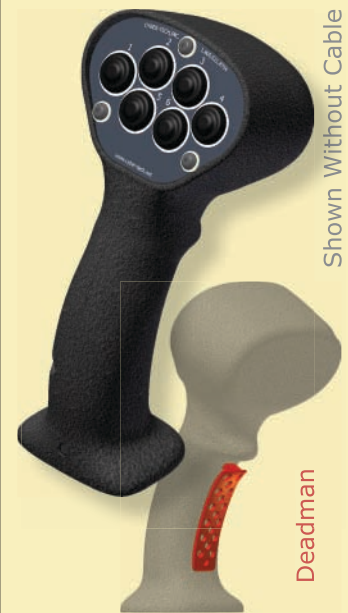
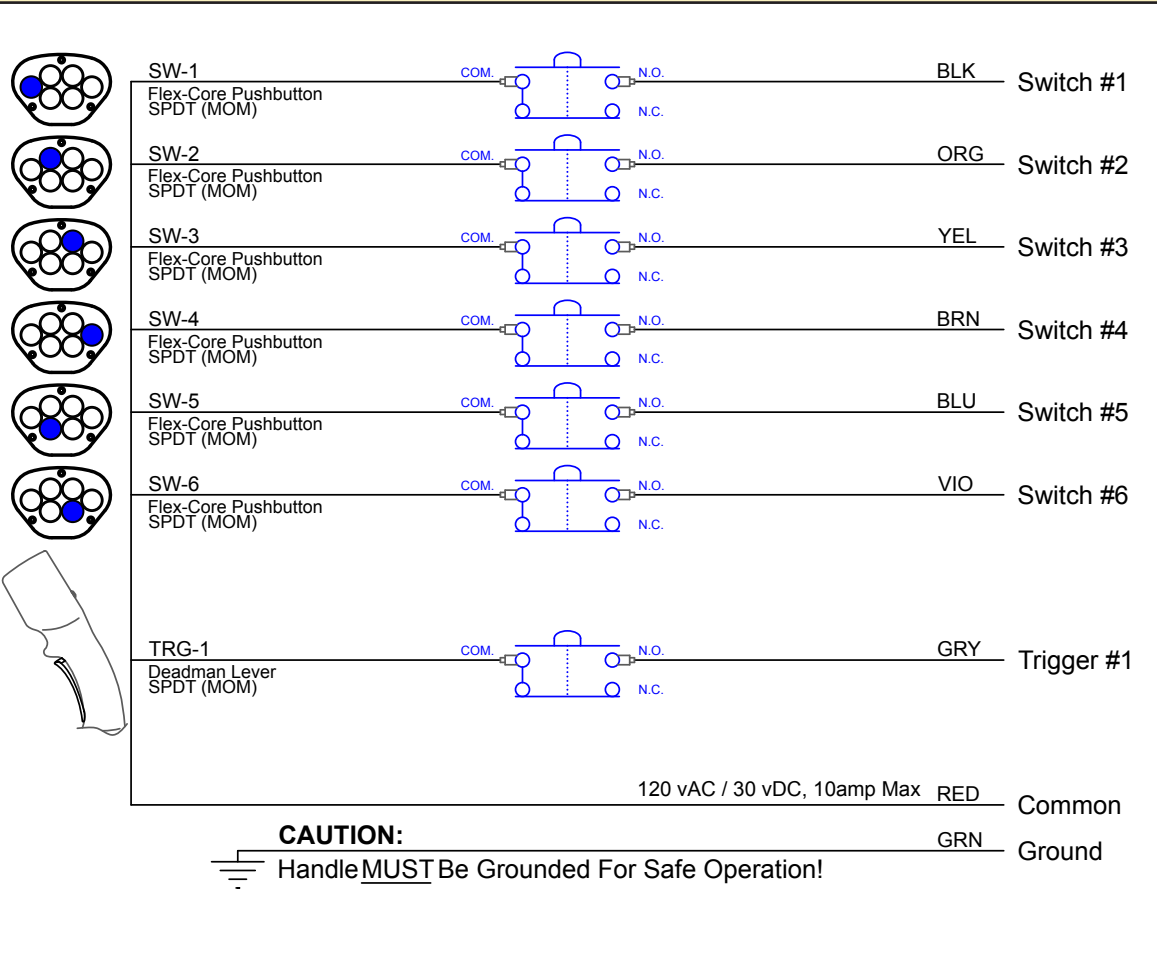
Control Features

- Mounting Thread: 1/2-14NPT
- Standard Switching: 120VAC / 30VDC @ 10amp.
- Switch Life Cycle: 10,000,000
- Electrical Cable: 6ft Standard, 20AWG, MIL Spec.
- Joystick Compatibility: Mounts to all Joysticks w/Adaptors
- Housing Material: Die Cast Aluminum, Powder Coated
- Faceplate Decal: Back Printed LEXAN.

CYBER-TECH, Inc.



3D



Part Number CTI-2022668

**6 Switch
w/Deadman Lever**

Cyber-Tech, Inc.

Toll Free: 1.800.621.8754

1.503.620.2285 Fax: 1.503.620.8580

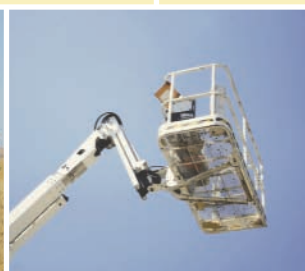
www.cyber-tech.net sales@cyber-tech.net

Standard Replacment Components

- Standard Switch: 32-S-95-10
- Flex-Core Actuator: 76-070024-01
- Switch Leaf Spring 14-LS-95
- Deadman Lever 76-070027-04

Optional Components

See 8901-D Product Page and Brochure at www.cyber-tech.net



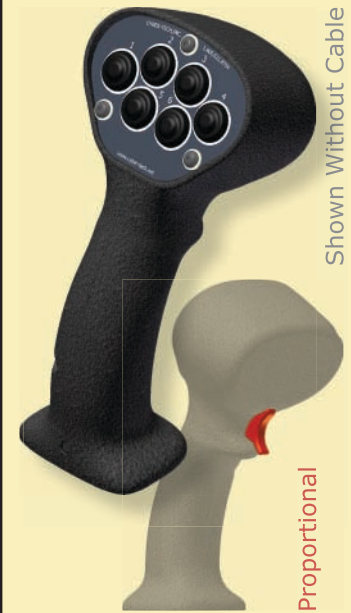
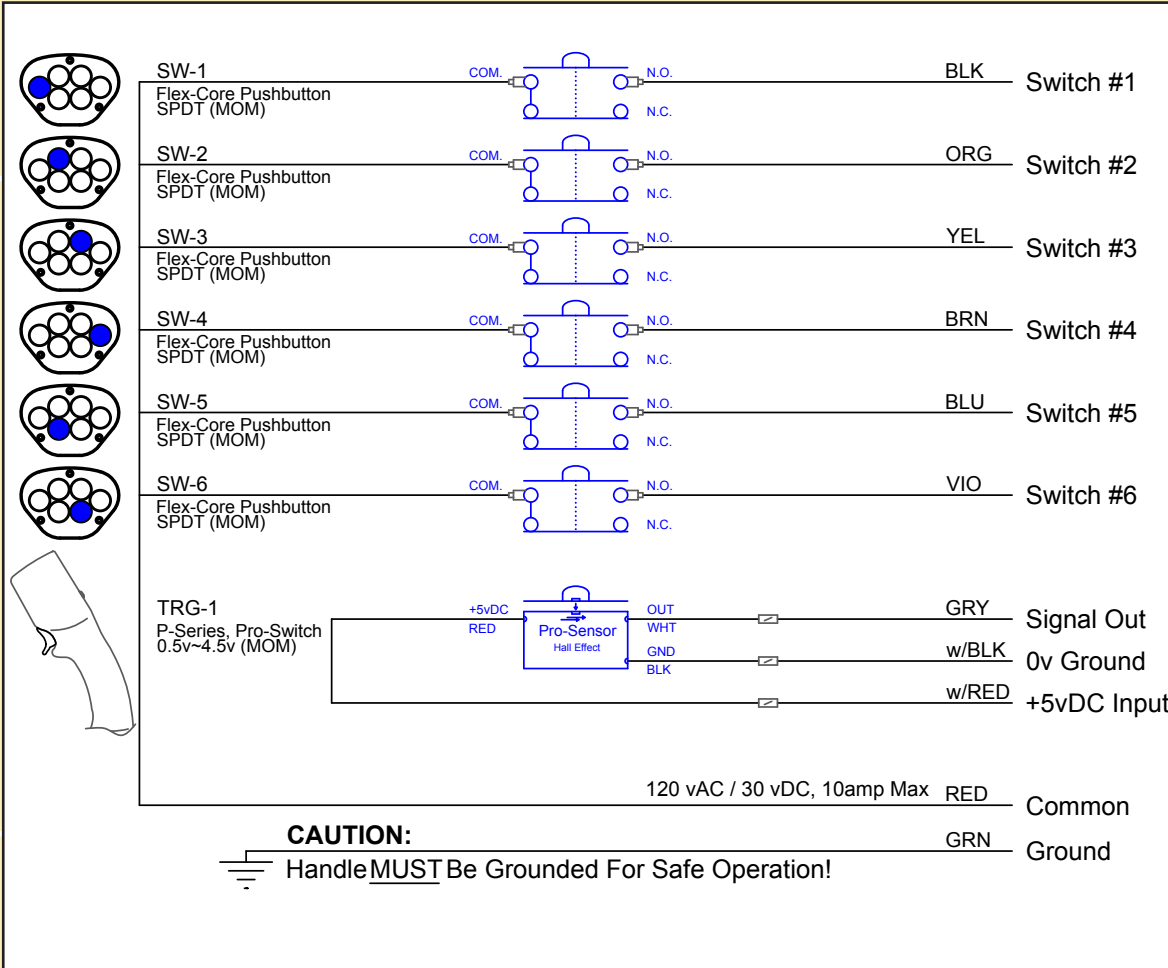
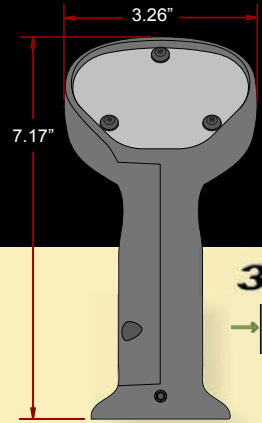
8901-D FlexCore

6 Switch w/Proportional Trigger
Part Number CTI-2022669

Control Features

- Mounting Thread: 1/2-14NPT
- Standard Switching: 120VAC / 30VDC @ 10amp.
- Switch Life Cycle: 10,000,000
- Electrical Cable: 6ft Standard, 20AWG, MIL Spec.
- Joystick Compatibility: Mounts to all Joysticks w/Adaptors
- Housing Material: Die Cast Aluminum, Powder Coated
- Faceplate Decal: Back Printed LEXAN.

CYBER-TECH, Inc.



Part Number CTI-2022669

**6 Switch
w/Proportional Trigger**

Cyber-Tech, Inc.

Toll Free: 1.800.621.8754

1.503.620.2285 Fax: 1.503.620.8580

www.cyber-tech.net sales@cyber-tech.net

Standard Replacment Components

- Standard Switch: 32-S-95-10
- Flex-Core Actuator: 76-070024-01
- Trigger Spring 14-TS-070045-01
- Proportional Trigger 76-100015-01
- Proportional Sensor 32-070029-01

Optional Components

See 8901-D Product Page and Brochure at www.cyber-tech.net



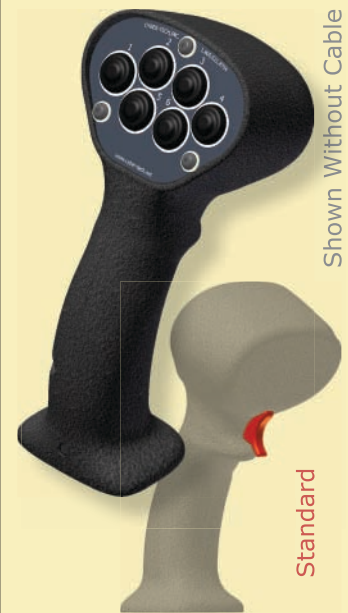
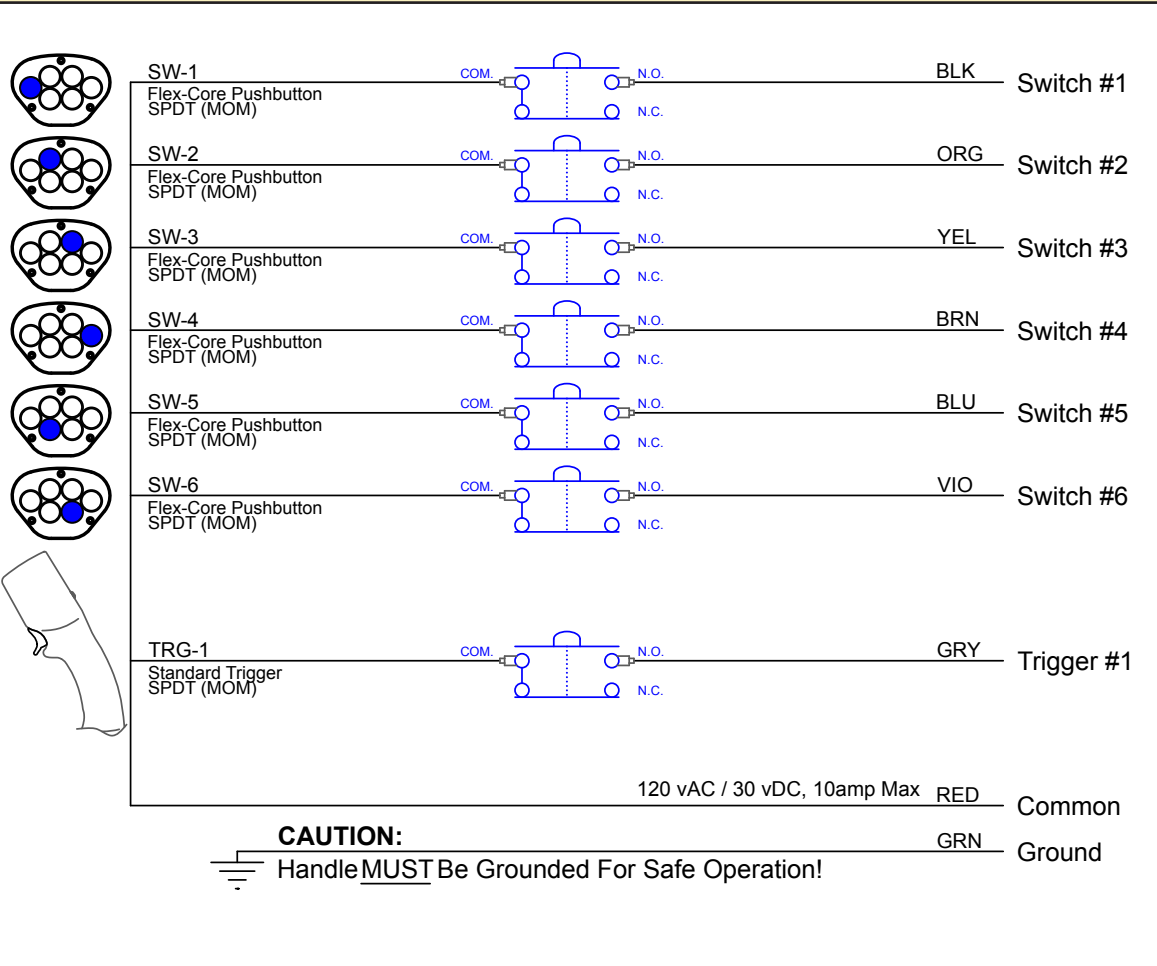
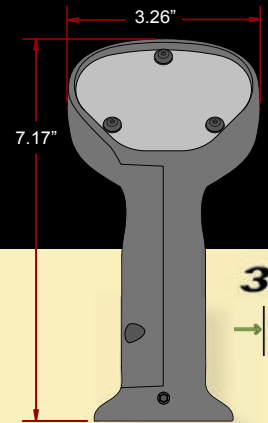
8901-D FlexCore

6 Switch w/Standard Trigger
Part Number CTI-2022670

Control Features

- Mounting Thread: 1/2-14NPT
- Standard Switching: 120VAC / 30VDC @ 10amp.
- Switch Life Cycle: 10,000,000
- Electrical Cable: 6ft Standard, 20AWG, MIL Spec.
- Joystick Compatibility: Mounts to all Joysticks w/Adaptors
- Housing Material: Die Cast Aluminum, Powder Coated
- Faceplate Decal: Back Printed LEXAN.

CYBER-TECH, Inc.



Part Number CTI-2022670

**6 Switch
 w/Standard Trigger**

Cyber-Tech, Inc.

Toll Free: 1.800.621.8754

1.503.620.2285 Fax: 1.503.620.8580

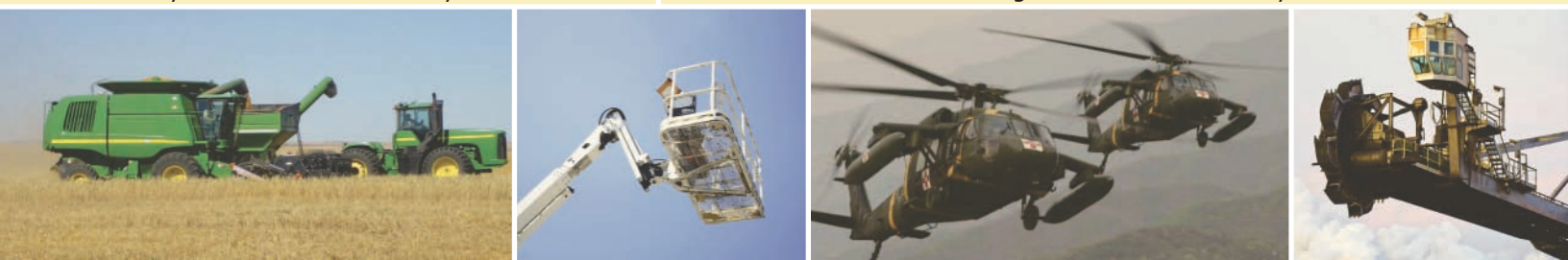
www.cyber-tech.net sales@cyber-tech.net

Standard Replacment Components

- Standard Switch: 32-S-95-10
- Flex-Core Actuator: 76-070024-01
- Switch Leaf Spring 14-LS-95
- Standard Trigger 76-100012-10

Optional Components

See 8901-D Product Page and Brochure at www.cyber-tech.net



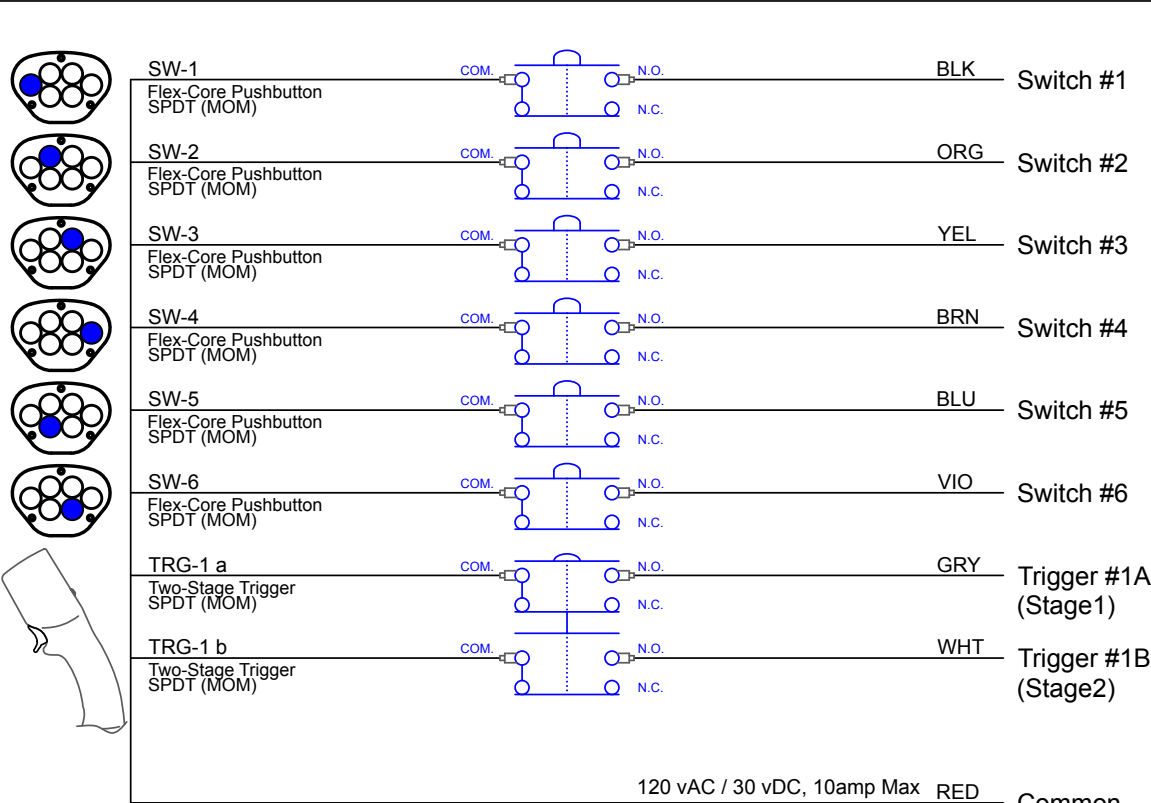
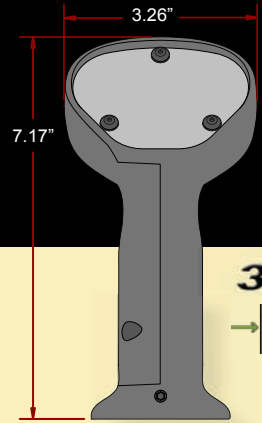
8901-D FlexCore

6 Switch w/Two-Stage Trigger Part Number CTI-2022671

Control Features

- Mounting Thread: 1/2-14NPT
- Standard Switching: 120VAC / 30VDC @ 10amp.
- Switch Life Cycle: 10,000,000
- Electrical Cable: 6ft Standard, 20AWG, MIL Spec.
- Joystick Compatibility: Mounts to all Joysticks w/Adaptors
- Housing Material: Die Cast Aluminum, Powder Coated
- Faceplate Decal: Back Printed LEXAN.

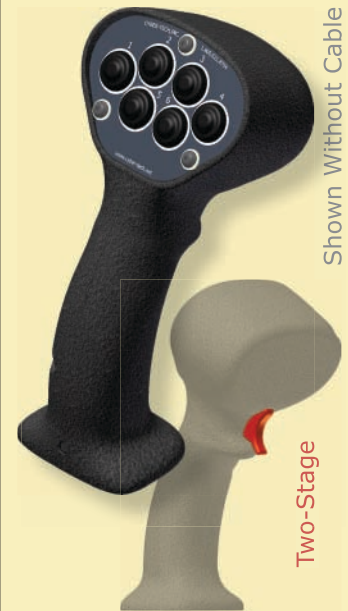
CYBER-TECH, Inc.



120 vAC / 30 vDC, 10amp Max

CAUTION:

Handle MUST Be Grounded For Safe Operation!



Part Number CTI-2022671

6 Switch w/Two-Stage Trigger

Cyber-Tech, Inc.

Toll Free: 1.800.621.8754

1.503.620.2285 Fax: 1.503.620.8580

www.cyber-tech.net sales@cyber-tech.net

Standard Replacment Components

- Standard Switch: 32-S-95-10
- Flex-Core Actuator: 76-070024-01
- Switch Leaf Spring 14-LS-95
- Two-Stage Trigger 76-100013-10

Optional Components

See 8901-D Product Page and Brochure at www.cyber-tech.net



8901-D FlexCore

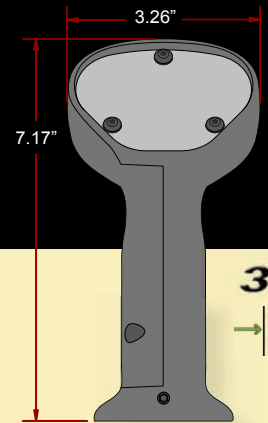
1 Rocker

Part Number CTI-2022672

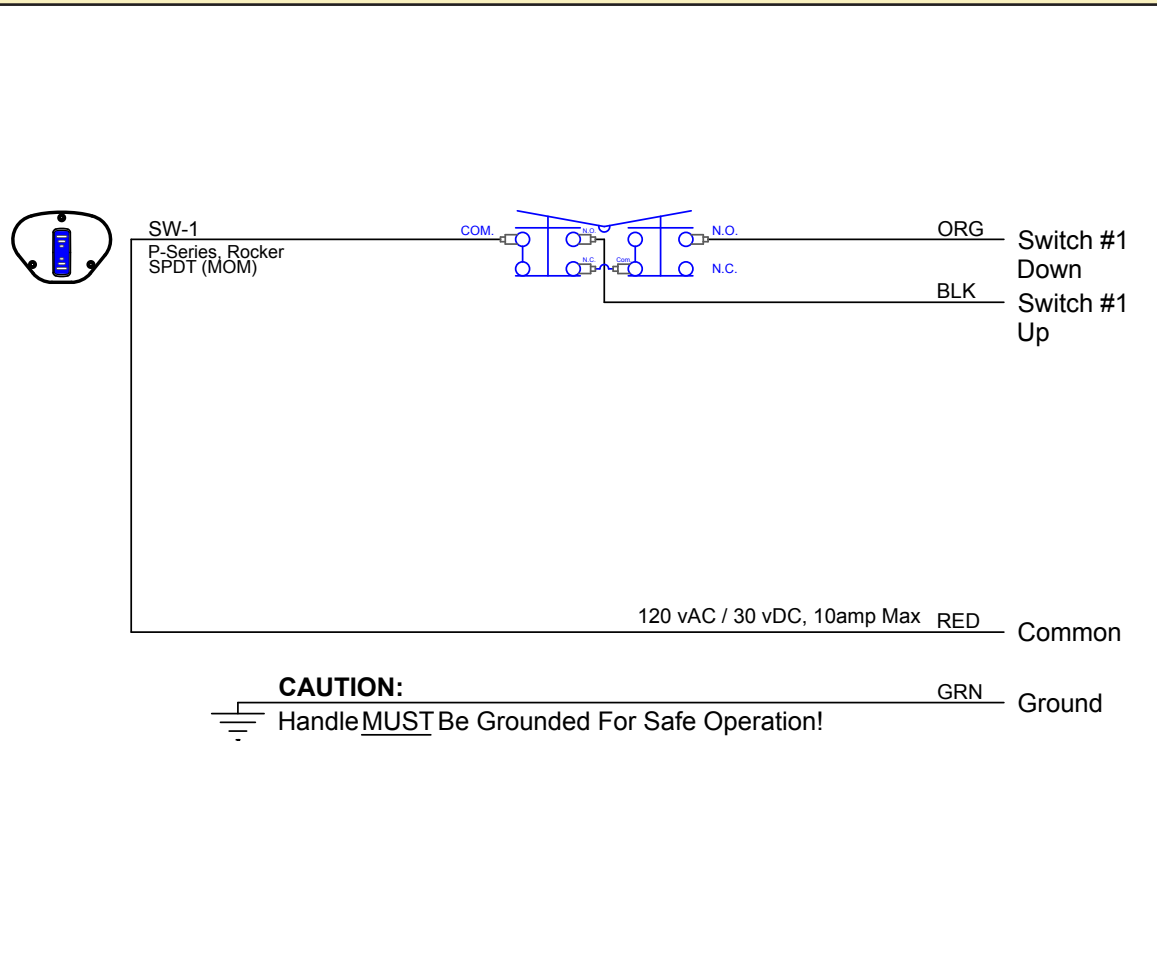
Control Features

- Mounting Thread: 1/2-14NPT
- Standard Switching: 120VAC / 30VDC @ 10amp.
- Switch Life Cycle: 10,000,000
- Electrical Cable: 6ft Standard, 20AWG, MIL Spec.
- Joystick Compatibility: Mounts to all Joysticks w/Adaptors
- Housing Material: Die Cast Aluminum, Powder Coated
- Faceplate Decal: Back Printed LEXAN.

CYBER-TECH, Inc.



3D



Shown Without Cable

Part Number CTI-2022672

1 Rocker

Standard Replacment Components

- Standard Switch: 32-S-95-10
- Rocker Button Assembly 76-070022-01

Cyber-Tech, Inc.

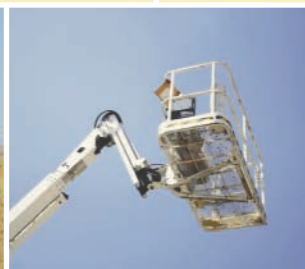
Toll Free: 1.800.621.8754

1.503.620.2285 Fax: 1.503.620.8580

www.cyber-tech.net sales@cyber-tech.net

Optional Components

See 8901-D Product Page and Brochure at www.cyber-tech.net



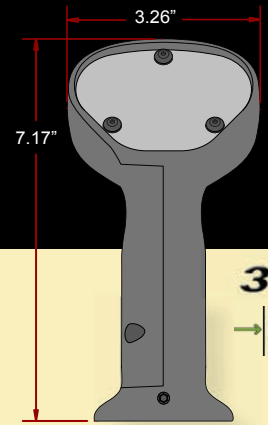
8901-D FlexCore

1 Rocker w/Bi-Direct Trigger Part Number CTI-2022673

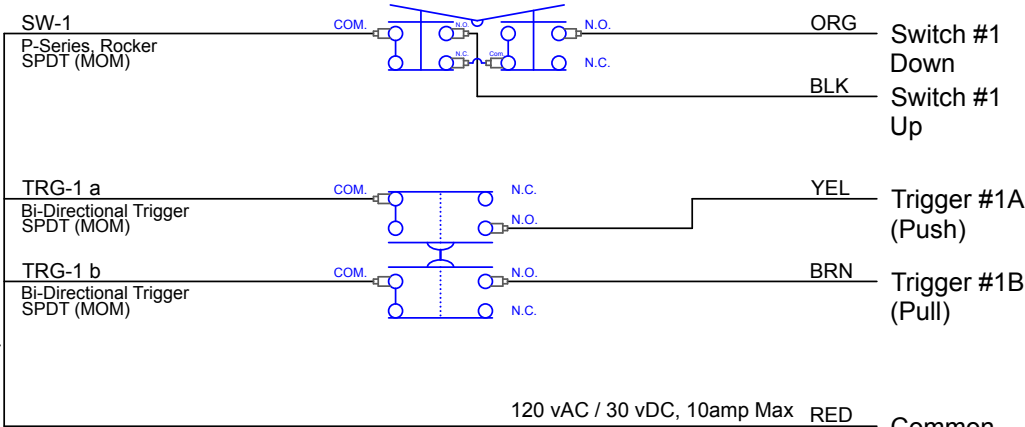
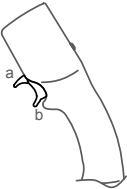
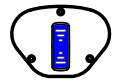
Control Features

- Mounting Thread: 1/2-14NPT
- Standard Switching: 120VAC / 30VDC @ 10amp.
- Switch Life Cycle: 10,000,000
- Electrical Cable: 6ft Standard, 20AWG, MIL Spec.
- Joystick Compatibility: Mounts to all Joysticks w/Adaptors
- Housing Material: Die Cast Aluminum, Powder Coated
- Faceplate Decal: Back Printed LEXAN.

CYBER-TECH, Inc.



3D



CAUTION:

Handle MUST Be Grounded For Safe Operation!



Part Number CTI-2022673

1 Rocker w/Bi-Directional Trigger

Cyber-Tech, Inc.

Toll Free: 1.800.621.8754

1.503.620.2285 Fax: 1.503.620.8580

www.cyber-tech.net sales@cyber-tech.net

Standard Replacment Components

- Standard Switch: 32-S-95-10
- Rocker Button Assembly 76-070022-01
- Switch Leaf Spring 14-LS-95
- Bi-Directional Trigger 76-100014-10

Optional Components

See 8901-D Product Page and Brochure at www.cyber-tech.net



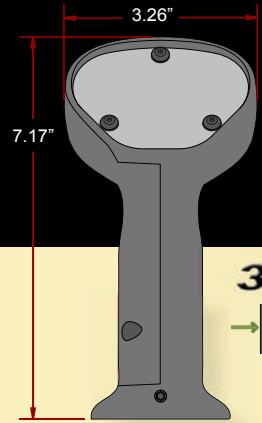
8901-D FlexCore

1 Rocker w/Deadman Lever Part Number CTI-2022674

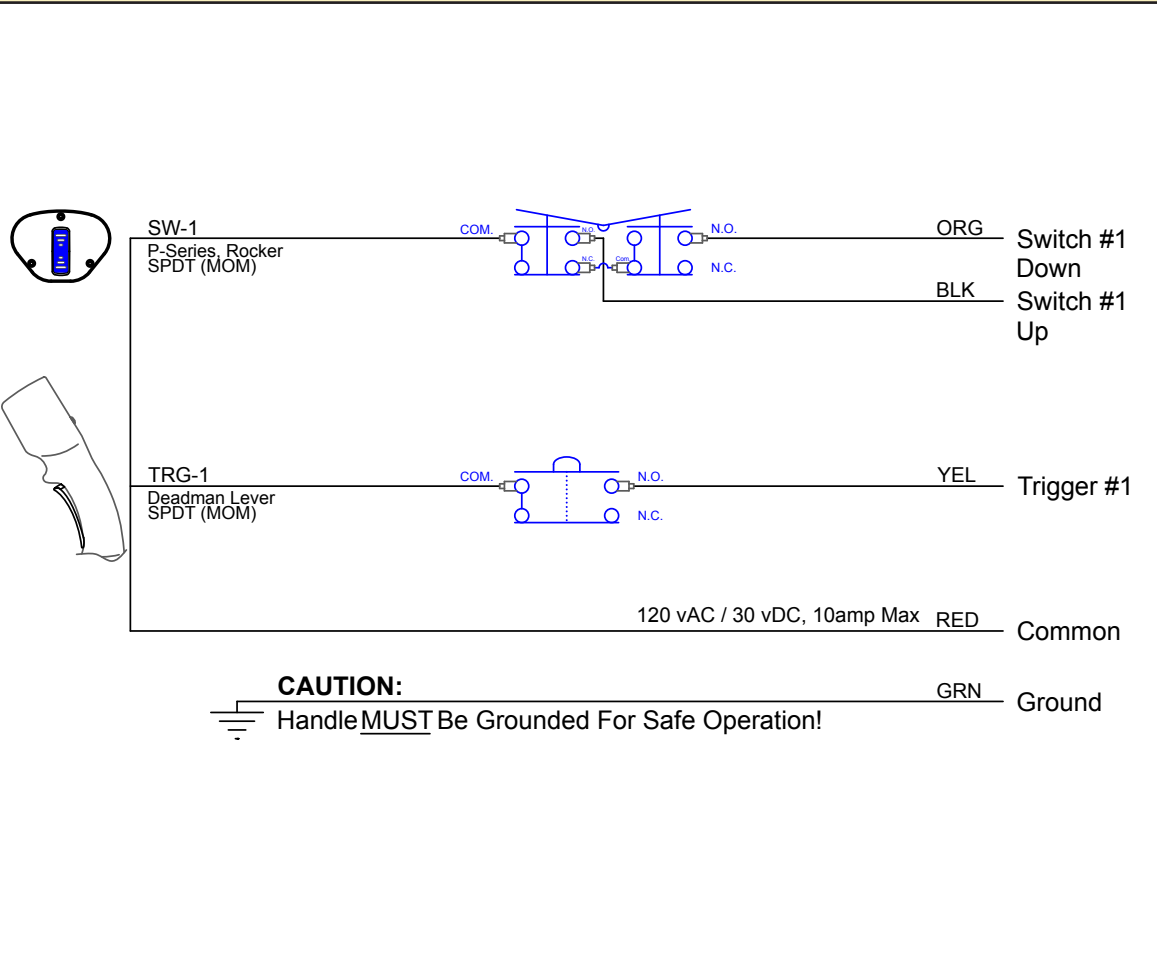
Control Features

- Mounting Thread: 1/2-14NPT
- Standard Switching: 120VAC / 30VDC @ 10amp.
- Switch Life Cycle: 10,000,000
- Electrical Cable: 6ft Standard, 20AWG, MIL Spec.
- Joystick Compatibility: Mounts to all Joysticks w/Adaptors
- Housing Material: Die Cast Aluminum, Powder Coated
- Faceplate Decal: Back Printed LEXAN.

CYBER-TECH, Inc.



3D



Part Number CTI-2022674

1 Rocker w/Deadman Lever

Cyber-Tech, Inc.

Toll Free: 1.800.621.8754

1.503.620.2285 Fax: 1.503.620.8580

www.cyber-tech.net sales@cyber-tech.net

Standard Replacment Components

- Standard Switch: 32-S-95-10
- Rocker Button Assembly 76-070022-01
- Switch Leaf Spring 14-LS-95
- Deadman Lever 76-070027-04

Optional Components

See 8901-D Product Page and Brochure at www.cyber-tech.net



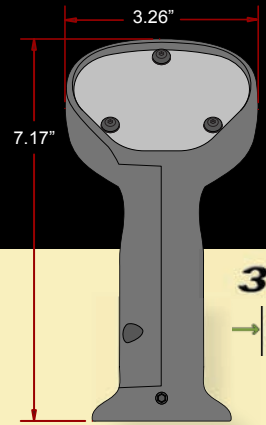
8901-D FlexCore

1 Rocker w/Proportional Trigger
Part Number CTI-2022675

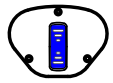
Control Features

- Mounting Thread: 1/2-14NPT
- Standard Switching: 120VAC / 30VDC @ 10amp.
- Switch Life Cycle: 10,000,000
- Electrical Cable: 6ft Standard, 20AWG, MIL Spec.
- Joystick Compatibility: Mounts to all Joysticks w/Adaptors
- Housing Material: Die Cast Aluminum, Powder Coated
- Faceplate Decal: Back Printed LEXAN.

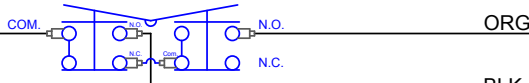
CYBER-TECH, Inc.



3D



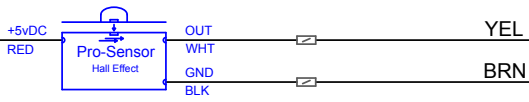
SW-1
 P-Series, Rocker
 SPDT (MOM)



ORG Switch #1
 Down
 BLK Switch #1
 Up



TRG-1
 P-Series, Pro-Switch
 0.5v~4.5v (MOM)



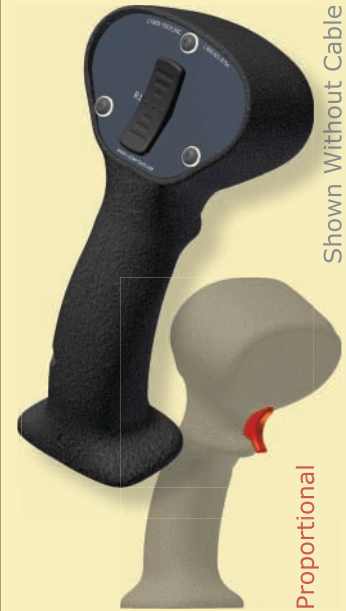
YEL Signal Out
 BRN 0v Ground
 BLU +5vDC Input

120 vAC / 30 vDC, 10amp Max RED Common

CAUTION:

Handle MUST Be Grounded For Safe Operation!

GRN Ground



Part Number CTI-2022675

**1 Rocker
 w/Proportional Trigger**

Cyber-Tech, Inc.

Toll Free: 1.800.621.8754

1.503.620.2285 Fax: 1.503.620.8580

www.cyber-tech.net sales@cyber-tech.net

Standard Replacment Components

- Standard Switch: 32-S-95-10
- Rocker Button Assembly 76-070022-01
- Switch Leaf Spring 14-TS-070045-01
- Proportional Trigger 76-100015-01
- Proportional Sensor 32-070029-01

Optional Components

See 8901-D Product Page and Brochure at www.cyber-tech.net



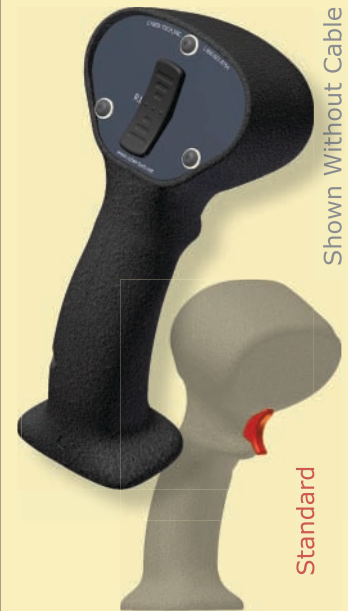
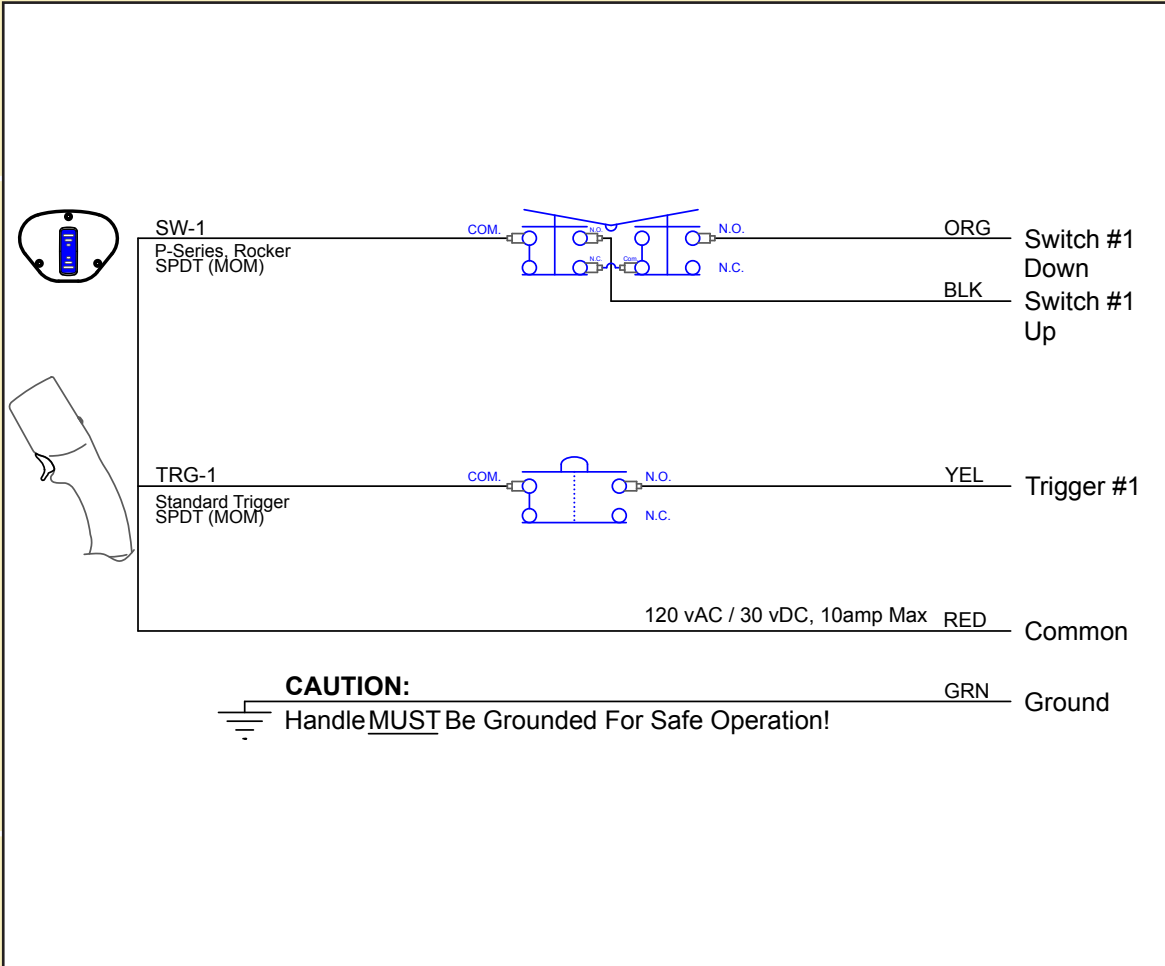
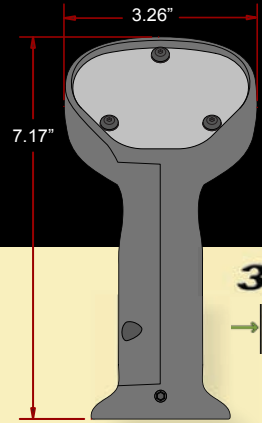
8901-D FlexCore

1 Rocker w/Standard Trigger Part Number CTI-2022676

Control Features

- Mounting Thread: 1/2-14NPT
- Standard Switching: 120VAC / 30VDC @ 10amp.
- Switch Life Cycle: 10,000,000
- Electrical Cable: 6ft Standard, 20AWG, MIL Spec.
- Joystick Compatibility: Mounts to all Joysticks w/Adaptors
- Housing Material: Die Cast Aluminum, Powder Coated
- Faceplate Decal: Back Printed LEXAN.

CYBER-TECH, Inc.



Part Number CTI-2022676

1 Rocker w/Standard Trigger

Cyber-Tech, Inc.

Toll Free: 1.800.621.8754

1.503.620.2285 Fax: 1.503.620.8580

www.cyber-tech.net sales@cyber-tech.net

Standard Replacment Components

- Standard Switch: 32-S-95-10
- Rocker Button Assembly 76-070022-01
- Switch Leaf Spring 14-LS-95
- Standard Trigger 76-100012-10

Optional Components

See 8901-D Product Page and Brochure at www.cyber-tech.net



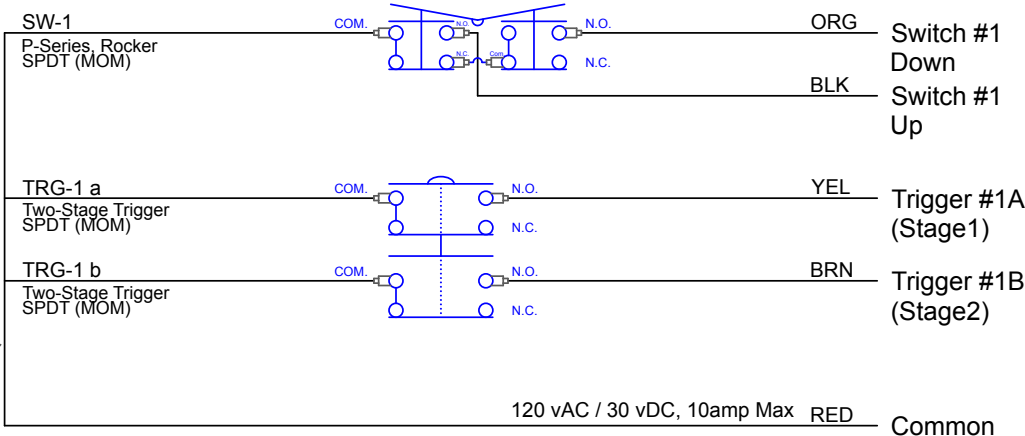
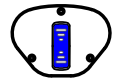
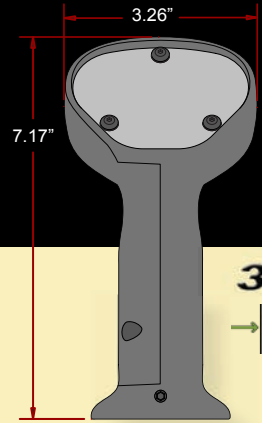
8901-D FlexCore

1 Rocker w/Two-Stage Trigger Part Number CTI-2022677

Control Features

- Mounting Thread: 1/2-14NPT
- Standard Switching: 120VAC / 30VDC @ 10amp.
- Switch Life Cycle: 10,000,000
- Electrical Cable: 6ft Standard, 20AWG, MIL Spec.
- Joystick Compatibility: Mounts to all Joysticks w/Adaptors
- Housing Material: Die Cast Aluminum, Powder Coated
- Faceplate Decal: Back Printed LEXAN.

CYBER-TECH, Inc.



CAUTION: Handle MUST Be Grounded For Safe Operation!



Part Number CTI-2022677

1 Rocker w/Two-Stage Trigger

Cyber-Tech, Inc.

Toll Free: 1.800.621.8754

1.503.620.2285 Fax: 1.503.620.8580

www.cyber-tech.net sales@cyber-tech.net

Standard Replacment Components

- Standard Switch: 32-S-95-10
- Rocker Button Assembly 76-070022-01
- Switch Leaf Spring 14-LS-95
- Two-Stage Trigger 76-100013-10

Optional Components

See 8901-D Product Page and Brochure at www.cyber-tech.net



8901-D FlexCore

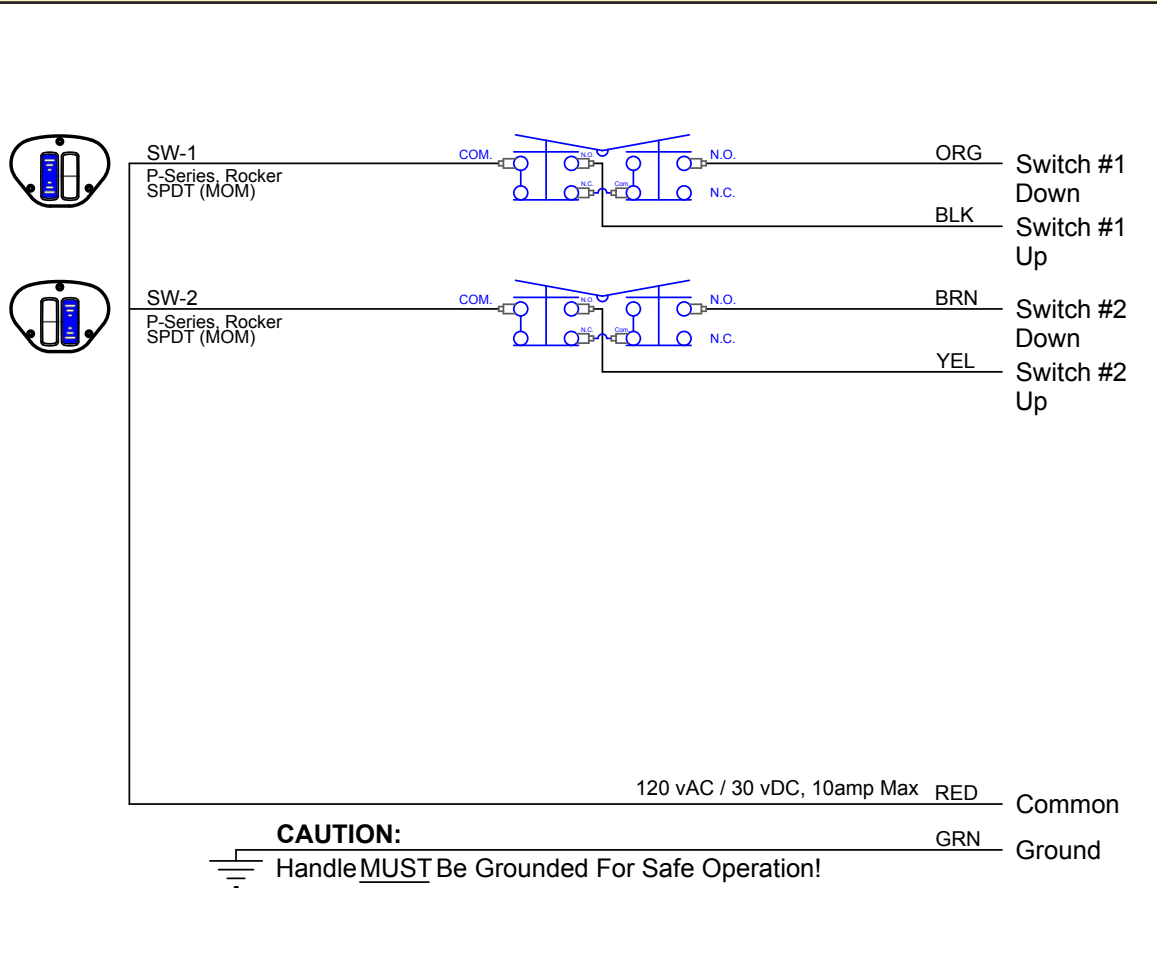
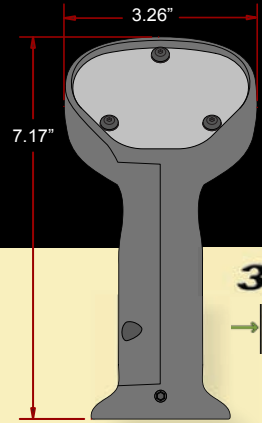
2 Rockers

Part Number CTI-2022678

Control Features

- Mounting Thread: 1/2-14NPT
- Standard Switching: 120VAC / 30VDC @ 10amp.
- Switch Life Cycle: 10,000,000
- Electrical Cable: 6ft Standard, 20AWG, MIL Spec.
- Joystick Compatibility: Mounts to all Joysticks w/Adaptors
- Housing Material: Die Cast Aluminum, Powder Coated
- Faceplate Decal: Back Printed LEXAN.

CYBER-TECH, Inc.



Part Number CTI-2022678
2 Rockers

Standard Replacment Components

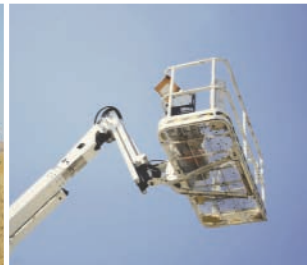
- Standard Switch: 32-S-95-10
- Rocker Button Assembly 76-070022-01

Cyber-Tech, Inc.

Toll Free: 1.800.621.8754
 1.503.620.2285 Fax: 1.503.620.8580
 www.cyber-tech.net sales@cyber-tech.net

Optional Components

See 8901-D Product Page and Brochure at www.cyber-tech.net



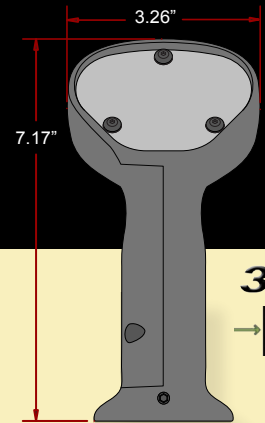
8901-D FlexCore

2 Rockers w/Bi-Direct Trigger
Part Number CTI-2022679

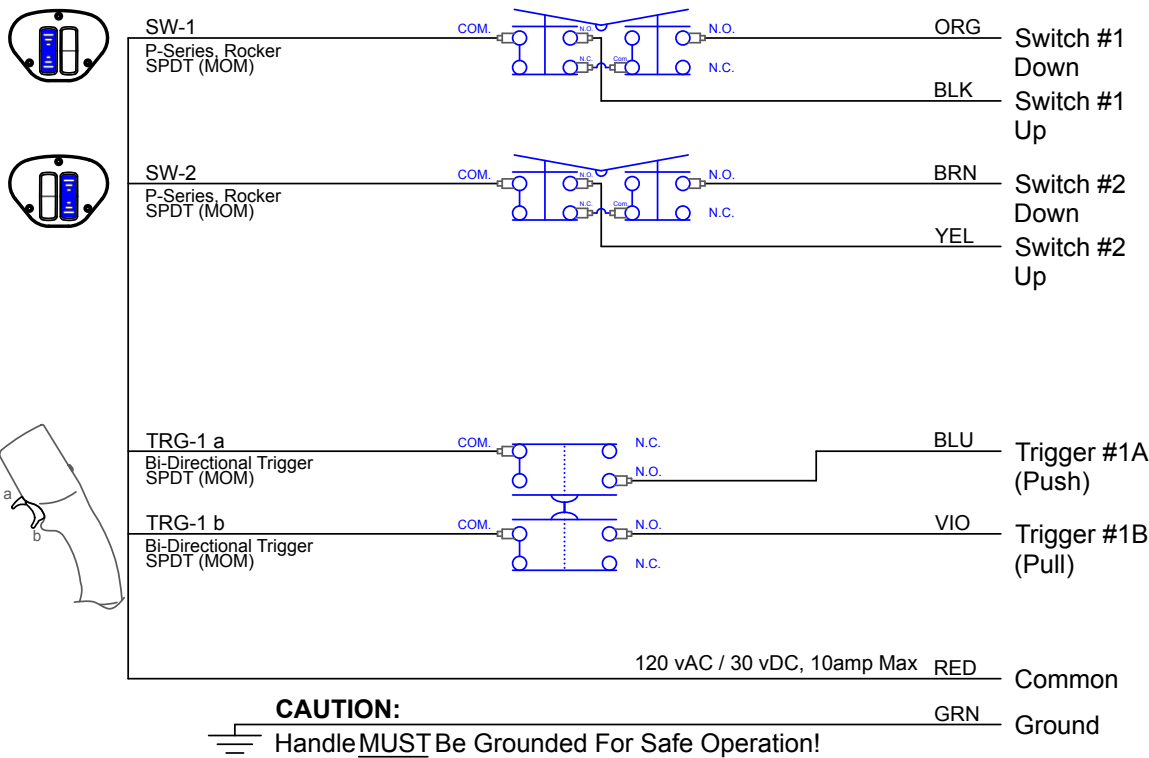
Control Features

- Mounting Thread: 1/2-14NPT
- Standard Switching: 120VAC / 30VDC @ 10amp.
- Switch Life Cycle: 10,000,000
- Electrical Cable: 6ft Standard, 20AWG, MIL Spec.
- Joystick Compatibility: Mounts to all Joysticks w/Adaptors
- Housing Material: Die Cast Aluminum, Powder Coated
- Faceplate Decal: Back Printed LEXAN.

CYBER-TECH, Inc.



3D



Part Number CTI-2022679

**2 Rockers
 w/Bi-Directional Trigger**

Cyber-Tech, Inc.

Toll Free: 1.800.621.8754

1.503.620.2285 Fax: 1.503.620.8580

www.cyber-tech.net sales@cyber-tech.net

Standard Replacment Components

- Standard Switch: 32-S-95-10
- Rocker Button Assembly 76-070022-01
- Switch Leaf Spring 14-LS-95
- Bi-Directional Trigger 76-100014-10

Optional Components

See 8901-D Product Page and Brochure at www.cyber-tech.net



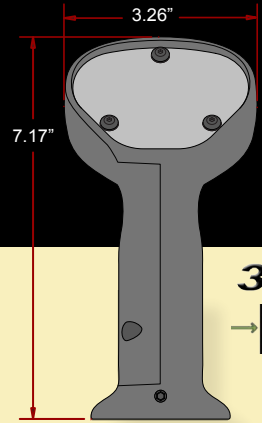
8901-D FlexCore

2 Rockers w/Deadman Lever Part Number CTI-2022680

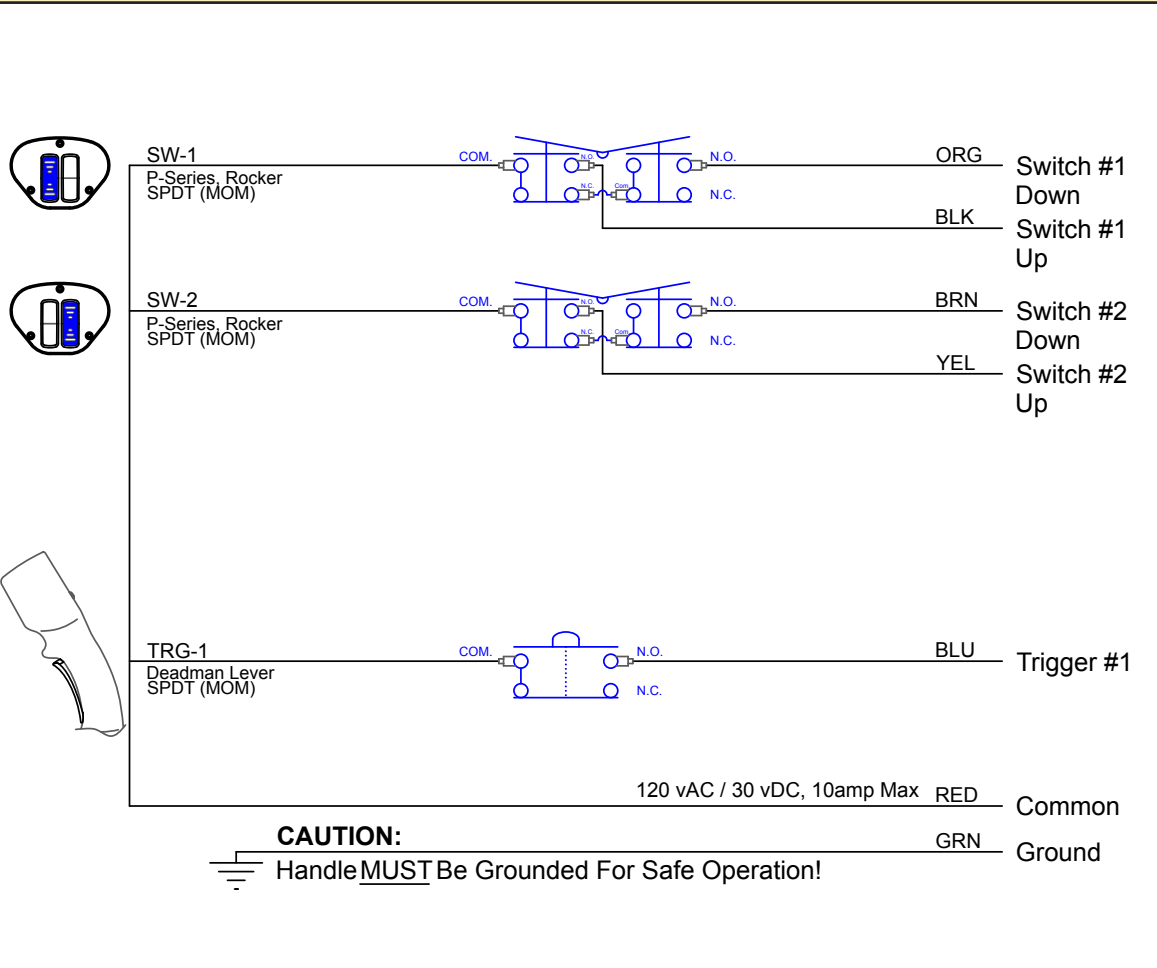
Control Features

- Mounting Thread: 1/2-14NPT
- Standard Switching: 120VAC / 30VDC @ 10amp.
- Switch Life Cycle: 10,000,000
- Electrical Cable: 6ft Standard, 20AWG, MIL Spec.
- Joystick Compatibility: Mounts to all Joysticks w/Adaptors
- Housing Material: Die Cast Aluminum, Powder Coated
- Faceplate Decal: Back Printed LEXAN.

CYBER-TECH, Inc.



3D
→



Part Number CTI-2022680

2 Rockers w/Deadman Lever

Cyber-Tech, Inc.

Toll Free: 1.800.621.8754

1.503.620.2285 Fax: 1.503.620.8580

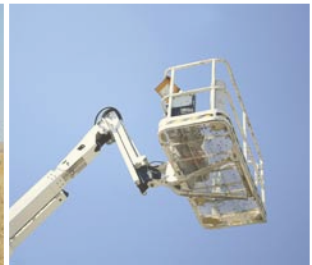
www.cyber-tech.net sales@cyber-tech.net

Standard Replacment Components

- Standard Switch: 32-S-95-10
- Rocker Button Assembly 76-070022-01
- Switch Leaf Spring 14-LS-95
- Deadman Lever 76-070027-04

Optional Components

See 8901-D Product Page and Brochure at www.cyber-tech.net



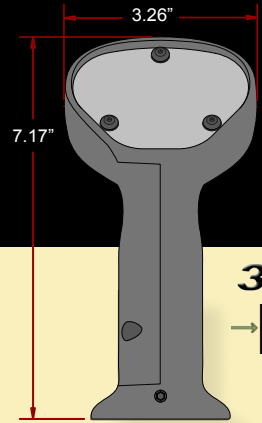
8901-D FlexCore

2 Rockers w/Proportional Trigger
Part Number CTI-2022681

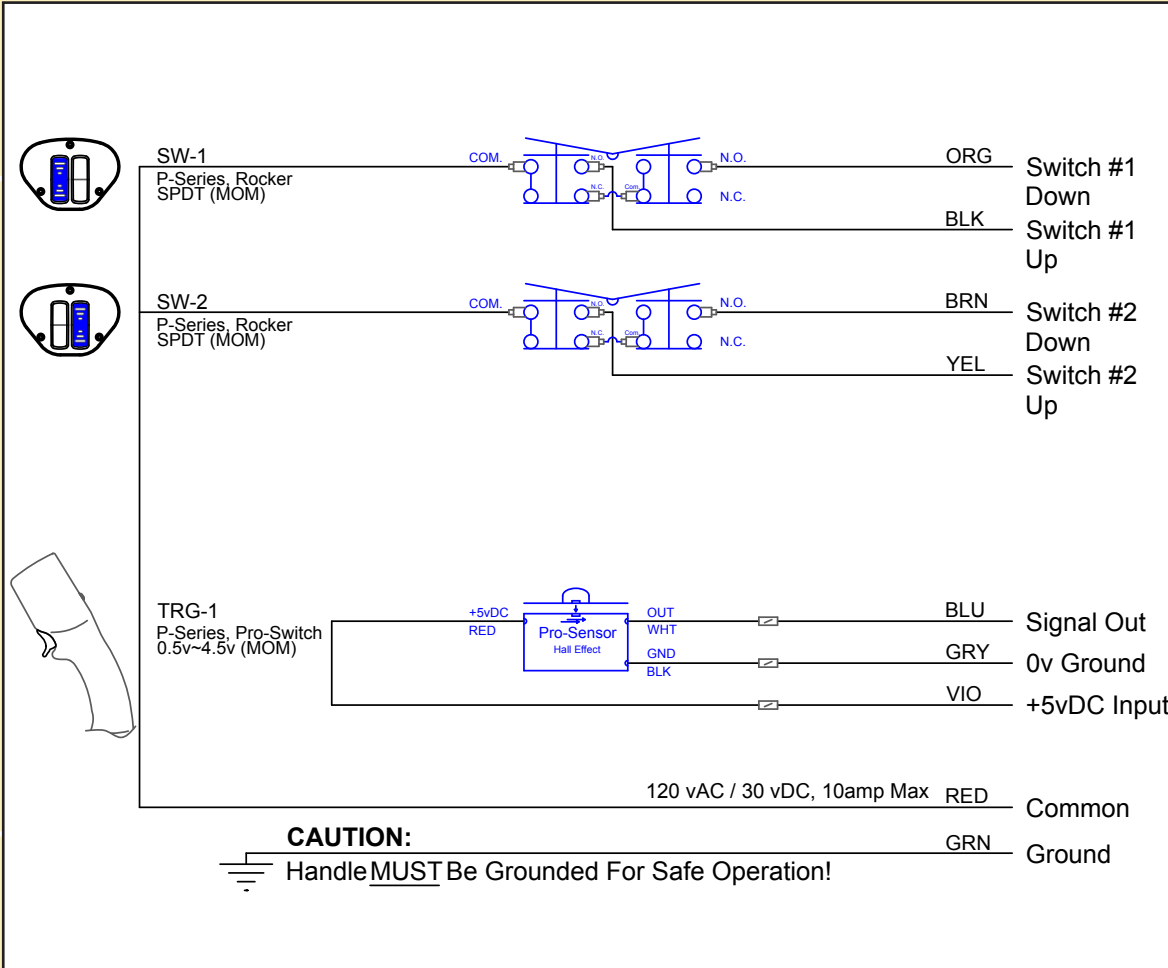
Control Features

- Mounting Thread: 1/2-14NPT
- Standard Switching: 120VAC / 30VDC @ 10amp.
- Switch Life Cycle: 10,000,000
- Electrical Cable: 6ft Standard, 20AWG, MIL Spec.
- Joystick Compatibility: Mounts to all Joysticks w/Adaptors
- Housing Material: Die Cast Aluminum, Powder Coated
- Faceplate Decal: Back Printed LEXAN.

CYBER-TECH, Inc.



3D



Part Number CTI-2022681

**2 Rockers
 w/Proportional Trigger**

Cyber-Tech, Inc.

Toll Free: 1.800.621.8754

1.503.620.2285 Fax: 1.503.620.8580

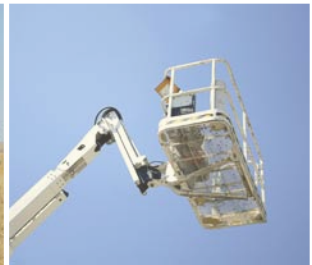
www.cyber-tech.net sales@cyber-tech.net

Standard Replacment Components

- Standard Switch: 32-S-95-10
- Rocker Button Assembly 76-070022-01
- Switch Leaf Spring 14-TS-070045-01
- Proportional Trigger 76-100015-01
- Proportional Sensor 32-070029-01

Optional Components

See 8901-D Product Page and Brochure at www.cyber-tech.net



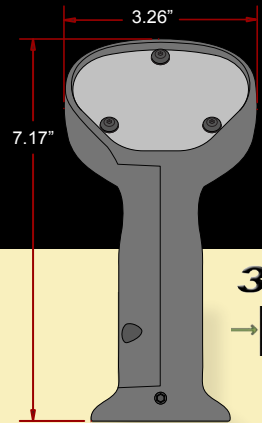
8901-D FlexCore

2 Rockers w/Standard Trigger
Part Number CTI-2022682

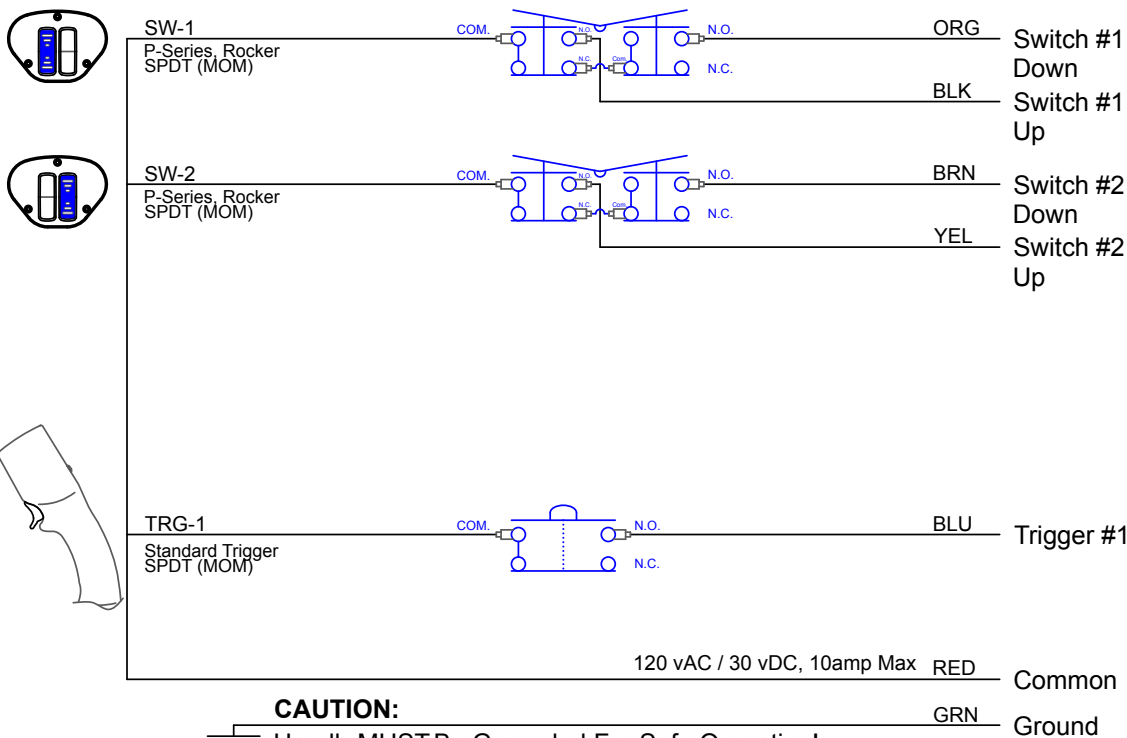
Control Features

- Mounting Thread: 1/2-14NPT
- Standard Switching: 120VAC / 30VDC @ 10amp.
- Switch Life Cycle: 10,000,000
- Electrical Cable: 6ft Standard, 20AWG, MIL Spec.
- Joystick Compatibility: Mounts to all Joysticks w/Adaptors
- Housing Material: Die Cast Aluminum, Powder Coated
- Faceplate Decal: Back Printed LEXAN.

CYBER-TECH, Inc.



3D



Part Number CTI-2022682

**2 Rockers
 w/Standard Trigger**

Cyber-Tech, Inc.

Toll Free: 1.800.621.8754

1.503.620.2285 Fax: 1.503.620.8580

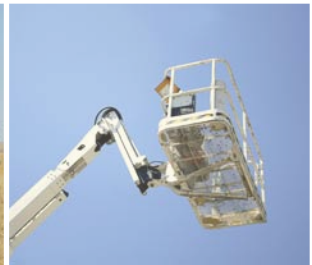
www.cyber-tech.net sales@cyber-tech.net

Standard Replacment Components

- Standard Switch: 32-S-95-10
- Flex-Core Actuator: 76-070024-01
- Rocker Button Assembly 76-070022-01
- Switch Leaf Spring 14-LS-95
- Standard Trigger 76-100012-10

Optional Components

See 8901-D Product Page and Brochure at www.cyber-tech.net



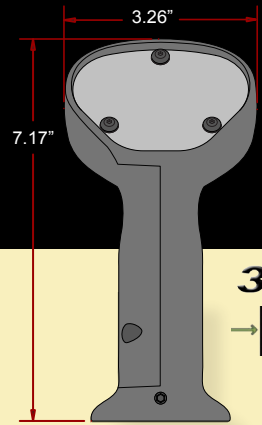
8901-D FlexCore

2 Rockers w/Two-Stage Trigger
Part Number CTI-2022683

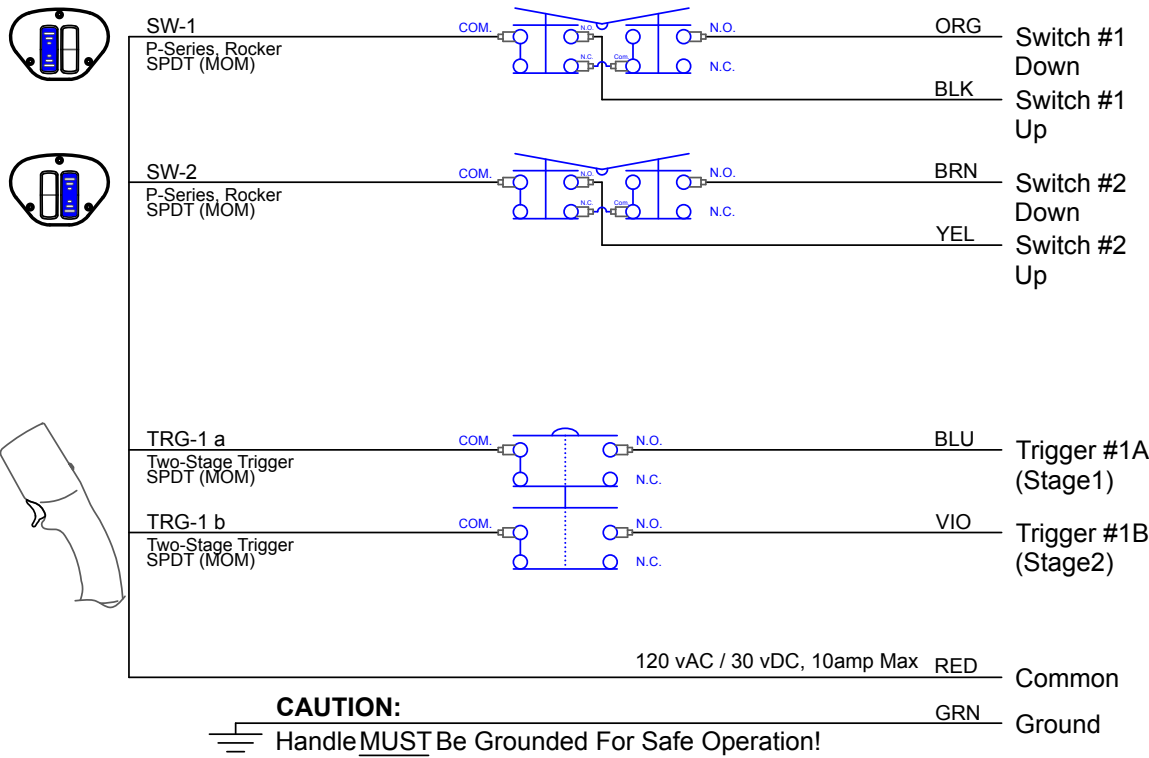
Control Features

- Mounting Thread: 1/2-14NPT
- Standard Switching: 120VAC / 30VDC @ 10amp.
- Switch Life Cycle: 10,000,000
- Electrical Cable: 6ft Standard, 20AWG, MIL Spec.
- Joystick Compatibility: Mounts to all Joysticks w/Adaptors
- Housing Material: Die Cast Aluminum, Powder Coated
- Faceplate Decal: Back Printed LEXAN.

CYBER-TECH, Inc.



3D



Part Number CTI-2022683

**2 Rockers
 w/Two-Stage Trigger**

Cyber-Tech, Inc.

Toll Free: 1.800.621.8754

1.503.620.2285 Fax: 1.503.620.8580

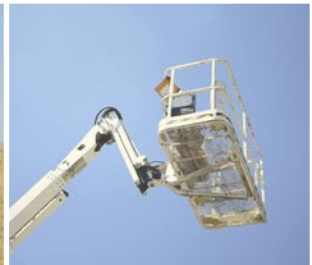
www.cyber-tech.net sales@cyber-tech.net

Standard Replacment Components

- Standard Switch: 32-S-95-10
- Flex-Core Actuator: 76-070024-01
- Rocker Button Assembly 76-070022-01
- Switch Leaf Spring 14-LS-95
- Two-Stage Trigger 76-100013-10

Optional Components

See 8901-D Product Page and Brochure at www.cyber-tech.net



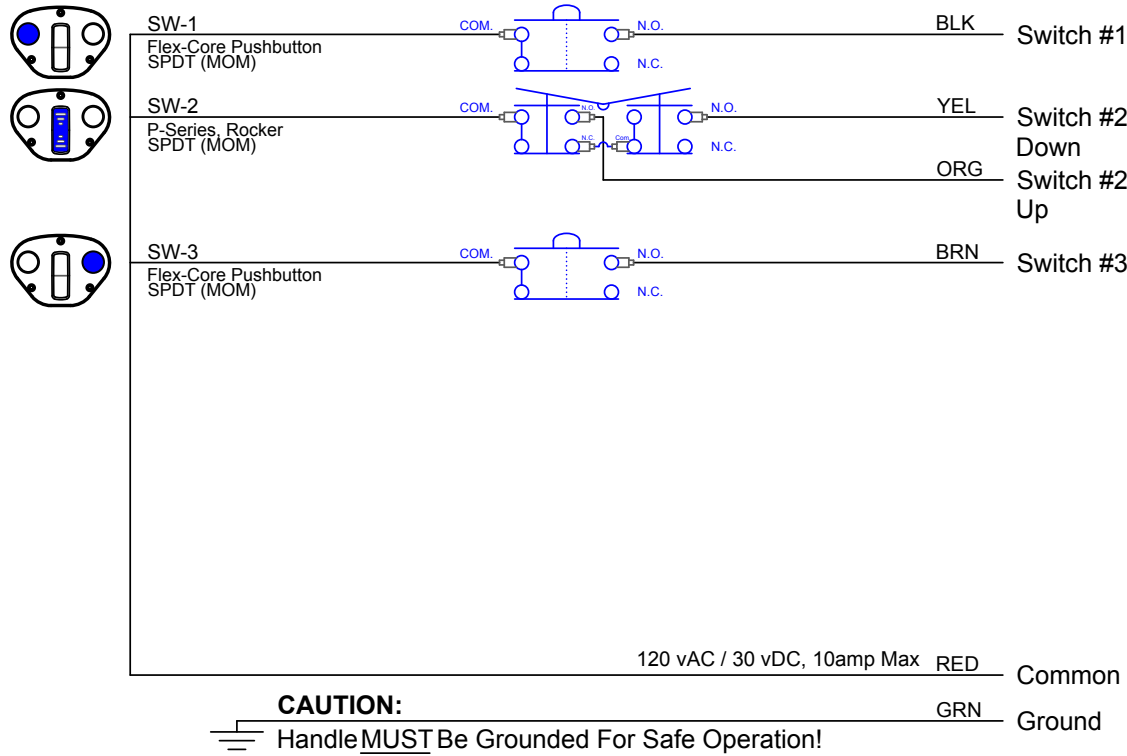
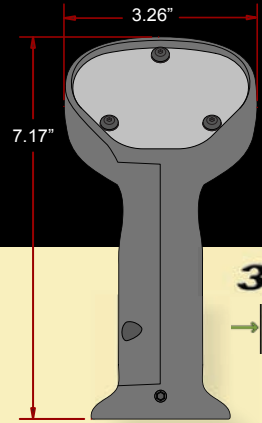
8901-D FlexCore

1 Rocker + 2 Pushbuttons Part Number CTI-2022684

Control Features

- Mounting Thread: 1/2-14NPT
- Standard Switching: 120VAC / 30VDC @ 10amp.
- Switch Life Cycle: 10,000,000
- Electrical Cable: 6ft Standard, 20AWG, MIL Spec.
- Joystick Compatibility: Mounts to all Joysticks w/Adaptors
- Housing Material: Die Cast Aluminum, Powder Coated
- Faceplate Decal: Back Printed LEXAN.

CYBER-TECH, Inc.



Shown Without Cable

Part Number CTI-2022684 1 Rocker + 2 Pushbuttons

Standard Replacment Components

- Standard Switch: 32-S-95-10
- Flex-Core Actuator: 76-070024-01
- Rocker Button Assembly 76-070022-01

Cyber-Tech, Inc.

Toll Free: 1.800.621.8754
 1.503.620.2285 Fax: 1.503.620.8580
 www.cyber-tech.net sales@cyber-tech.net

Optional Components

See 8901-D Product Page and Brochure at www.cyber-tech.net



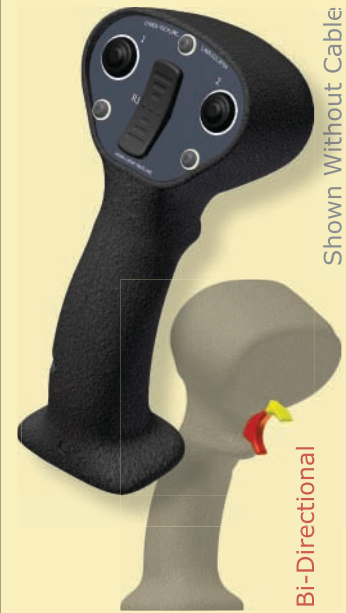
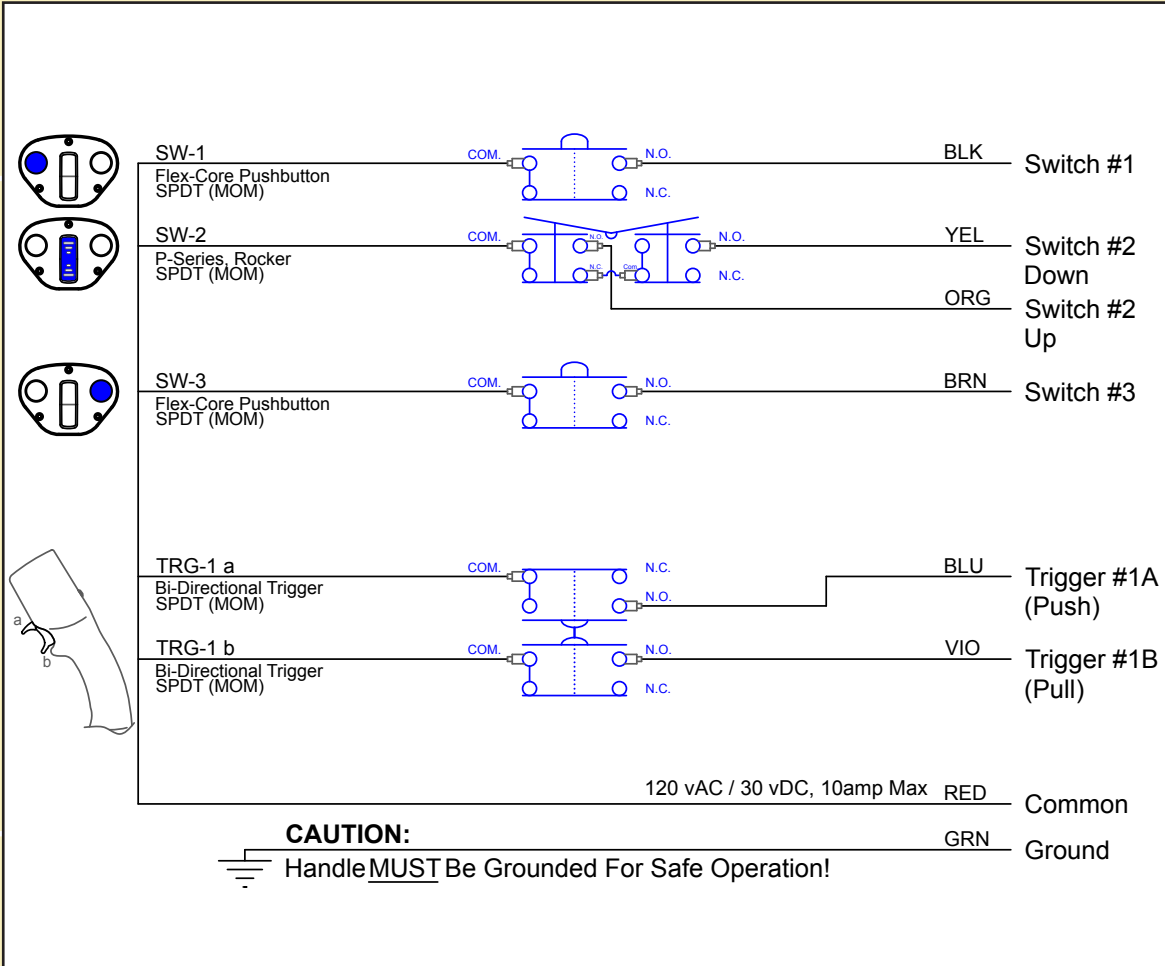
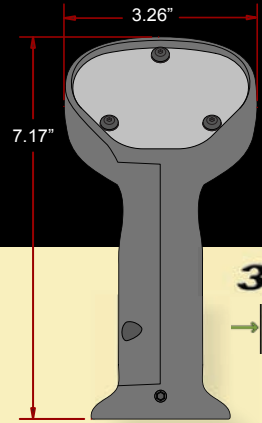
8901-D FlexCore

1 RKR + 2 PBs w/Bi-Direct Trigger
Part Number CTI-2022685

Control Features

- Mounting Thread: 1/2-14NPT
- Standard Switching: 120VAC / 30VDC @ 10amp.
- Switch Life Cycle: 10,000,000
- Electrical Cable: 6ft Standard, 20AWG, MIL Spec.
- Joystick Compatibility: Mounts to all Joysticks w/Adaptors
- Housing Material: Die Cast Aluminum, Powder Coated
- Faceplate Decal: Back Printed LEXAN.

CYBER-TECH, Inc.



Part Number CTI-2022685
1 Rocker + 2 Pushbuttons
w/Bi-Directional Trigger

Cyber-Tech, Inc.

Toll Free: 1.800.621.8754

1.503.620.2285 Fax: 1.503.620.8580

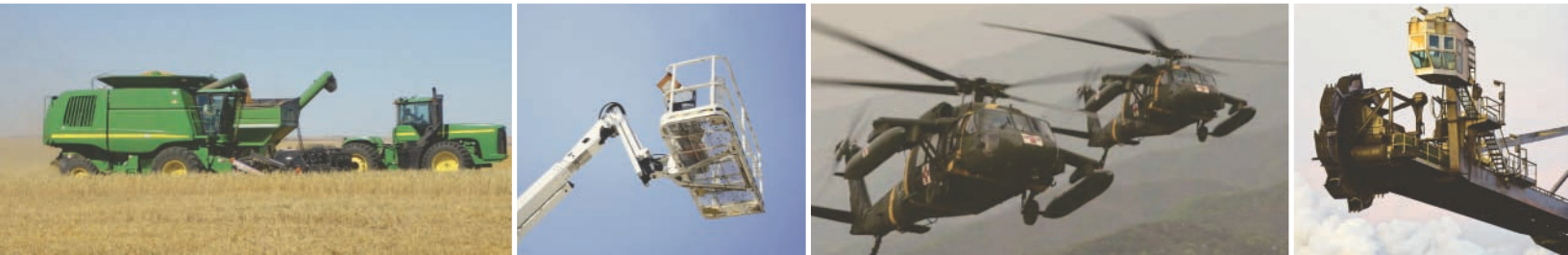
www.cyber-tech.net sales@cyber-tech.net

Standard Replacment Components

- Standard Switch: 32-S-95-10
- Flex-Core Actuator: 76-070024-01
- Rocker Button Assembly 76-070022-01
- Switch Leaf Spring 14-LS-95
- Bi-Directional Trigger 76-100014-10

Optional Components

See 8901-D Product Page and Brochure at www.cyber-tech.net



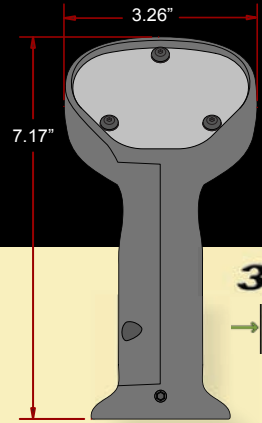
8901-D FlexCore

1 RKR + 2 PBs w/Deadman Lever
Part Number CTI-2022686

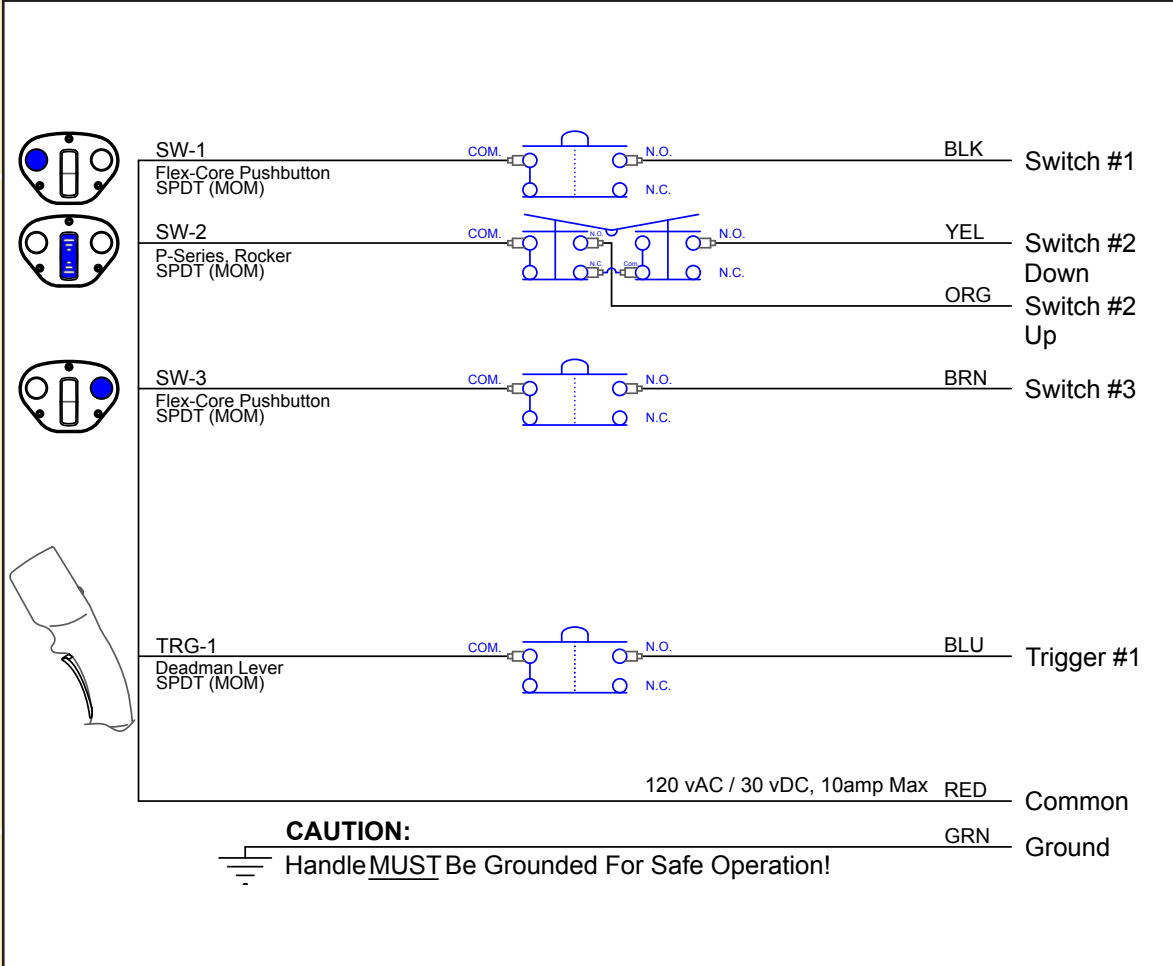
Control Features

- Mounting Thread: 1/2-14NPT
- Standard Switching: 120VAC / 30VDC @ 10amp.
- Switch Life Cycle: 10,000,000
- Electrical Cable: 6ft Standard, 20AWG, MIL Spec.
- Joystick Compatibility: Mounts to all Joysticks w/Adaptors
- Housing Material: Die Cast Aluminum, Powder Coated
- Faceplate Decal: Back Printed LEXAN.

CYBER-TECH, Inc.



3D
→



Part Number CTI-2022686
1 Rocker + 2 Pushbuttons
w/Deadman Lever

Cyber-Tech, Inc.
 Toll Free: 1.800.621.8754
 1.503.620.2285 Fax: 1.503.620.8580
 www.cyber-tech.net sales@cyber-tech.net

Standard Replacment Components

- Standard Switch: 32-S-95-10
- Flex-Core Actuator: 76-070024-01
- Rocker Button Assembly 76-070022-01
- Switch Leaf Spring 14-LS-95
- Deadman Lever 76-100016-10

Optional Components

See 8901-D Product Page and Brochure at www.cyber-tech.net



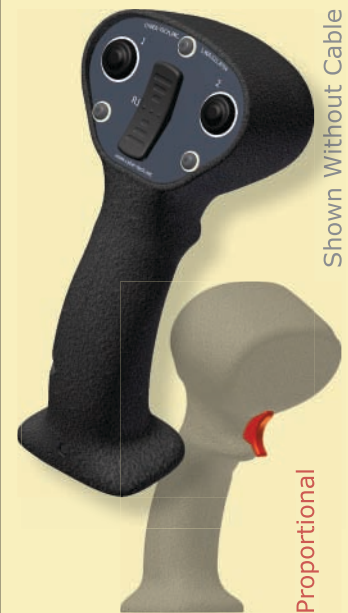
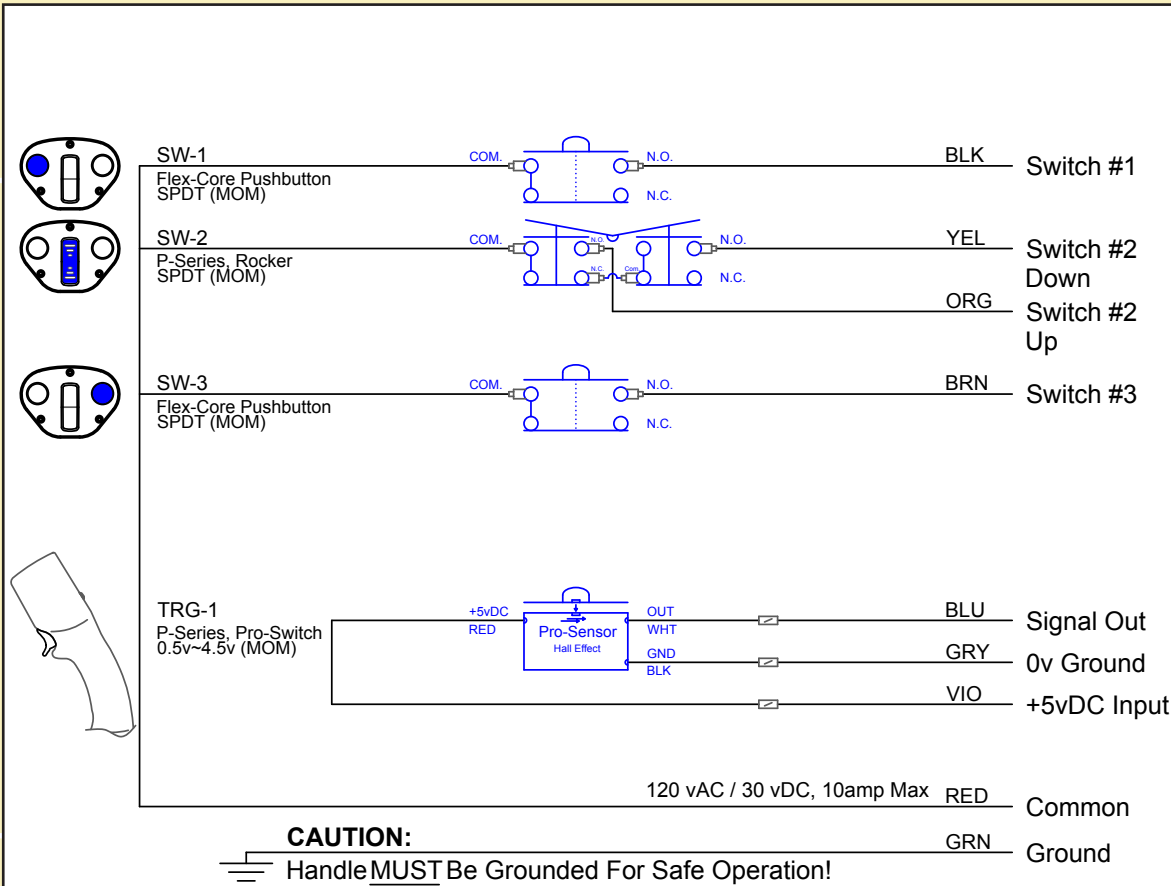
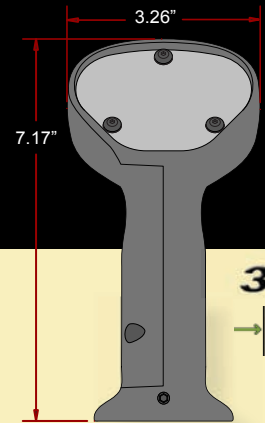
8901-D FlexCore

1 RKR + 2 PBs w/Pro Trigger
Part Number CTI-2022687

Control Features

- Mounting Thread: 1/2-14NPT
- Standard Switching: 120VAC / 30VDC @ 10amp.
- Switch Life Cycle: 10,000,000
- Electrical Cable: 6ft Standard, 20AWG, MIL Spec.
- Joystick Compatibility: Mounts to all Joysticks w/Adaptors
- Housing Material: Die Cast Aluminum, Powder Coated
- Faceplate Decal: Back Printed LEXAN.

CYBER-TECH, Inc.



Part Number CTI-2022687
1 Rocker + 2 Pushbuttons
w/Proportional Trigger

Cyber-Tech, Inc.

Toll Free: 1.800.621.8754

1.503.620.2285 Fax: 1.503.620.8580

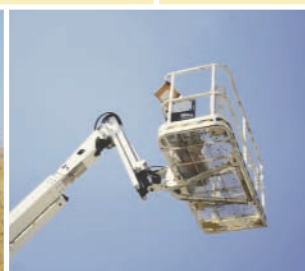
www.cyber-tech.net sales@cyber-tech.net

Standard Replacment Components

- Standard Switch: 32-S-95-10
- Flex-Core Actuator: 76-070024-01
- Rocker Button Assembly 76-070022-01
- Trigger Spring 14-TS-070045-01
- Proportional Trigger 76-100015-01
- Proportional Sensor 32-070029-01

Optional Components

See 8901-D Product Page and Brochure at www.cyber-tech.net



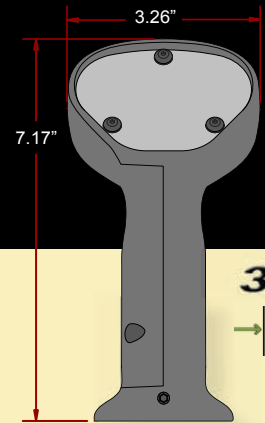
8901-D FlexCore

1 RKR + 2 PBs w/Standard Trigger
Part Number CTI-2022688

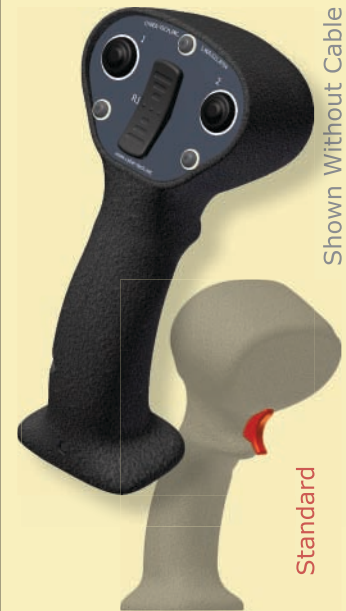
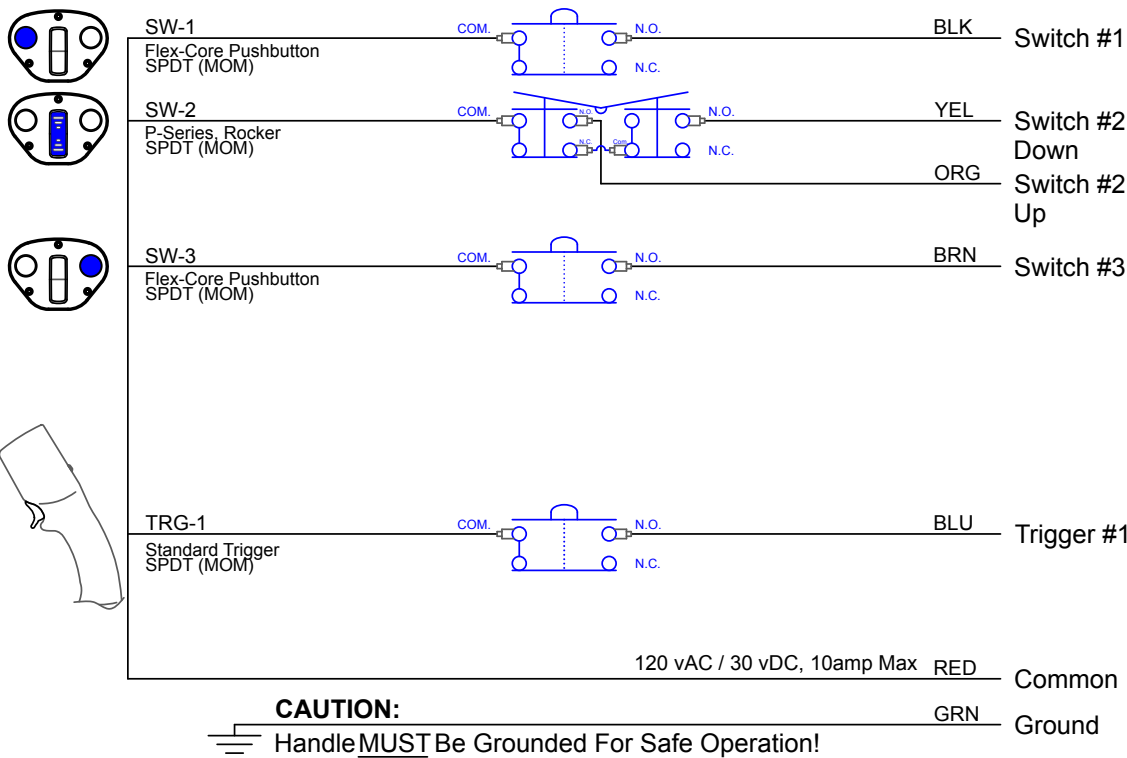
Control Features

- Mounting Thread: 1/2-14NPT
- Standard Switching: 120VAC / 30VDC @ 10amp.
- Switch Life Cycle: 10,000,000
- Electrical Cable: 6ft Standard, 20AWG, MIL Spec.
- Joystick Compatibility: Mounts to all Joysticks w/Adaptors
- Housing Material: Die Cast Aluminum, Powder Coated
- Faceplate Decal: Back Printed LEXAN.

CYBER-TECH, Inc.



3D



Part Number CTI-2022688

1 Rocker + 2 Pushbuttons w/Standard Trigger

Cyber-Tech, Inc.

Toll Free: 1.800.621.8754

1.503.620.2285 Fax: 1.503.620.8580

www.cyber-tech.net sales@cyber-tech.net

Standard Replacment Components

- Standard Switch: 32-S-95-10
- Flex-Core Actuator: 76-070024-01
- Rocker Button Assembly 76-070022-01
- Switch Leaf Spring 14-LS-95
- Standard Trigger 76-100012-10

Optional Components

See 8901-D Product Page and Brochure at www.cyber-tech.net



8901-D FlexCore

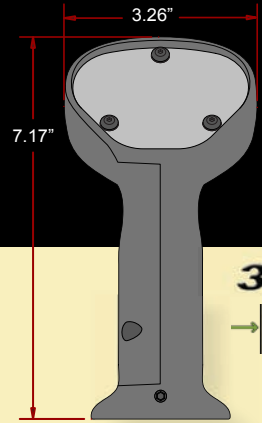
1 RKR + 2 PBs w/Two-Stage Trigger
Part Number CTI-2022689

P. 47

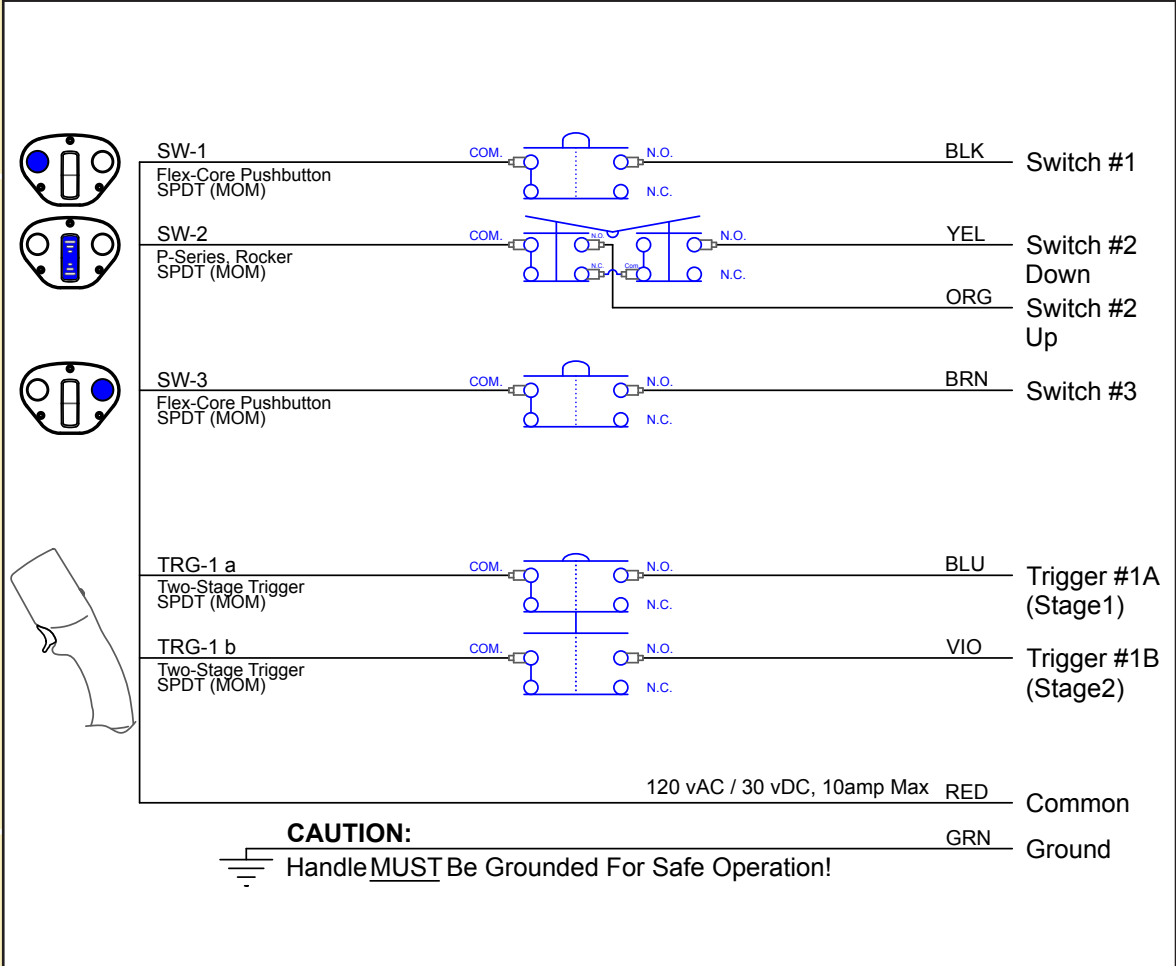
Control Features

- Mounting Thread: 1/2-14NPT
- Standard Switching: 120VAC / 30VDC @ 10amp.
- Switch Life Cycle: 10,000,000
- Electrical Cable: 6ft Standard, 20AWG, MIL Spec.
- Joystick Compatibility: Mounts to all Joysticks w/Adaptors
- Housing Material: Die Cast Aluminum, Powder Coated
- Faceplate Decal: Back Printed LEXAN.

CYBER-TECH, Inc.



3D



Part Number CTI-2022689
1 Rocker + 2 Pushbuttons
w/Two-Stage Trigger

Cyber-Tech, Inc.
 Toll Free: 1.800.621.8754
 1.503.620.2285 Fax: 1.503.620.8580
 www.cyber-tech.net sales@cyber-tech.net

Standard Replacment Components

- Standard Switch: 32-S-95-10
- Flex-Core Actuator: 76-070024-01
- Rocker Button Assembly 76-070022-01
- Switch Leaf Spring 14-LS-95
- Two-Stage Trigger 76-100013-10

Optional Components

See 8901-D Product Page and Brochure at www.cyber-tech.net

P. 47



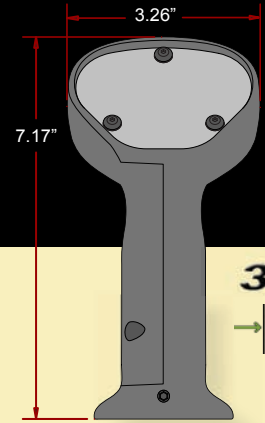
8901-D FlexCore

2 Rockers + 2 Pushbuttons Part Number CTI-2022690

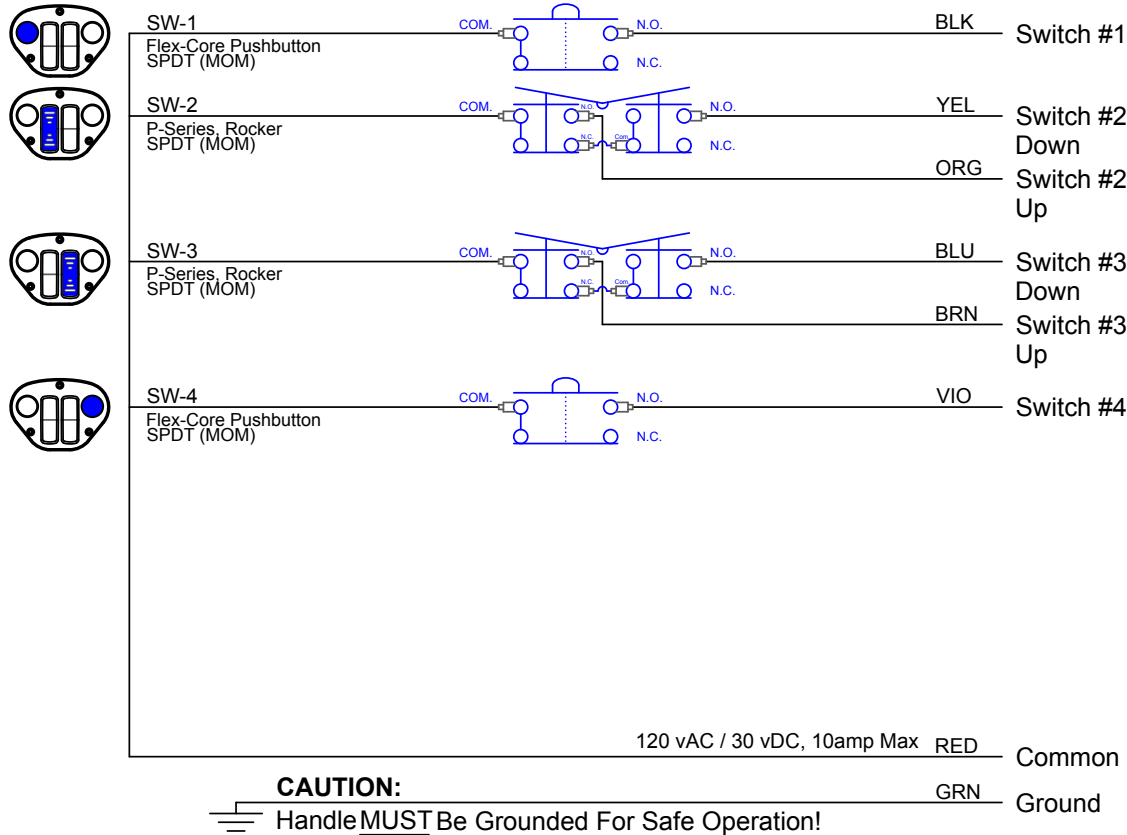
Control Features

- Mounting Thread: 1/2-14NPT
- Standard Switching: 120VAC / 30VDC @ 10amp.
- Switch Life Cycle: 10,000,000
- Electrical Cable: 6ft Standard, 20AWG, MIL Spec.
- Joystick Compatibility: Mounts to all Joysticks w/Adaptors
- Housing Material: Die Cast Aluminum, Powder Coated
- Faceplate Decal: Back Printed LEXAN.

CYBER-TECH, Inc.



3D



Part Number CTI-2022690 2 Rockers + 2 Pushbuttons

Standard Replacment Components

- Standard Switch: 32-S-95-10
- Flex-Core Actuator: 76-070024-01
- Rocker Button Assembly 76-070022-01

Cyber-Tech, Inc.

Toll Free: 1.800.621.8754
 1.503.620.2285 Fax: 1.503.620.8580
 www.cyber-tech.net sales@cyber-tech.net

Optional Components

See 8901-D Product Page and Brochure at www.cyber-tech.net



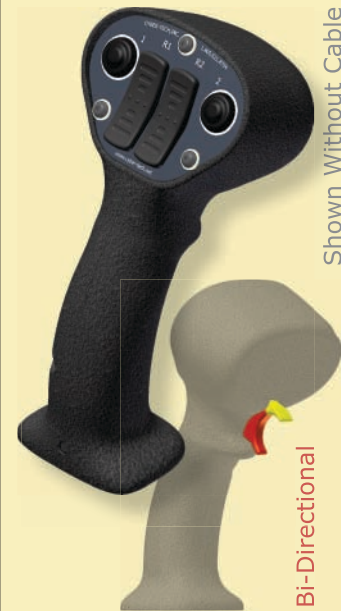
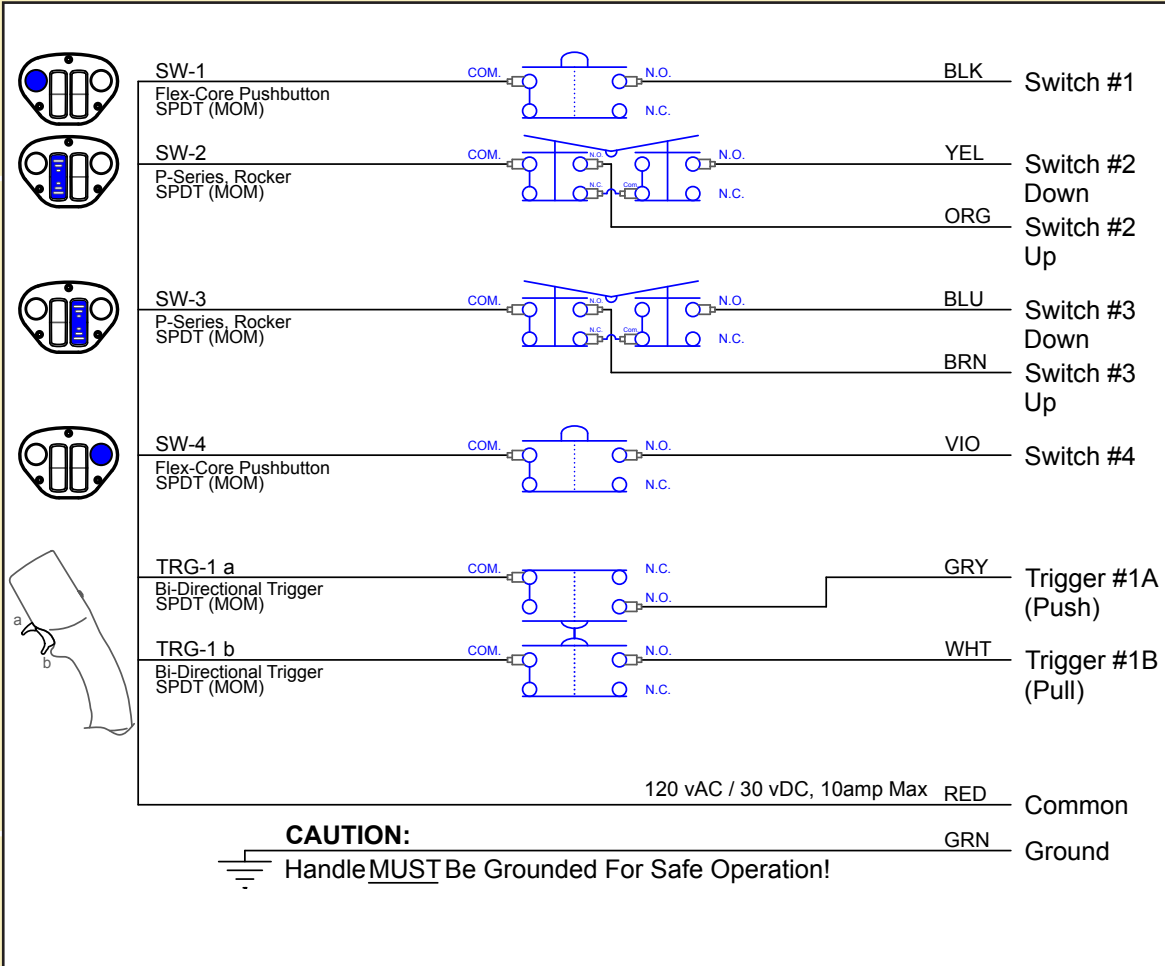
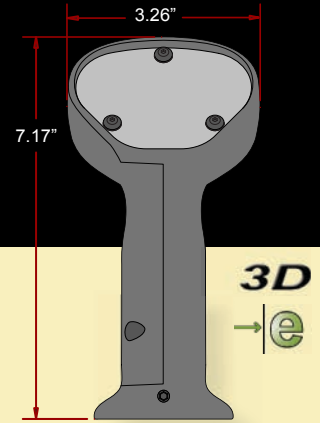
8901-D FlexCore

P. 49
2 RKR + 2 PBs w/Bi-Direct Trigger
Part Number CTI-2022691

Control Features

- Mounting Thread: 1/2-14NPT
- Standard Switching: 120VAC / 30VDC @ 10amp.
- Switch Life Cycle: 10,000,000
- Electrical Cable: 6ft Standard, 20AWG, MIL Spec.
- Joystick Compatibility: Mounts to all Joysticks w/Adaptors
- Housing Material: Die Cast Aluminum, Powder Coated
- Faceplate Decal: Back Printed LEXAN.

CYBER-TECH, Inc.



Part Number CTI-2022691
2 Rockers + 2 Pushbuttons
w/Bi-Directional Trigger

Cyber-Tech, Inc.

Toll Free: 1.800.621.8754

1.503.620.2285 Fax: 1.503.620.8580

www.cyber-tech.net sales@cyber-tech.net

Standard Replacment Components

- Standard Switch: 32-S-95-10
- Flex-Core Actuator: 76-070024-01
- Rocker Button Assembly 76-070022-01
- Switch Leaf Spring 14-LS-95
- Bi-Directional Trigger 76-100014-10

Optional Components

See 8901-D Product Page and Brochure at www.cyber-tech.net



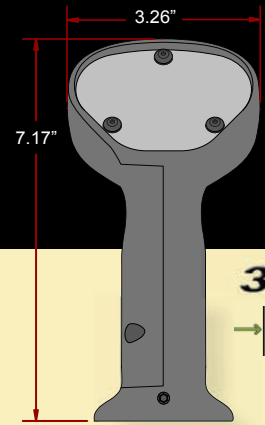
8901-D FlexCore

2 RKR + 2 PBs w/Deadman Lever
Part Number CTI-2022692

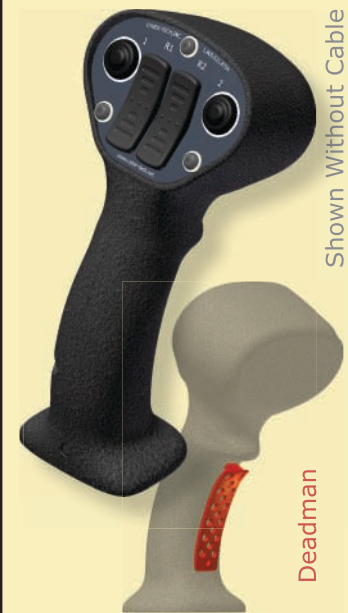
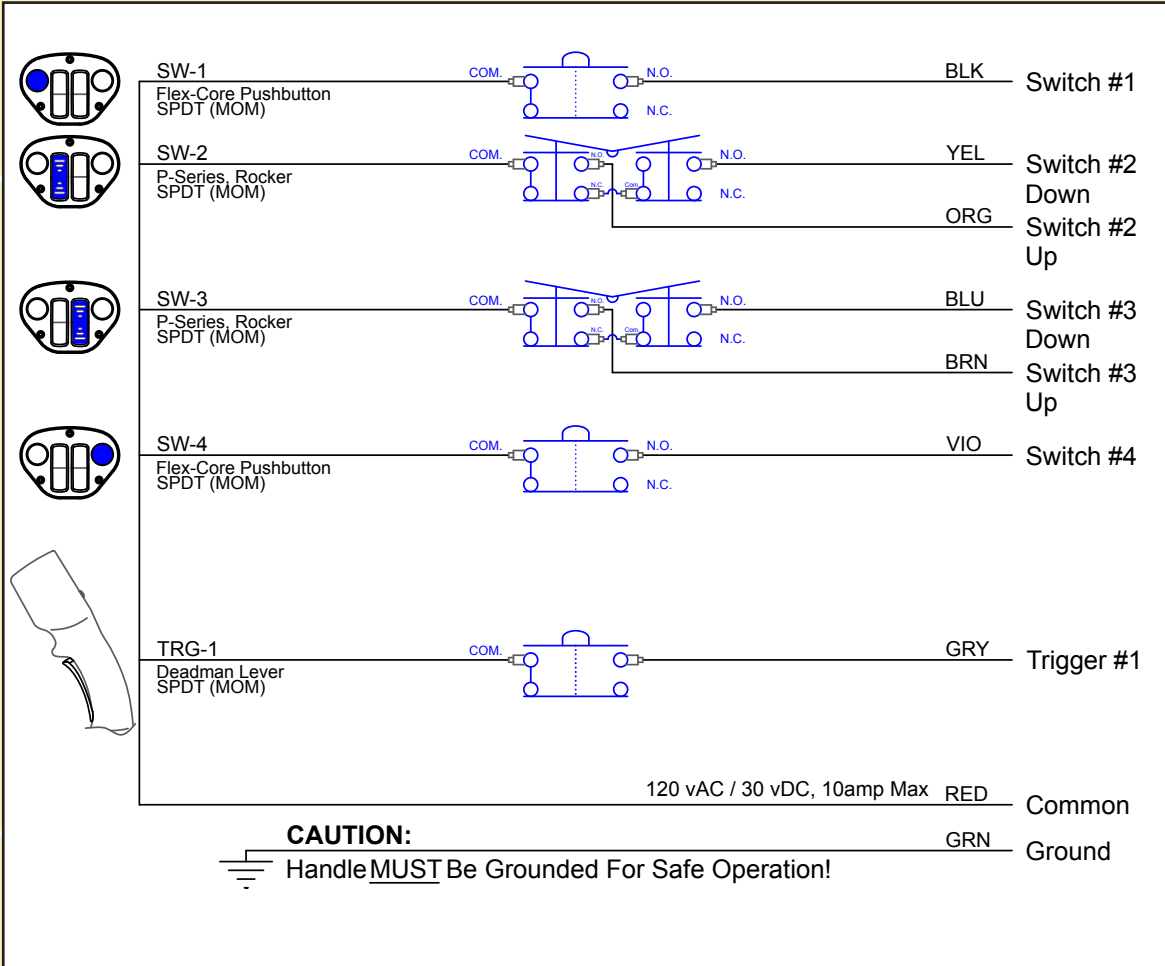
Control Features

- Mounting Thread: 1/2-14NPT
- Standard Switching: 120VAC / 30VDC @ 10amp.
- Switch Life Cycle: 10,000,000
- Electrical Cable: 6ft Standard, 20AWG, MIL Spec.
- Joystick Compatibility: Mounts to all Joysticks w/Adaptors
- Housing Material: Die Cast Aluminum, Powder Coated
- Faceplate Decal: Back Printed LEXAN.

CYBER-TECH, Inc.



3D



Part Number CTI-2022692
2 Rockers + 2 Pushbuttons
w/Deadmand Lever

Cyber-Tech, Inc.

Toll Free: 1.800.621.8754

1.503.620.2285 Fax: 1.503.620.8580

www.cyber-tech.net sales@cyber-tech.net

Standard Replacment Components

- Standard Switch: 32-S-95-10
- Flex-Core Actuator: 76-070024-01
- Rocker Button Assembly 76-070022-01
- Switch Leaf Spring 14-LS-95
- Deadman Lever 76-070027-04

Optional Components

See 8901-D Product Page and Brochure at www.cyber-tech.net



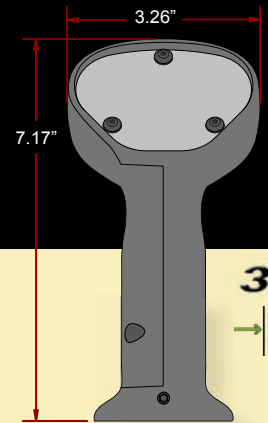
8901-D FlexCore

2 RKR + 2 PBs w/Pro Trigger
Part Number CTI-2022693

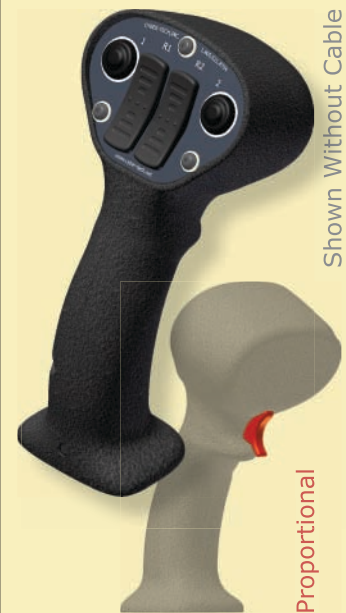
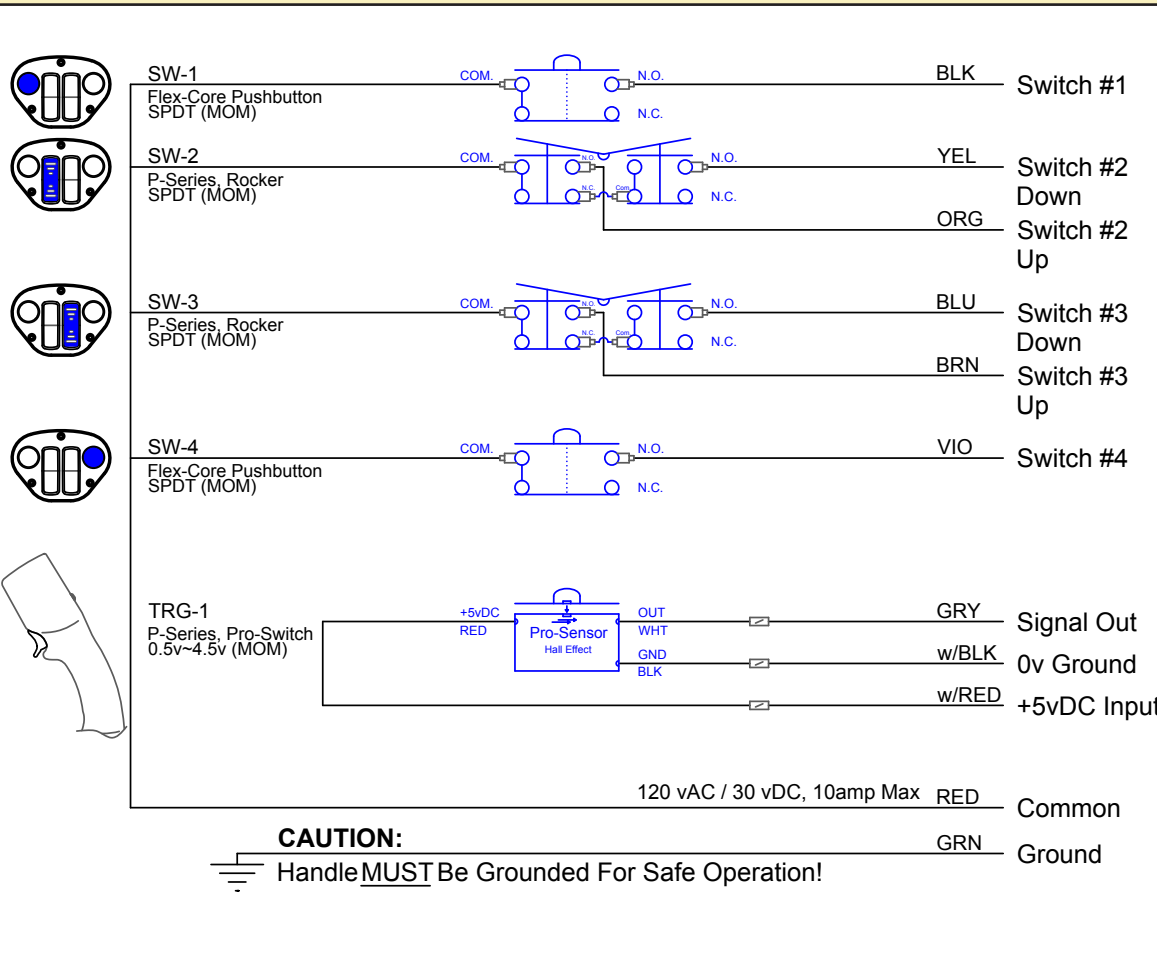
Control Features

- Mounting Thread: 1/2-14NPT
- Standard Switching: 120VAC / 30VDC @ 10amp.
- Switch Life Cycle: 10,000,000
- Electrical Cable: 6ft Standard, 20AWG, MIL Spec.
- Joystick Compatibility: Mounts to all Joysticks w/Adaptors
- Housing Material: Die Cast Aluminum, Powder Coated
- Faceplate Decal: Back Printed LEXAN.

CYBER-TECH, Inc.



3D



Part Number CTI-2022693
2 Rockers + 2 Pushbuttons
w/Proportional Trigger

Cyber-Tech, Inc.

Toll Free: 1.800.621.8754

1.503.620.2285 Fax: 1.503.620.8580

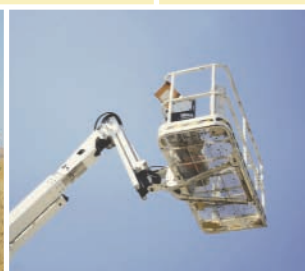
www.cyber-tech.net sales@cyber-tech.net

Standard Replacment Components

- Standard Switch: 32-S-95-10
- Flex-Core Actuator: 76-070024-01
- Rocker Button Assembly 76-070022-01
- Trigger Spring 14-TS-070045-01
- Proportional Trigger 76-100015-01
- Proportional Sensor 32-070029-01

Optional Components

See 8901-D Product Page and Brochure at www.cyber-tech.net



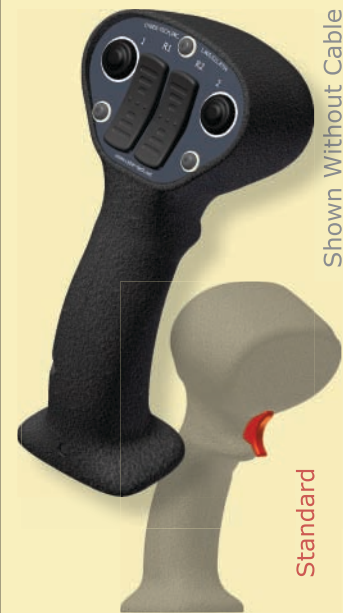
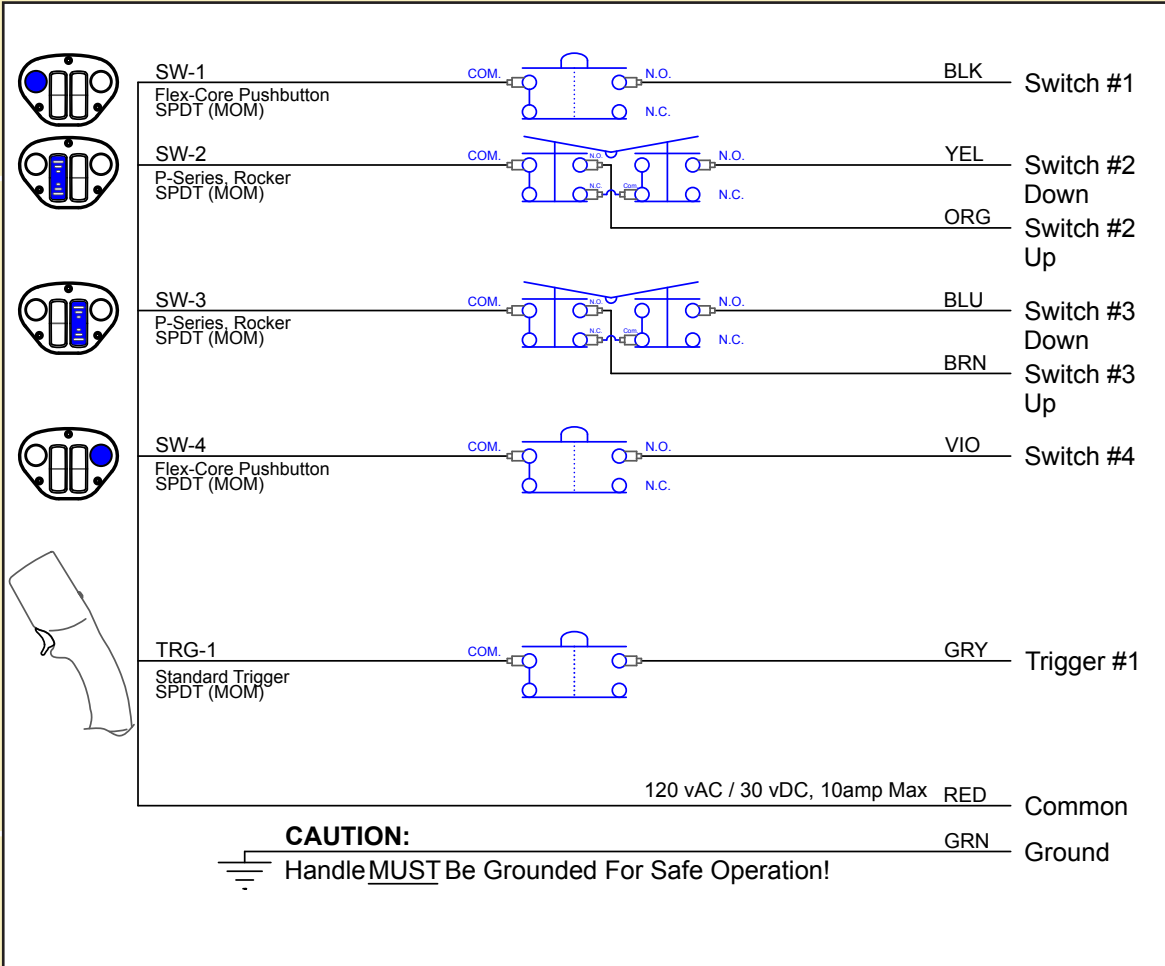
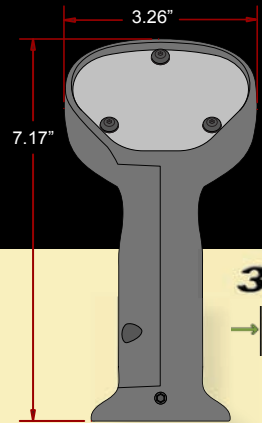
8901-D FlexCore

P. 52
2 RKR + 2 PBs w/Standard Trigger
Part Number CTI-2022694

Control Features

- Mounting Thread: 1/2-14NPT
- Standard Switching: 120VAC / 30VDC @ 10amp.
- Switch Life Cycle: 10,000,000
- Electrical Cable: 6ft Standard, 20AWG, MIL Spec.
- Joystick Compatibility: Mounts to all Joysticks w/Adaptors
- Housing Material: Die Cast Aluminum, Powder Coated
- Faceplate Decal: Back Printed LEXAN.

CYBER-TECH, Inc.



Part Number CTI-2022694

2 Rockers + 2 Pushbuttons w/Standard Trigger

Cyber-Tech, Inc.

Toll Free: 1.800.621.8754

1.503.620.2285 Fax: 1.503.620.8580

www.cyber-tech.net sales@cyber-tech.net

Standard Replacment Components

- Standard Switch: 32-S-95-10
- Flex-Core Actuator: 76-070024-01
- Rocker Button Assembly 76-070022-01
- Switch Leaf Spring 14-LS-95
- Standard Trigger 76-100012-10

Optional Components

See 8901-D Product Page and Brochure at www.cyber-tech.net



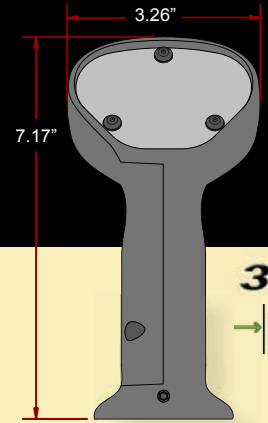
8901-D FlexCore

2 RKR + 2 PBs w/Two-Stage Trig
Part Number CTI-2022695

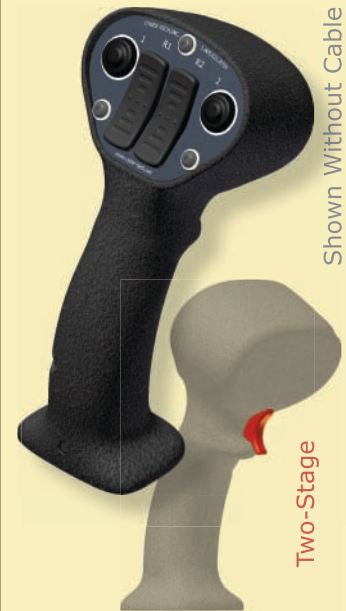
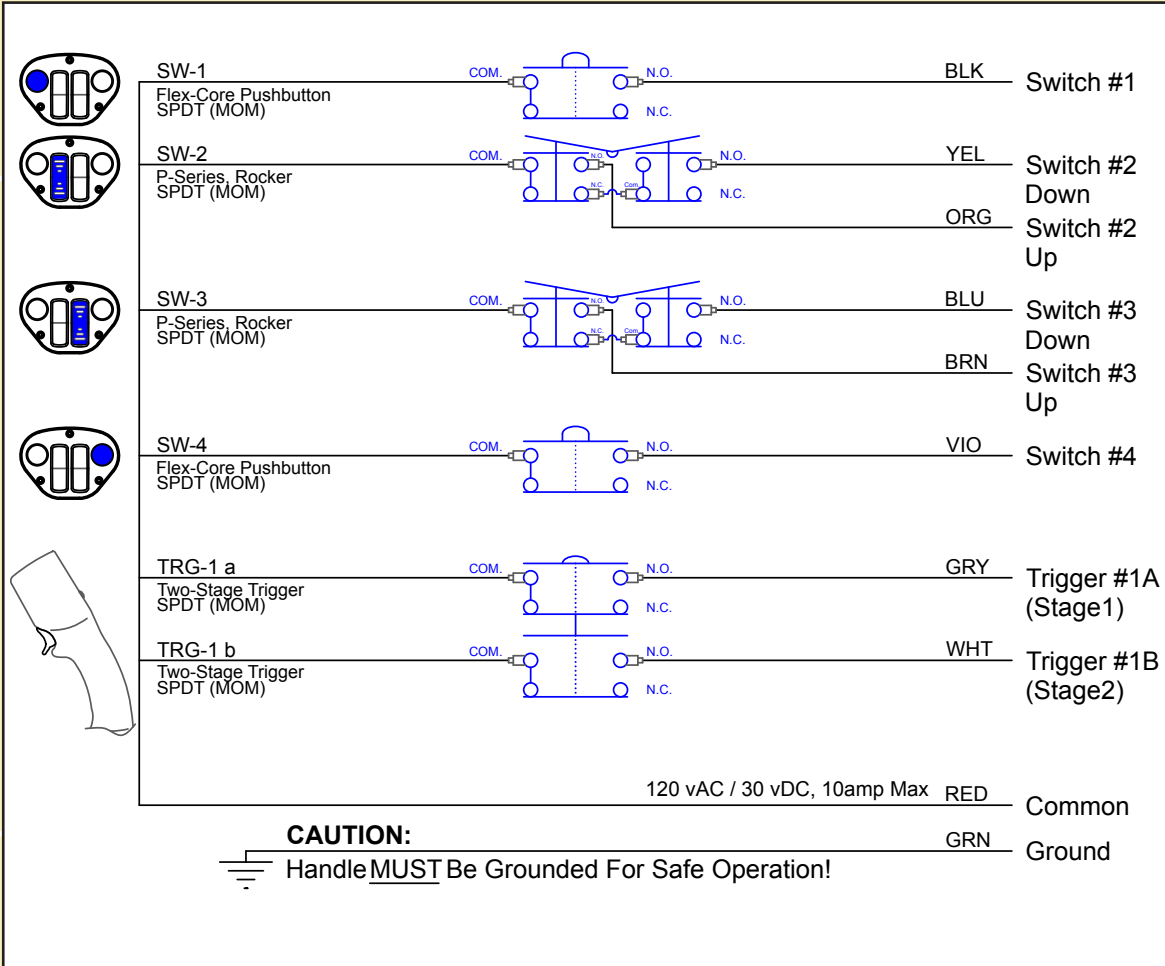
Control Features

- Mounting Thread: 1/2-14NPT
- Standard Switching: 120VAC / 30VDC @ 10amp.
- Switch Life Cycle: 10,000,000
- Electrical Cable: 6ft Standard, 20AWG, MIL Spec.
- Joystick Compatibility: Mounts to all Joysticks w/Adaptors
- Housing Material: Die Cast Aluminum, Powder Coated
- Faceplate Decal: Back Printed LEXAN.

CYBER-TECH, Inc.



3D



Part Number CTI-2022695

2 Rockers + 2 Pushbuttons w/Two-Stage Trigger

Cyber-Tech, Inc.

Toll Free: 1.800.621.8754

1.503.620.2285 Fax: 1.503.620.8580

www.cyber-tech.net sales@cyber-tech.net

Standard Replacement Components

- Standard Switch: 32-S-95-10
- Flex-Core Actuator: 76-070024-01
- Rocker Button Assembly 76-070022-01
- Switch Leaf Spring 14-LS-95
- Two-Stage Trigger 76-100013-10

Optional Components

See 8901-D Product Page and Brochure at www.cyber-tech.net



LIMITED WARRANTY

For warranty consideration please call our sales team at 1-800-621-8754.

8901-D FlexCore LIMITED WARRANTY

Cyber-Tech, Inc. warrants products against defects in material and/or workmanship as follows:

GENERAL TERMS OF SYSTEM & ACCESSORY WARRANTY

CYBER-TECH INC. warrants all equipment (i) to be free from defects in workmanship and materials, (ii) to comply with design drawings and specifications as approved by BUYER, (iii) to be in conformity with other written requirements (if any) of BUYER approved by CYBER-TECH INC. IN WRITING. CYBER-TECH INC. retains the right to inspect product reported as defective. Upon confirmation of defects, CYBER-TECH INC. agrees to replace or repair the defective product. Units repaired or replaced under warranty will bear the remainder of the original equipment warranty. CYBER-TECH INC. is not responsible for product damage or failure resulting from, in whole or in part, improper installation, accident, misuse, abuse, acts of God, BUYER reassembly or modifications, lack of normal and expected preventative maintenance as specified.

MODEL 8901-D FlexCore, Handy-Grip® Handle

1. LABOR: For a period of (1) year from date of purchase, if this product is determined to be defective, Cyber-Tech, Inc. will repair or replace the product, at its option, at no charge. After the Warranty Period you must pay for all labor charges.
2. CYBER-TECH, INC. PARTS: In addition, Cyber-Tech, Inc. will supply, at no charge, new or rebuilt replacement in exchange for defective parts manufactured by Cyber-Tech, Inc. for a period of (1) year from date of purchase.
3. 3rd Party PARTS: in addition, Cyber-Tech, inc. will supply, at no charge, a replacement in exchange for defective parts manufactured by 3rd party suppliers, for period of (1) year from date of purchase.

Conditions for Returning a Product for Warranty.

To obtain warranty service you must first contact our "customer service" department to be issued an RMA number. Deliver the product freight prepaid to Cyber-Tech, Inc. with its original serial number tag and a description of the problem, in either its original packaging or packaging affording an equal degree of protection. The issued RMA number must be clearly written on the exterior of the packaging and enclosed documentations.

This warranty does not cover customer installations, setup or wrongfully supplied voltage.

This warranty does not cover cosmetic damage due to act of God, accident, misuse, abuse, negligence, or modification of or any part of the product. This warranty does not cover damage due to improper operation or maintenance, connection of improper voltage. Proof of purchase in the form of a receipted invoice which is evidence that the unit is within the Warranty period must be supplied by the customer to obtain warranty service.

Cyber-tech, Inc. does not pay for field service replacements nor does it allow for automatic deductions from invoice. Cyber-Tech, Inc. only warrants replacement of parts under limited warranty guidelines.

This warranty is invalid if the factory applied serial number/lot tag has been altered or removed from the product.

REPAIR OR REPLACEMENT AS PROVIDED UNDER THIS WARRANTY IS THE EXCLUSIVE REMEDY OF THE END USER OR MANUFACTURE. CYBER-TECH, INC. SHALL NOT BE LIABLE FOR ANY INCIDENTAL OR CONSEQUENTIAL DAMAGES FOR BREACH OF ANY EXPRESS OR IMPLIED WARRANTY ON THIS PRODUCT

www.cyber-tech.net

sales@cyber-tech.net

Toll Free: 1.800.621.8754

1.503.620.2285

Fax: 1.503.620.8580

