

CTI

Industrial Control Solutions

8901-RB



a commitment to intergrated engineering & design

Cyber-Tech, Inc.
7943 SW Cirrus Dr
Beaverton, Oregon 97008

www.cyber-tech.net

PO Box 23801
Portland, Oregon 97281

1.800.621.8754

503.620.2285

Fax 503.620.8580

8901-RB HANDY-GRIP®

2 Rocker, 2 Pushbutton w/Caps



Product shown without cable harness for clarity

GENERAL DIMENSIONS



Product shown without switches for clarity

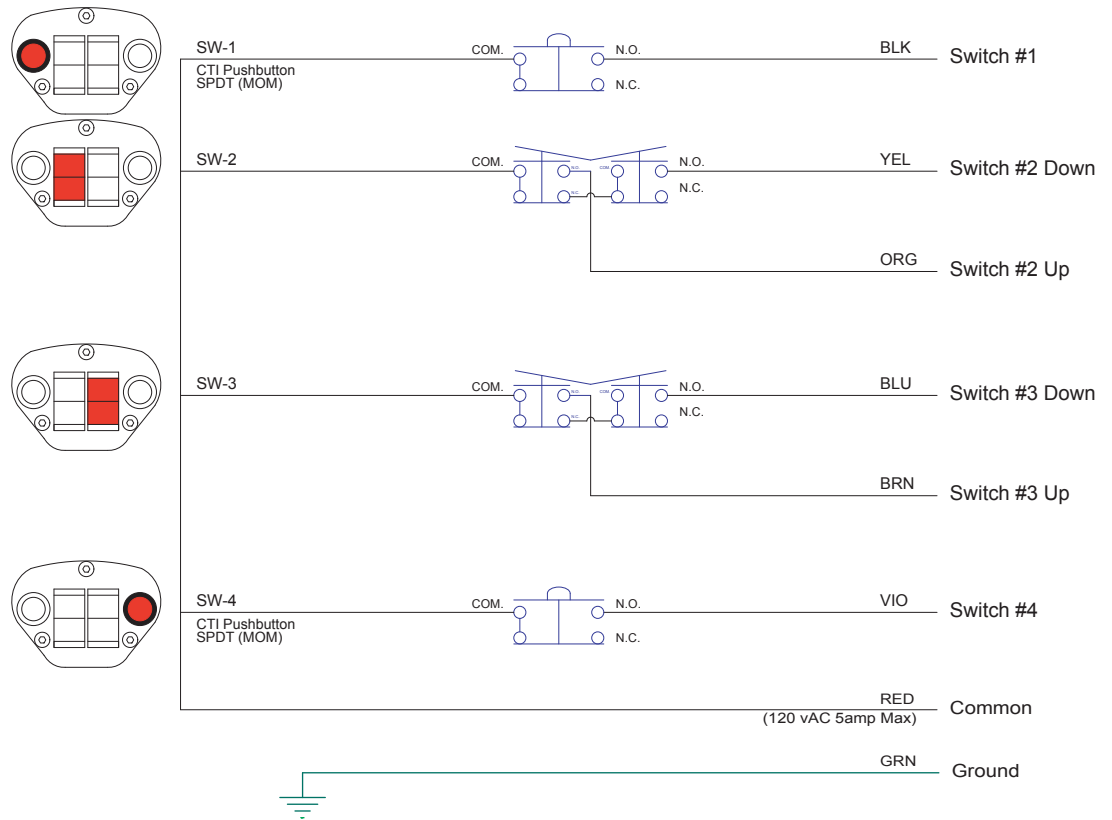
Control Unit Features:

- Switches 1,4: SPDT Mom Pushbutton Switch With Red Seal Caps
- Switches 2,3: SPDT Mom Rocker Switch With Red Seal Caps
- Standard CTI Overlay
- 10 Ft Cable
- 1/2 NPT Mounting Thread With Locking Setscrew

General Information:

- Control Handle Material: Aluminum
- Finish: Black Powder Coat
- Faceplate Material: Aluminum - 5052
- Overlay Material: Polycarbonate
- Temperature Range: -55°C to +85°C at rated current
- CTI Switch Life Cycles: 10,000,000
- Current Rating: 5 amps @ 30vDC

CTI PART# : CTI-2021282



CAUTION:
Metal Handle **MUST** Be Grounded For Safe Operation!

Spare Replacment Components For Part # **CTI-2021282**

- Handle Part #: **69-B92321-04**
- Faceplate: **65-A30323-11**
- Switches 1,4: **32-P-A60215-01**
- Seals 1,4: **76-010321-01**
- Switches 2,3: **32-R-922190-01**
- Seals 2,3: **76-010235-01**

Cable Harness: **22-C-NQ920-J-11**



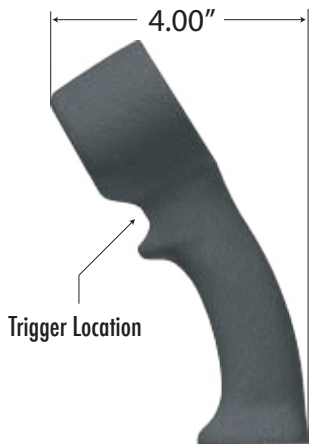
8901-RB HANDY-GRIP®

2 Rocker, 2 Pushbutton + Trigger w/Caps



Product shown without cable harness for clarity

GENERAL DIMENSIONS



Product shown without switches for clarity

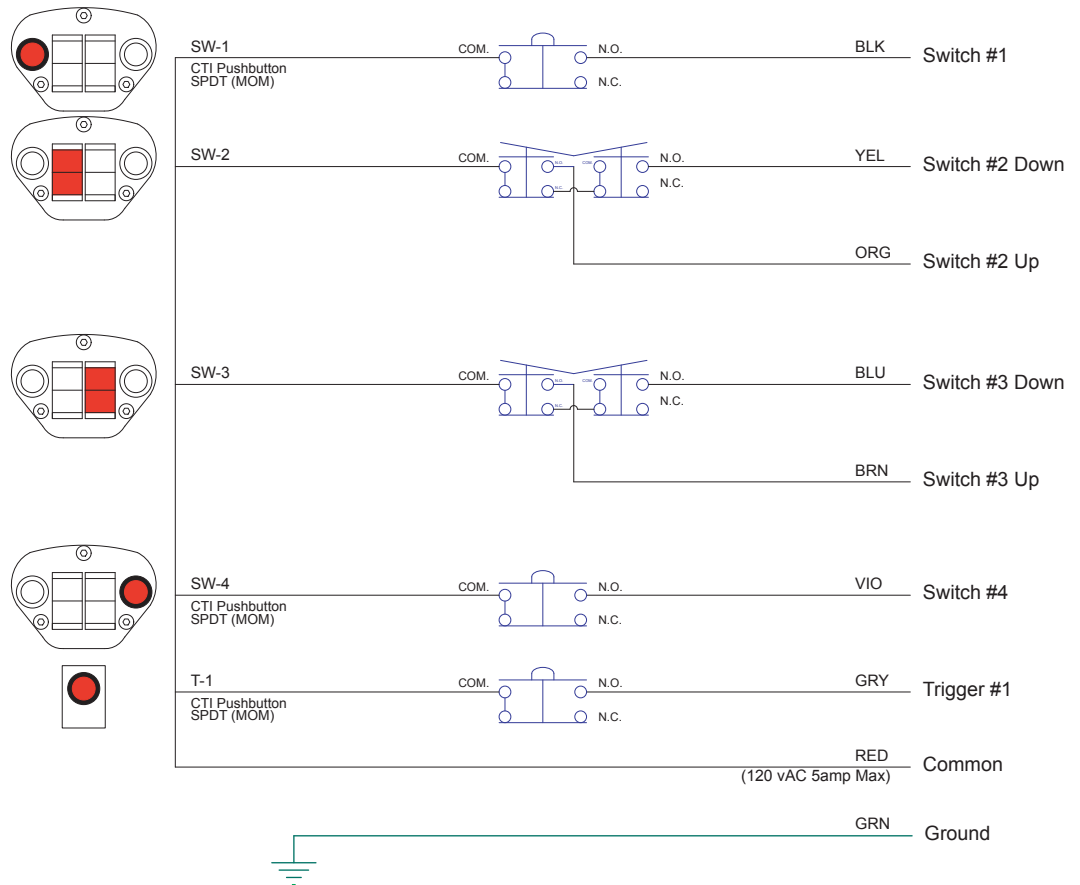
Control Unit Features:

- Switches 1,4: SPDT Mom Pushbutton Switch With Red Seal Caps
- Switches 2,3: SPDT Mom Rocker Switch With Red Seal Caps
- Trigger 1: SPDT Mom Pushbutton Switch With Red Seal Cap
- Standard CTI Overlay
- 10 Ft Cable
- 1/2 NPT Mounting Thread With Locking Setscrew

General Information:

- Control Handle Material: Aluminum
- Finish: Black Powder Coat
- Faceplate Material: Aluminum - 5052
- Overlay Material: Polycarbonate
- Temperature Range: -55°C to +85°C at rated current
- CTI Switch Life Cycles: 10,000,000
- Current Rating: 5 amps @ 30vDC

CTI PART# : CTI-2021283



CAUTION:
Metal Handle **MUST** Be Grounded For Safe Operation!

Spare Replacment Components For Part # **CTI-2021283**

- Handle Part #: **69-B92321-03**
- Faceplate: **65-A30323-11**
- Switches 1,4: **32-P-A60215-01**
- Seals 1,4: **76-010321-01**
- Switches 2,3: **32-R-922190-01**
- Seals 2,3: **76-010235-01**

- Trigger 1 Switch: **32-P-A60215-01**
- Trigger 1 Seal: **76-010321-01**
- Cable Harness: **22-C-NQ920-J-11**



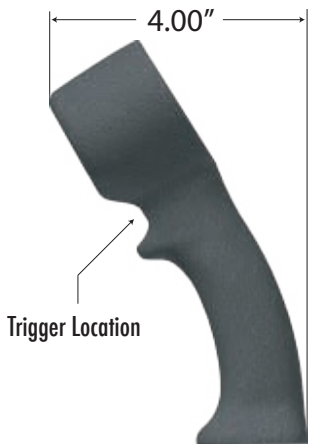
8901-RB HANDY-GRIP

6 Pushbutton w/Boots



Product shown without cable harness for clarity

GENERAL DIMENSIONS



Product shown without switches for clarity

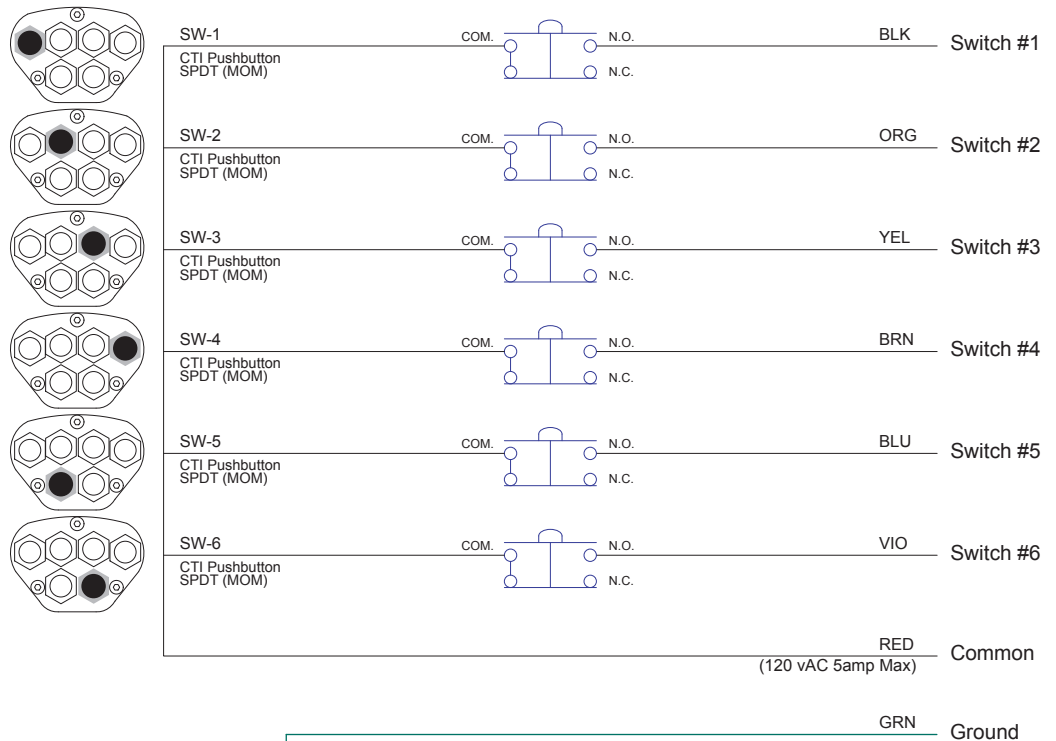
Control Unit Features:

Switches 1- 6: SPDT Mom Pushbutton Switch With Black/Chrome Seal Boots
 Standard CTI Overlay
 10 Ft Cable
 1/2 NPT Mounting Thread With Locking Setscrew

General Information:

Control Handle Material: Aluminum
 Finish: Black Powder Coat
 Faceplate Material: Aluminum - 5052
 Overlay Material: Polycarbonate
 Temperature Range: -55°C to +85°C at rated current
 CTI Switch Life Cycles: 10,000,000
 Current Rating: 5 amps @ 120vAC

CTI PART# : CTI-2021278



CAUTION:
 Metal Handle MUST Be Grounded For Safe Operation!

Spare Replacment Components For Part # **CTI-2021278**

Handle Part #: **69-B92321-04**
 Faceplate: **65-A30323-07**
 Switches 1-6: **32-P-A60215-01**
 Seals 1- 6: **33-BPB-589**
 Cable Harness: **22-C-NQ-920-J-11**



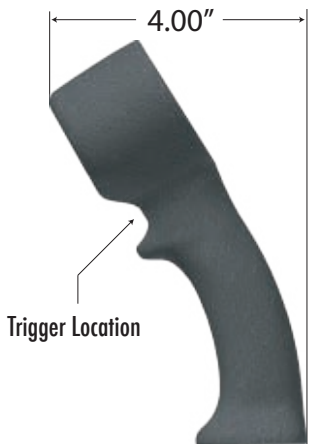
8901-RB HANDY-GRIP®

6 Pushbutton w/Caps



Product shown without cable harness for clarity

GENERAL DIMENSIONS



Product shown without switches for clarity

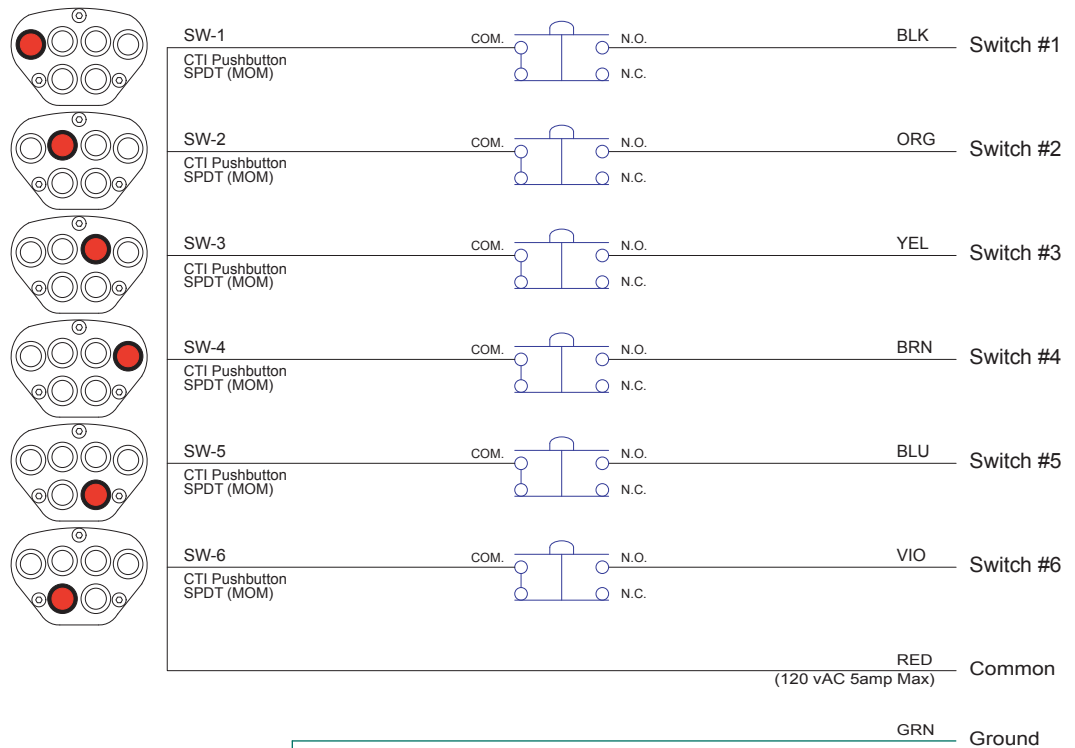
Control Unit Features:

Switches 1- 6: SPDT Mom Pushbutton Switch With Red Seal Caps
 Standard CTI Overlay
 10 Ft Cable
 1/2 NPT Mounting Thread With Locking Setscrew

General Information:

Control Handle Material: Aluminum
 Finish: Black Powder Coat
 Faceplate Material: Aluminum - 5052
 Overlay Material: Polycarbonate
 Temperature Range: -55°C to +85°C at rated current
 CTI Switch Life Cycles: 10,000,000
 Current Rating: 5 amps @ 120vAC

CTI PART# : CTI-2021280



CAUTION:
 Metal Handle **MUST** Be Grounded For Safe Operation!

Spare Replacment Components For Part # **CTI-2021280**

Handle Part #: **69-B92321-04**
 Faceplate: **65-A30323-07**
 Switches 1-6: **32-P-A60215-01**
 Seals 1- 6: **33-BPB-589**
 Cable Harness: **22-C-NQ-920-J-11**



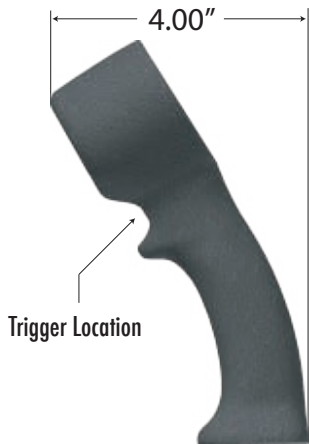
8901-RB HANDY-GRIP®

6 Pushbutton + Trigger w/Boots



Product shown without cable harness for clarity

GENERAL DIMENSIONS



Product shown without switches for clarity

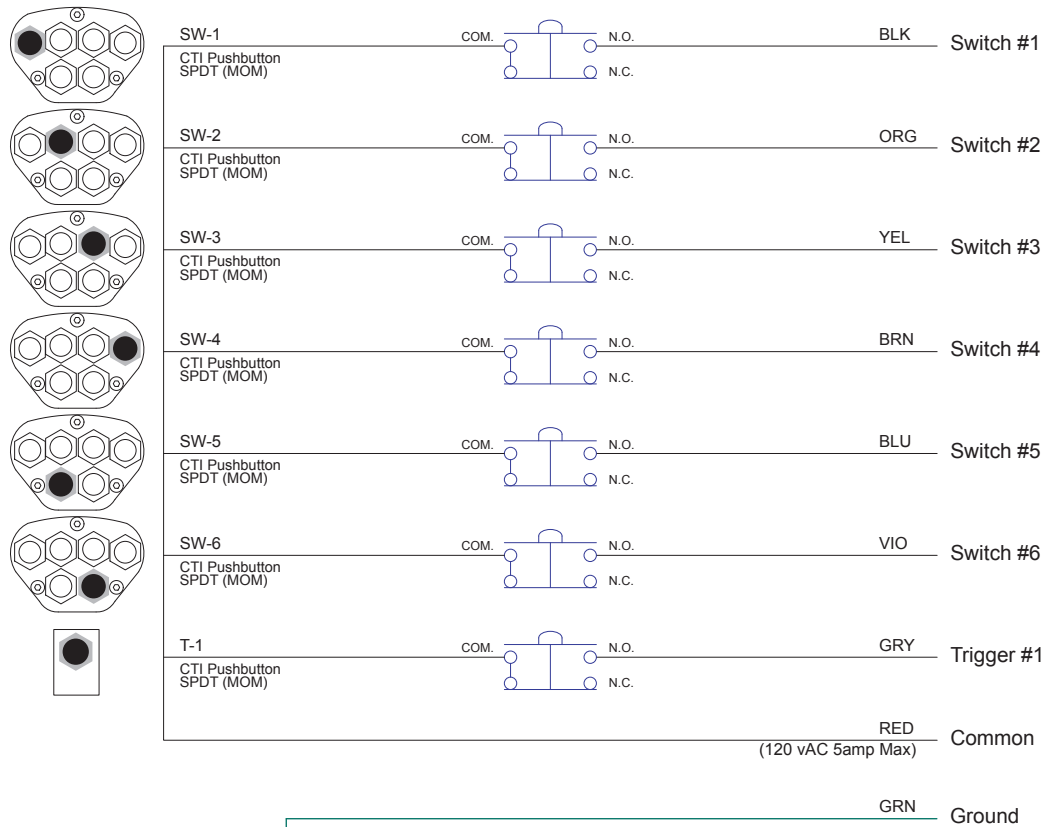
Control Unit Features:

Switches 1- 6: SPDT Mom Pushbutton Switch With Black/Chrome Seal Boots
 Trigger 1: SPDT Mom Pushbutton Switch With Black/Chrome Seal Boots
 Standard CTI Overlay
 10 Ft Cable
 1/2 NPT Mounting Thread With Locking Setscrew

General Information:

Control Handle Material: Aluminum
 Finish: Black Powder Coat
 Faceplate Material: Aluminum - 5052
 Overlay Material: Polycarbonate
 Temperature Range: -55°C to +85°C at rated current
 CTI Switch Life Cycles: 10,000,000
 Current Rating: 5 amps @ 120vAC

CTI PART# : CTI-2021279



CAUTION:
 Metal Handle MUST Be Grounded For Safe Operation!

Spare Replacment Components For Part # **CTI-2021279**

Handle Part #: **69-B92321-03**

Cable Harness: **22-C-NQ-920-J-11**

Faceplate: **65-A30323-07**

Switches 1-6: **32-P-A60215-01**

Seals 1- 6: **33-BPB-589**

Trigger 1 Switch: **32-P-A60215-01**

Trigger 1 Seal: **33-BPB-589**



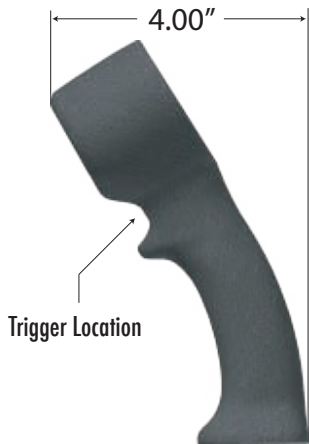
8901-RB HANDY-GRIP®

6 Pushbutton + Trigger w/Caps



Product shown without cable harness for clarity

GENERAL DIMENSIONS



Product shown without switches for clarity

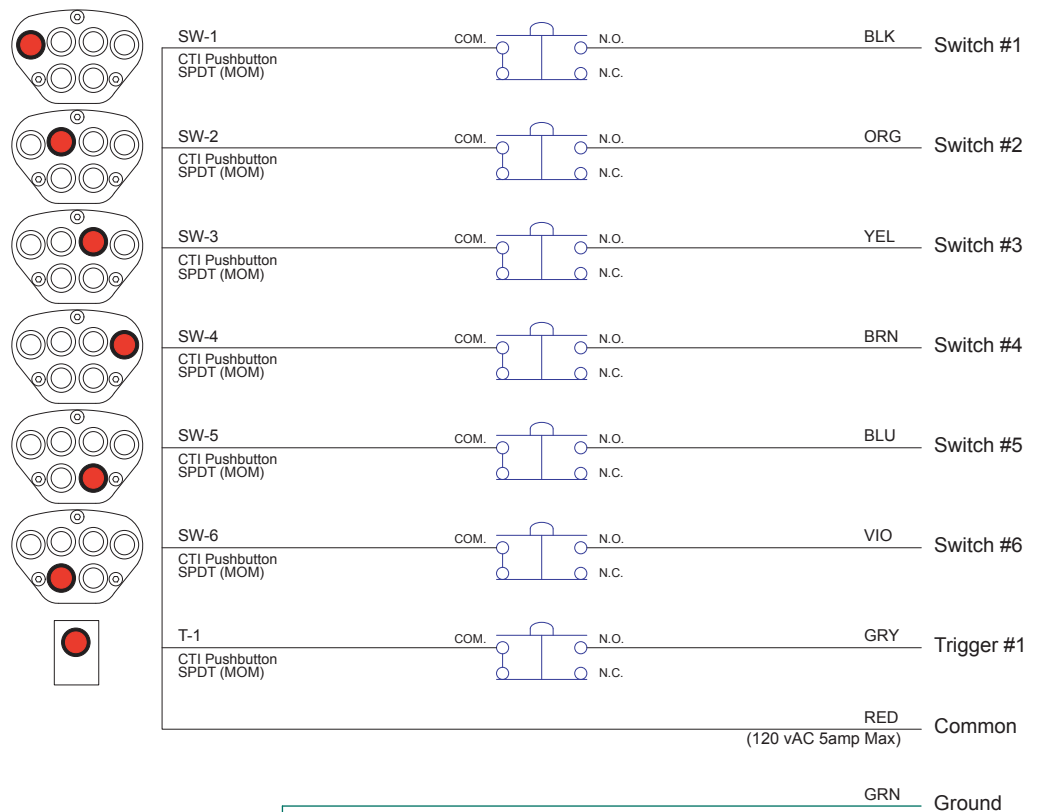
Control Unit Features:

- Switches 1- 6: SPDT Mom Pushbutton Switch With Red Seal Caps
- Trigger 1: SPDT Mom Pushbutton Switch With Red Seal Caps
- Standard CTI Overlay
- 10 Ft Cable
- 1/2 NPT Mounting Thread With Locking Setscrew

General Information:

- Control Handle Material: Aluminum
- Finish: Black Powder Coat
- Faceplate Material: Aluminum - 5052
- Overlay Material: Polycarbonate
- Temperature Range: -55°C to +85°C at rated current
- CTI Switch Life Cycles: 10,000,000
- Current Rating: 5 amps @ 120vAC

CTI PART# : CTI-2021281



CAUTION:
Metal Handle MUST Be Grounded For Safe Operation!

Spare Replacment Components For Part # **CTI-2021281**

Handle Part #: **69-B92321-03**

Cable Harness: **22-C-NQ-920-J-11**

Faceplate: **65-A30323-07**

Switches 1-6: **32-P-A60215-01**

Seals 1- 6: **76-010321-01**

Trigger 1 Switch: **32-P-A60215-01**

Trigger 1 Seal: **76-010321-01**



8901-RB HANDY-GRIP®

2 Rocker, 2 Pushbutton w/Caps



Control Unit Features:

Switches 1,4: SPDT Mom Pushbutton Switch With Red Seal Caps
 Switches 2,3: SPDT Mom Rocker Switch With Red Seal Caps
 Standard CTI Overlay
 10 Ft Cable
 1/2 NPT Mounting Thread With Locking Setscrew
 Diode Protected

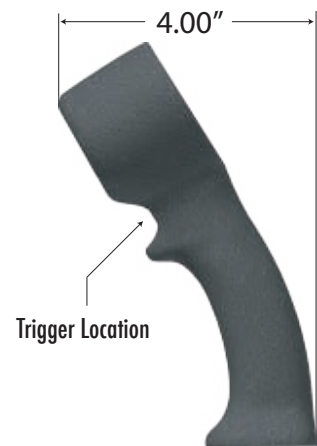
General Information:

Control Handle Material: Aluminum
 Finish: Black Powder Coat
 Faceplate Material: Aluminum - 5052
 Overlay Material: Polycarbonate
 Temperature Range: -55°C to +85°C at rated current
 CTI Switch Life Cycles: 10,000,000
 Current Rating: 5 amps @ 30vDC

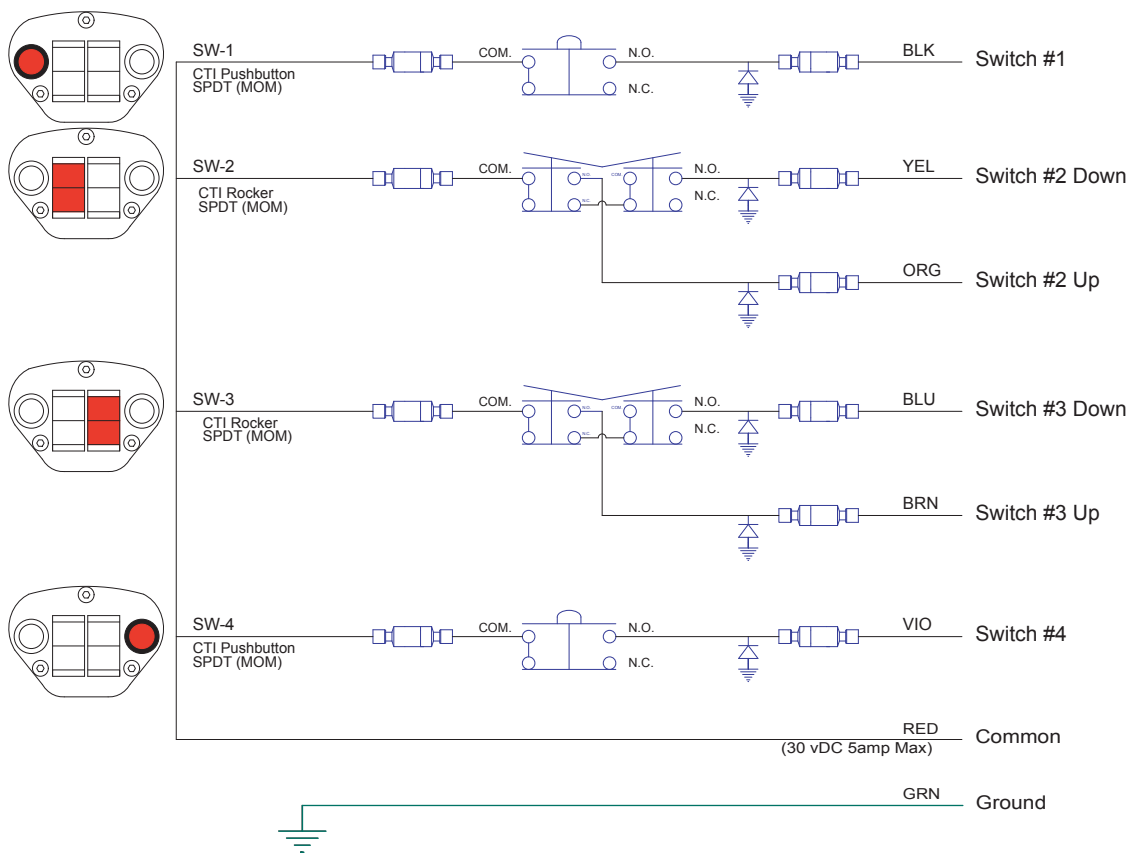
CTI PART# : CTI-2021289

Product shown without cable harness for clarity

GENERAL DIMENSIONS



Product shown without switches for clarity



CAUTION:
 Metal Handle **MUST** Be Grounded For Safe Operation!

Spare Replacment Components For Part # **CTI-2021289**

Handle Part #: **69-B92321-04**
 Faceplate: **65-A30323-11**
 Switches 1,4: **32-P-A91113-01**
 Seals 1,4: **76-010321-01**
 Switches 2,3: **32-R-920901-01**
 Seals 2,3: **76-010235-01**

Cable Harness: **76-CA-NQ920-2RKR2SW0T-10**



8901-RB HANDY-GRIP®

2 Rocker, 2 Pushbutton + Trigger w/Caps

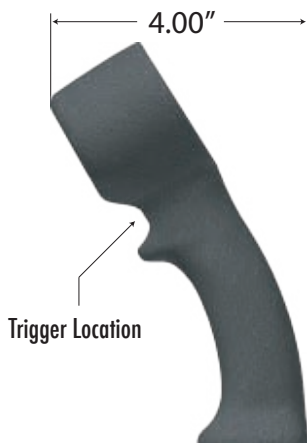


Product shown without cable harness for clarity

GENERAL DIMENSIONS



1/2 NPT
Mounting Thread



Product shown without switches for clarity

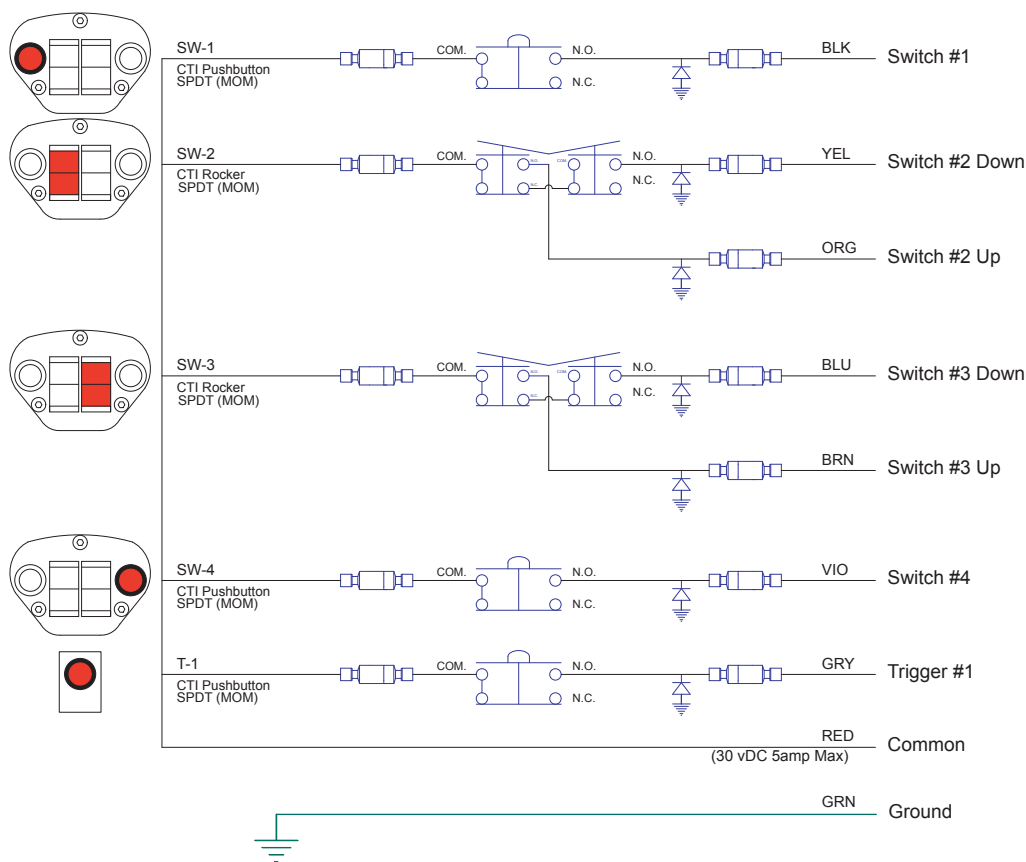
Control Unit Features:

Switches 1,4: SPDT Mom Pushbutton Switch With Red Seal Caps
 Switches 2,3: SPDT Mom Rocker Switch With Red Seal Caps
 Trigger 1: SPDT Mom Pushbutton Switch With Red Seal Cap
 Standard CTI Overlay
 10 Ft Cable
 1/2 NPT Mounting Thread With Locking Setscrew
 Diode Protected

General Information:

Control Handle Material: Aluminum
 Finish: Black Powder Coat
 Faceplate Material: Aluminum - 5052
 Overlay Material: Polycarbonate
 Temperature Range: -55°C to +85°C at rated current
 CTI Switch Life Cycles: 10,000,000
 Current Rating: 5 amps @ 30vDC

CTI PART# : CTI-2021290



CAUTION:
 Metal Handle **MUST** Be Grounded For Safe Operation!

Spare Replacment Components For Part # **CTI-2021290**

Handle Part #: **69-B92321-03**
 Faceplate: **65-A30323-11**
 Switches 1,4: **32-P-A91113-01**
 Seals 1,4: **76-010321-01**
 Switches 2,3: **32-R-920901-01**
 Seals 2,3: **76-010235-01**

Trigger 1 Switch: **32-P-A91113-01**
 Trigger 1 Seal: **76-010321-01**
 Cable Harness: **76-CA-NQ920-2RKR2SWIT-10**



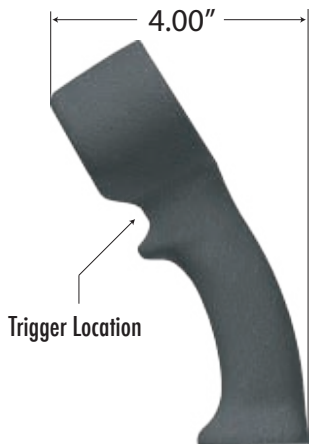
8901-RB HANDY-GRIP®

6 Pushbutton w/Boots



Product shown without cable harness for clarity

GENERAL DIMENSIONS



Product shown without switches for clarity

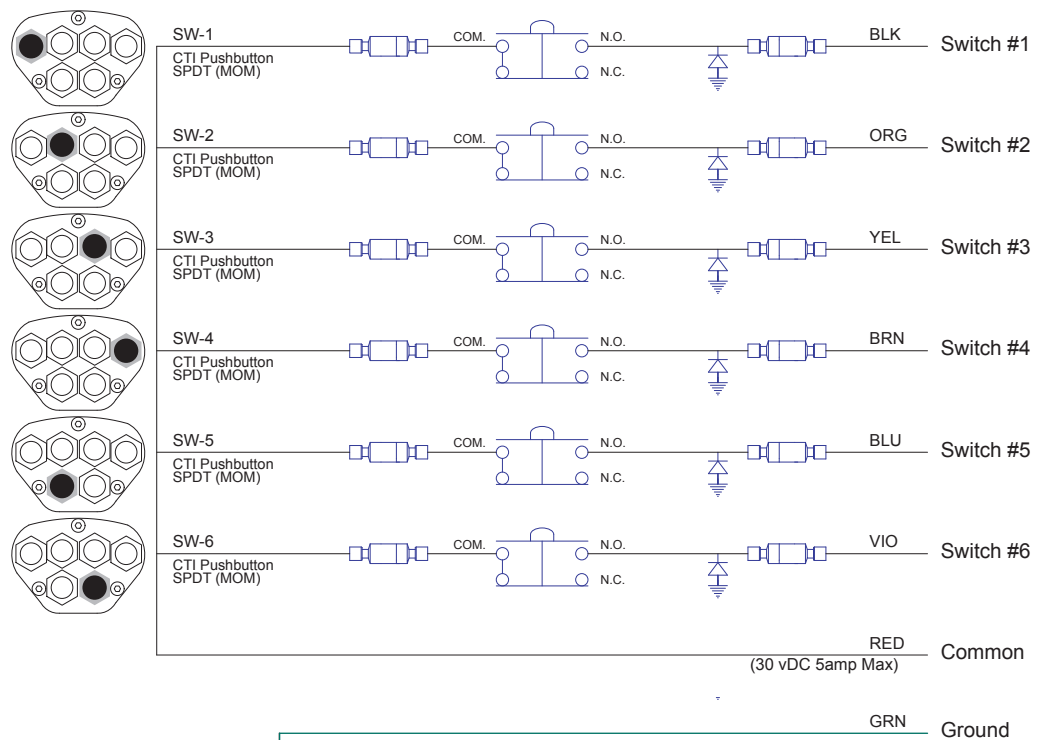
Control Unit Features:

Switches 1- 6: SPDT Mom Pushbutton Switch With Black/Chrome Seal Boots
 Standard CTI Overlay
 10 Ft Cable
 1/2 NPT Mounting Thread With Locking Setscrew
 Diode Protected

General Information:

Control Handle Material: Aluminum
 Finish: Black Powder Coat
 Faceplate Material: Aluminum - 5052
 Overlay Material: Polycarbonate
 Temperature Range: -55°C to +85°C at rated current
 CTI Switch Life Cycles: 10,000,000
 Current Rating: 5 amps @ 30vDC

CTI PART# : CTI-2021284



CAUTION:
 Metal Handle MUST Be Grounded For Safe Operation!

Spare Replacment Components For Part # **CTI-2021284**

Handle Part #: **69-B92321-04**
 Faceplate: **65-A30323-07**
 Switches 1-6: **32-P-A91113-01**
 Seals 1- 6: **33-BPB-589**
 Cable Harness: **76-CA-NQ920-6SW0T-10**



8901-RB HANDY-GRIP®

6 Pushbutton w/Caps



Product shown without cable harness for clarity

GENERAL DIMENSIONS



1/2 NPT
Mounting Thread



Trigger Location

Product shown without switches for clarity

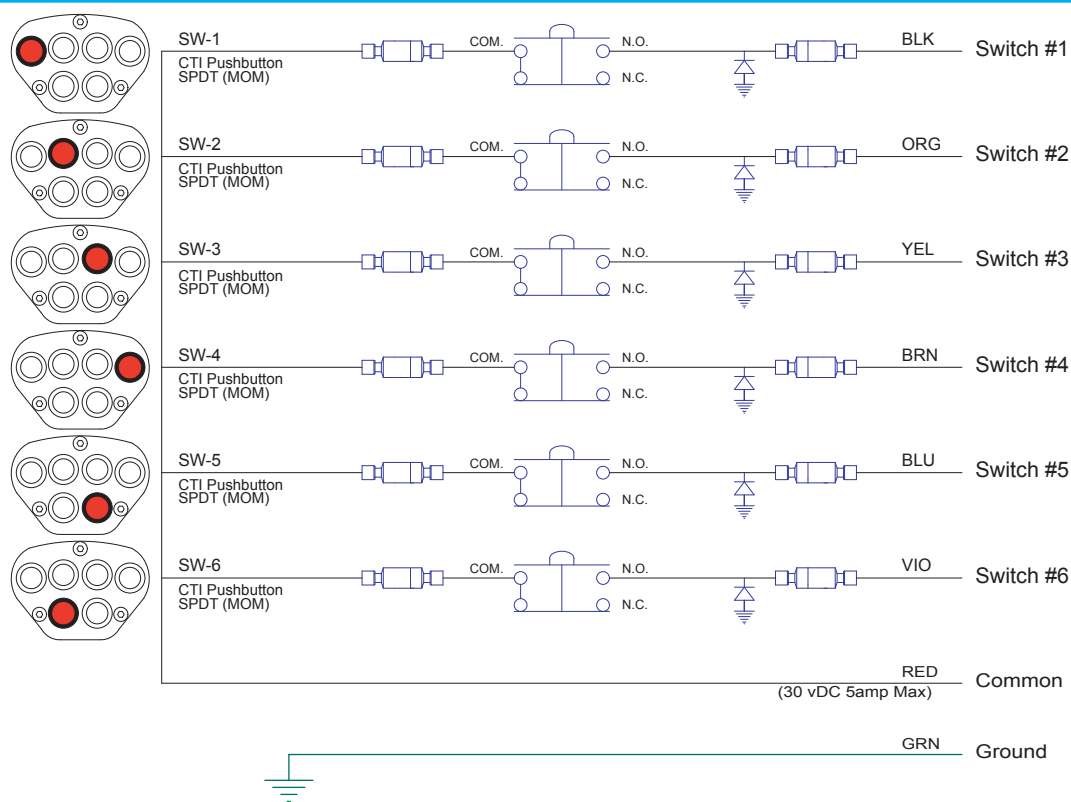
Control Unit Features:

Switches 1- 6: SPDT Mom Pushbutton Switch With Red Seal Caps
Standard CTI Overlay
10 Ft Cable
1/2 NPT Mounting Thread With Locking Setscrew
Diode Protected

General Information:

Control Handle Material: Aluminum
Finish: Black Powder Coat
Faceplate Material: Aluminum - 5052
Overlay Material: Polycarbonate
Temperature Range: -55°C to +85°C at rated current
CTI Switch Life Cycles: 10,000,000
Current Rating: 5 amps @ 30vDC

CTI PART# : CTI-2021286



CAUTION:
Metal Handle MUST Be Grounded For Safe Operation!

Spare Replacment Components For Part # **CTI-2021286**

Handle Part #: **69-B92321-04**
Faceplate: **65-A30323-07**
Switches 1-6: **32-P-A91113-01**
Seals 1- 6: **76-010321-01**
Cable Harness: **76-CA-NQ920-6SW0T-10**



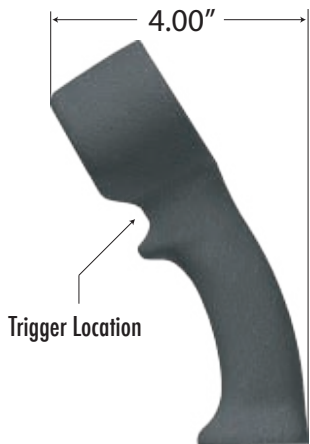
8901-RB HANDY-GRIP®

6 Pushbutton + Trigger w/Boots



Product shown without cable harness for clarity

GENERAL DIMENSIONS



Product shown without switches for clarity

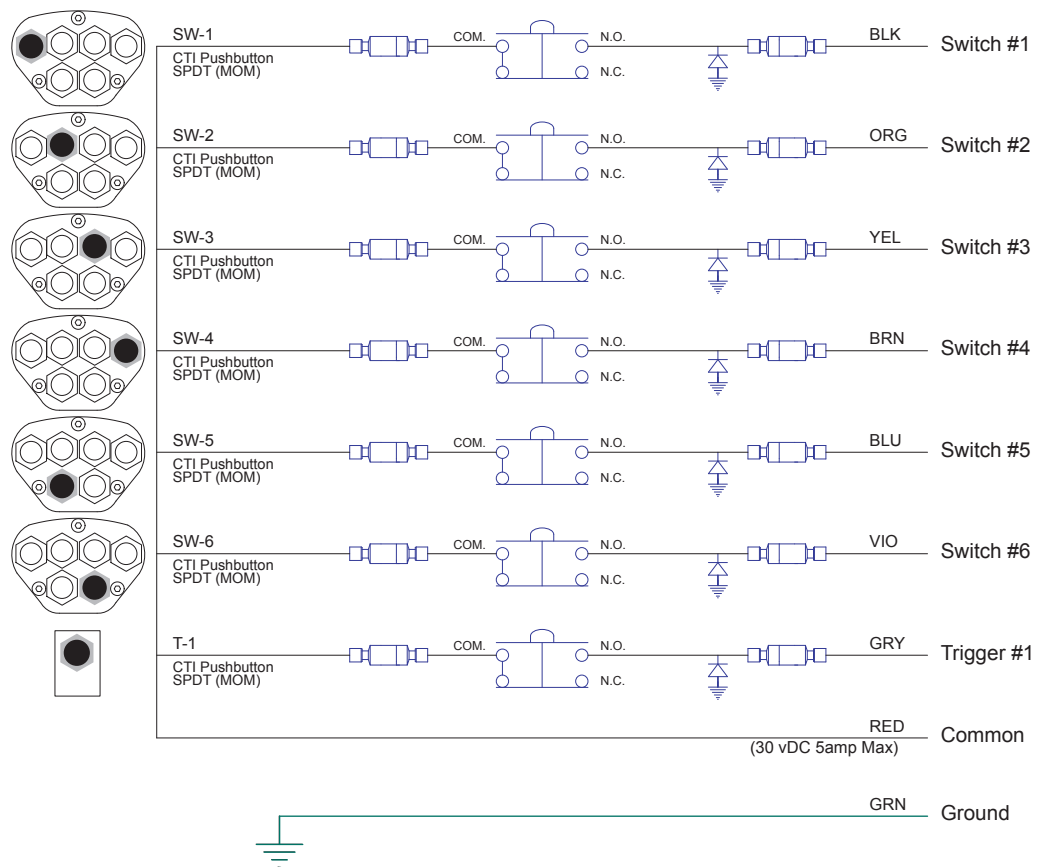
Control Unit Features:

Switches 1- 6: SPDT Mom Pushbutton Switch With Black/Chrome Seal Boots
 Trigger 1: SPDT Mom Pushbutton Switch With Black/Chrome Seal Boots
 Standard CTI Overlay
 10 Ft Cable
 1/2 NPT Mounting Thread With Locking Setscrew
 Diode Protected

General Information:

Control Handle Material: Aluminum
 Finish: Black Powder Coat
 Faceplate Material: Aluminum - 5052
 Overlay Material: Polycarbonate
 Temperature Range: -55°C to +85°C at rated current
 CTI Switch Life Cycles: 10,000,000
 Current Rating: 5 amps @ 30vDC

CTI PART# : CTI-2021285



CAUTION:
 Metal Handle **MUST** Be Grounded For Safe Operation!

Spare Replacment Components For Part # **CTI-2021285**

Handle Part #: **69-B92321-03**

Cable Harness: **76-CA-NQ920-6SWIT-10**

Faceplate: **65-A30323-07**

Switches 1-6: **32-P-A91113-01**

Seals 1- 6: **33-BPB-589**

Trigger 1 Switch: **32-P-A91113-01**

Trigger 1 Seal: **33-BPB-589**



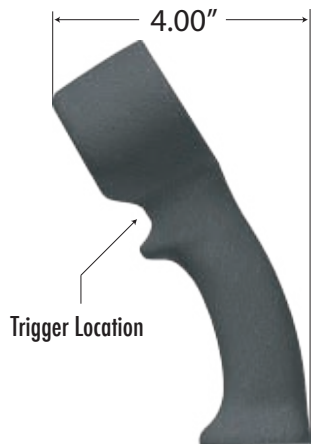
8901-RB HANDY-GRIP®

6 Pushbutton + Trigger w/Caps



Product shown without cable harness for clarity

GENERAL DIMENSIONS



Product shown without switches for clarity

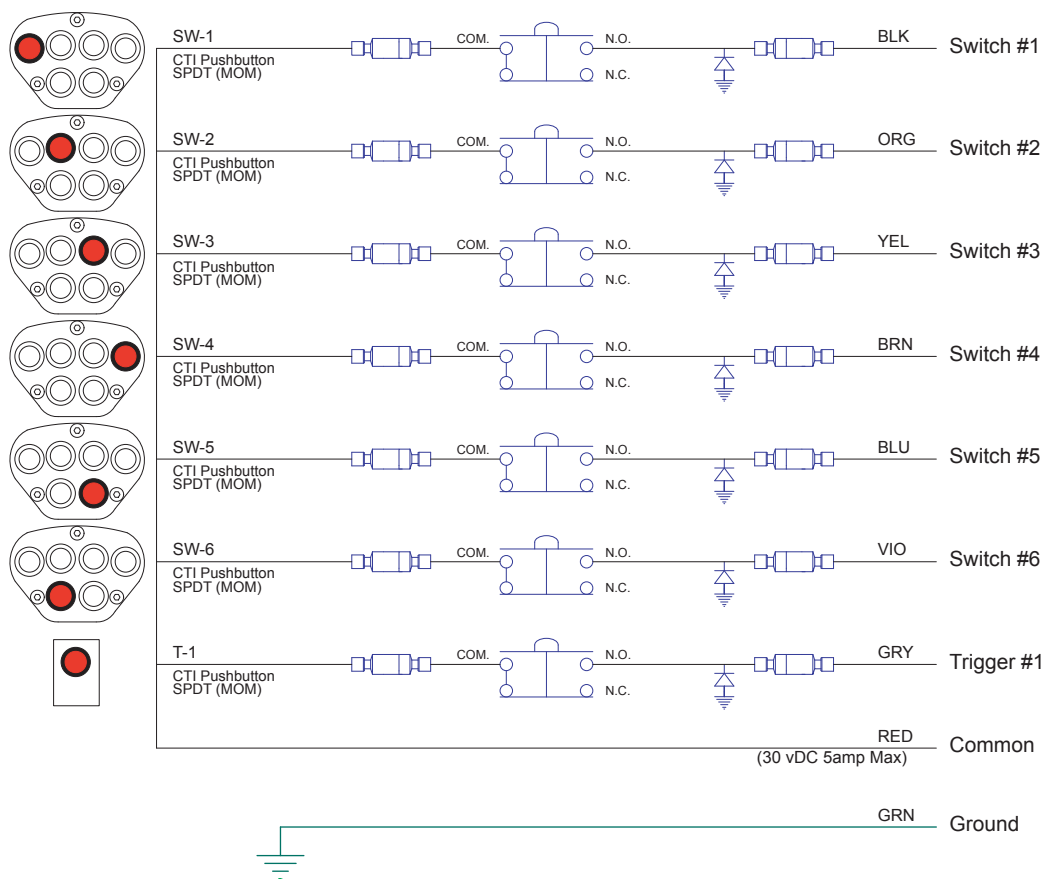
Control Unit Features:

Switches 1- 6: SPDT Mom Pushbutton Switch With Red Seal Caps
 Trigger 1: SPDT Mom Pushbutton Switch With Red Seal Cap
 Standard CTI Overlay
 10 Ft Cable
 1/2 NPT Mounting Thread With Locking Setscrew
 Diode Protected

General Information:

Control Handle Material: Aluminum
 Finish: Black Powder Coat
 Faceplate Material: Aluminum - 5052
 Overlay Material: Polycarbonate
 Temperature Range: -55°C to +85°C at rated current
 CTI Switch Life Cycles: 10,000,000
 Current Rating: 5 amps @ 30vDC

CTI PART# : CTI-2021288



CAUTION:
 Metal Handle **MUST** Be Grounded For Safe Operation!

Spare Replacment Components For Part # **CTI-2021288**

Handle Part #: **69-B92321-03**

Cable Harness: **76-CA-NQ920-6SW1T-10**

Faceplate: **65-A30323-07**

Switches 1-6: **32-P-A91113-01**

Seals 1- 6: **76-010321-01**

Trigger 1 Switch: **32-P-A91113-01**

Trigger 1 Seal: **76-010321-01**

