

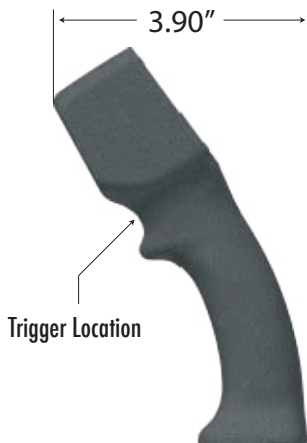
8701-RB HANDY-GRIP®

4 Pushbuttons w/Caps



Product shown without cable harness for clarity

GENERAL DIMENSIONS



Product shown without switches for clarity

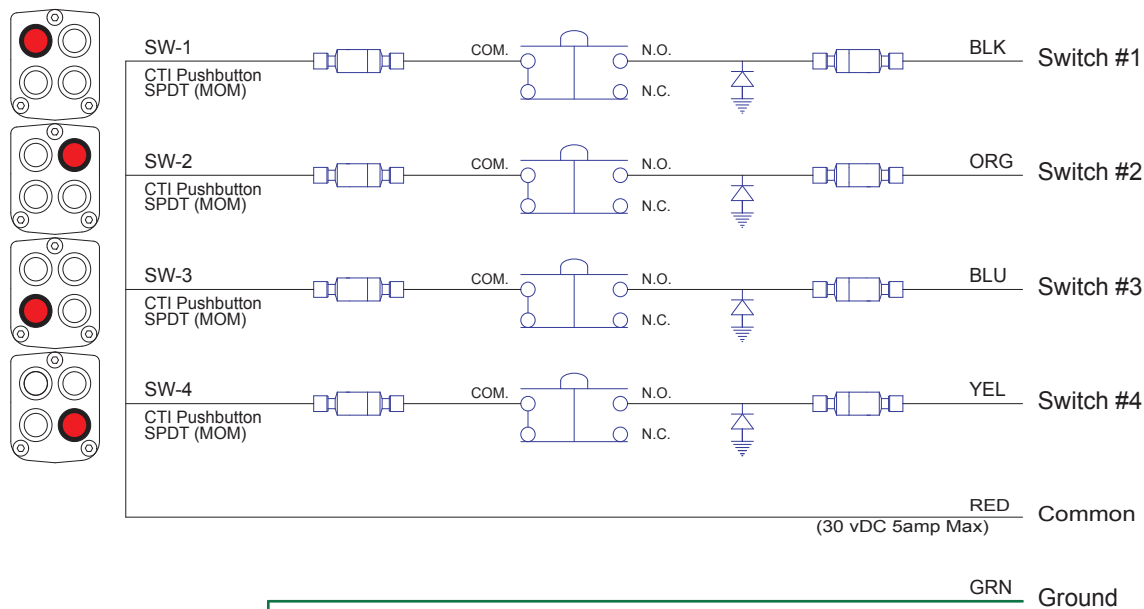
Control Unit Features:

Switches 1- 4: SPDT Mom Pushbutton Switch With Red Seal Caps
 Standard CTI Overlay
 10 Ft Cable
 1/2 NPT Mounting Thread With Locking Setscrew
Diode Protected

General Information:

Control Handle Material: Aluminum
 Finish: Black Powder Coat
 Faceplate Material: Aluminum - 5052
 Overlay Material: Polycarbonate
 Temperature Range: -55°C to +85°C at rated current
 CTI Switch Life Cycles: 10,000,000
 Current Rating: 5 amps @ 30vDC

CTI PART# : CTI-2021198



CAUTION:
 Metal Handle **MUST** Be Grounded For Safe Operation!

Spare Replacment Components for part # **CTI-2021198**

Handle Part #: **69-930660-04**
 Faceplate: **65-930661-06**
 Switches 1-4: **32-P-A91113-01**
 Seals 1- 4: **76-010321-01**
 Cable Harness: **76-CA-NQ720-4SW0T-10**

