

# 8701-RB HANDY-GRIP®

4 Pushbuttons + Trigger w/Boots

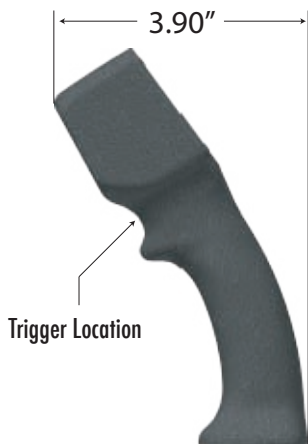


Product shown without cable harness for clarity

## GENERAL DIMENSIONS



1/2 NPT  
Mounting Thread



Product shown without switches for clarity

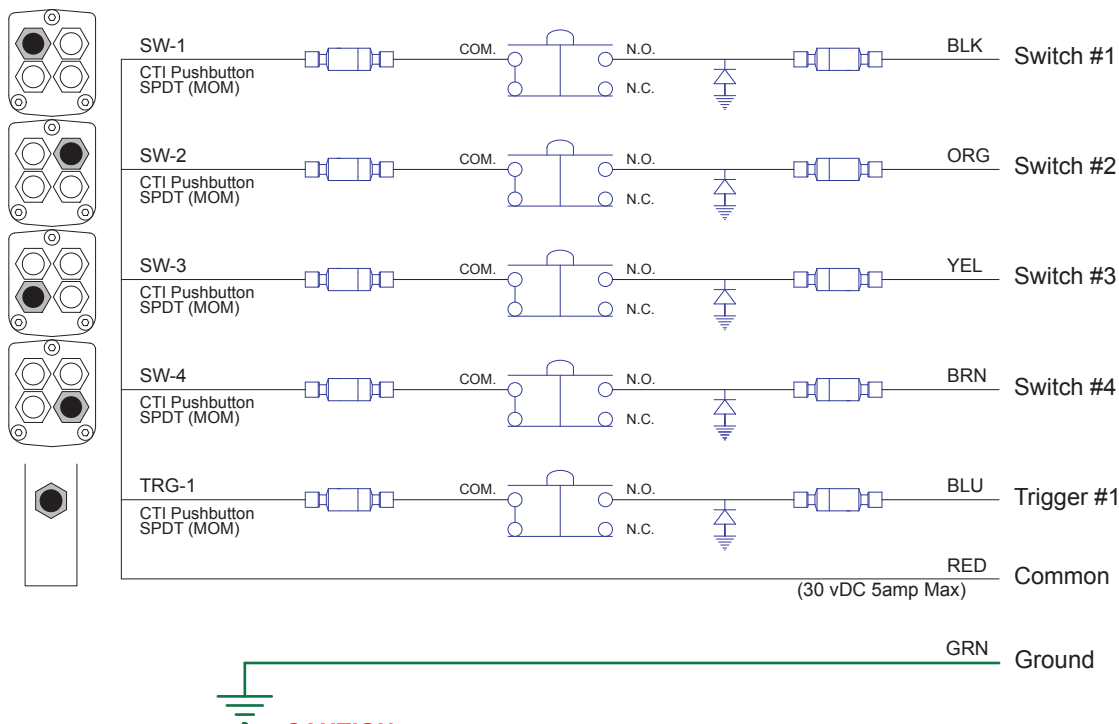
## Control Unit Features:

Switches 1-4: SPDT Mom Pushbutton Switch With Black/Chrome Seal Boots  
 Trigger 1: SPDT Mom Pushbutton Switch With Black/Chrome Seal Boots  
 Standard CTI Overlay  
 10 Ft Cable  
 1/2 NPT Mounting Thread With Locking Setscrew  
**Diode Protected**

## General Information:

Control Handle Material: Aluminum  
 Finish: Black Powder Coat  
 Faceplate Material: Aluminum - 5052  
 Overlay Material: Polycarbonate  
 Temperature Range: -55°C to +85°C at rated current  
 CTI Switch Life Cycles: 10,000,000  
 Current Rating: 5 amps @ 30vDC

**CTI PART# : CTI-2021199**



**CAUTION:**  
 Metal Handle **MUST** Be Grounded For Safe Operation!

Spare Replacment Components for part # **CTI-2021199**

Handle Part #: **69-930660-03**

Cable Harness: **76-CA-NQ720-4SW1T-10**

Faceplate: **65-930661-06**

Switches 1-4: **32-P-A91113-01**

Seals 1-4: **33-BPB-589**

Trigger Switch: **32-P-A91113-01**

Trigger Seal: **33-BPB-589**

