

8701-RB HANDY-GRIP®

2 Rocker + Trigger w/Caps

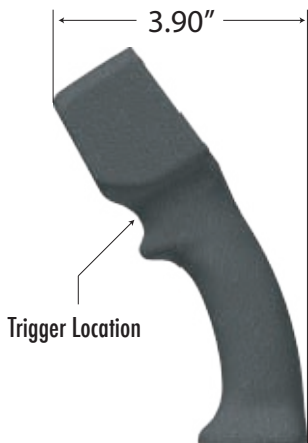


Product shown without cable harness for clarity

GENERAL DIMENSIONS



1/2 NPT
Mounting Thread



Product shown without switches for clarity

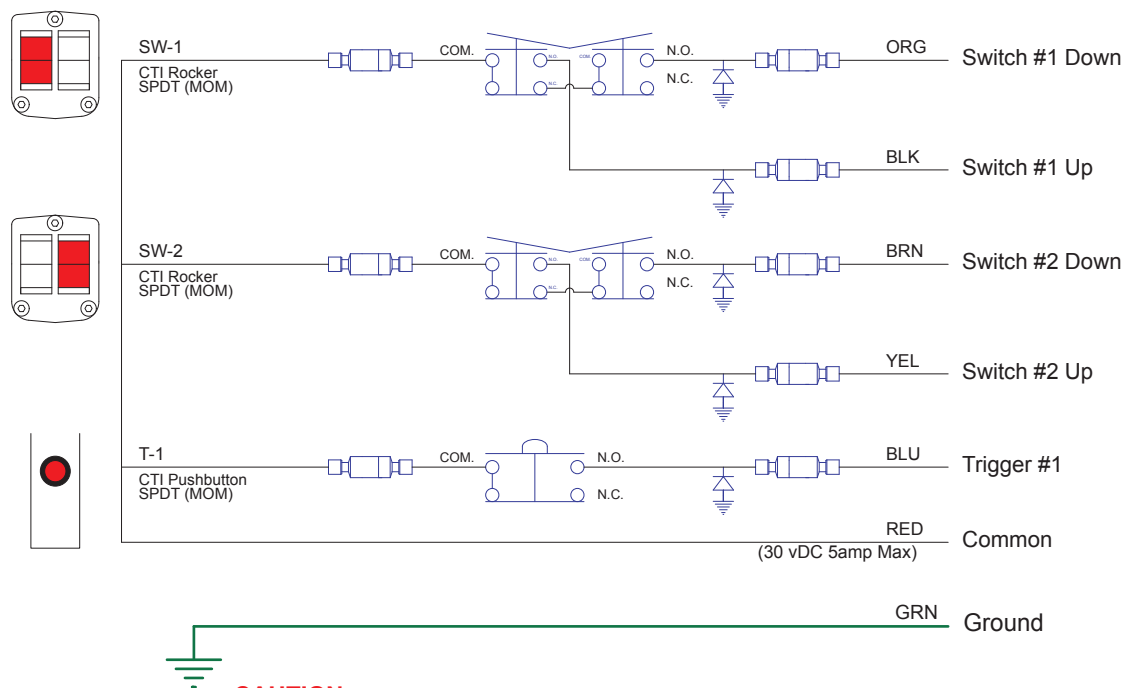
Control Unit Features:

Switches 1- 2: SPDT Mom Rocker Switch With Red Seal Caps
 Trigger 1- 2: SPDT Mom Pushbutton Switch With Red Seal Cap
 Standard CTI Overlay
 10 Ft Cable
 1/2 NPT Mounting Thread With Locking Setscrew
 Diode Protected

General Information:

Control Handle Material: Aluminum
 Finish: Black Powder Coat
 Faceplate Material: Aluminum - 5052
 Overlay Material: Polycarbonate
 Temperature Range: -55°C to +85°C at rated current
 CTI Switch Life Cycles: 10,000,000
 Current Rating: 5 amps @ 30vDC

CTI PART# : CTI-2021201



CAUTION:
 Metal Handle **MUST** Be Grounded For Safe Operation!

Spare Replacment Components for part # **CTI-2021201**

- Handle Part #: 69-930660-03
- Faceplate: 65-930661-09
- Switches 1-2: 32-R-920901-01
- Seals 1- 2: 76-010235-01
- Trigger Switch 1: 32-P-A91113-01
- Trigger Seal 1: 76-010321-01
- Cable Harness: 76-CA-NQ720-2RK1T-10

