

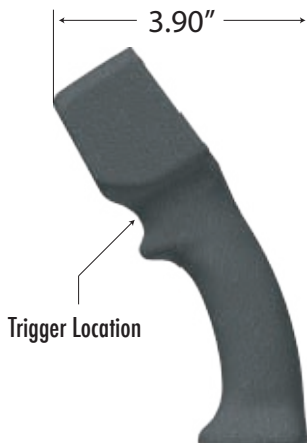
# 8701-RB HANDY-GRIP®

2 Rocker w/Caps



Product shown without cable harness for clarity

## GENERAL DIMENSIONS



Product shown without switches for clarity

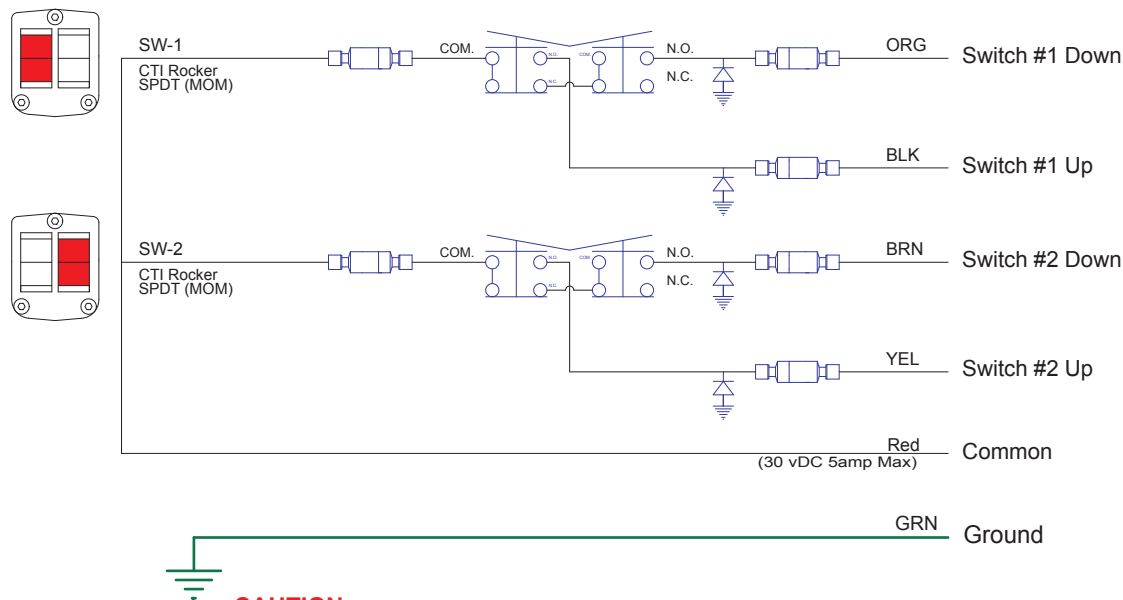
## Control Unit Features:

Switches 1- 2: SPDT Mom Rocker Switch With Red Seal Caps  
 Standard CTI Overlay  
 10 Ft Cable  
 1/2 NPT Mounting Thread With Locking Setscrew  
 Diode Protected

## General Information:

Control Handle Material: Aluminum  
 Finish: Black Powder Coat  
 Faceplate Material: Aluminum - 5052  
 Overlay Material: Polycarbonate  
 Temperature Range: -55°C to +85°C at rated current  
 CTI Switch Life Cycles: 10,000,000  
 Current Rating: 5 amps @ 30vDC

## CTI PART# : CTI-2021202



**CAUTION:**  
 Metal Handle MUST Be Grounded For Safe Operation!

## Spare Replacment Components for part # **CTI-2021202**

Handle Part #: **69-930660-04**  
 Faceplate: **65-930661-09**  
 Switches 1-2: **32-R-920901-01**  
 Seals 1- 2: **76-010235-01**  
 Cable Harness: **76-CA-NQ720-2RK0T-10**

