

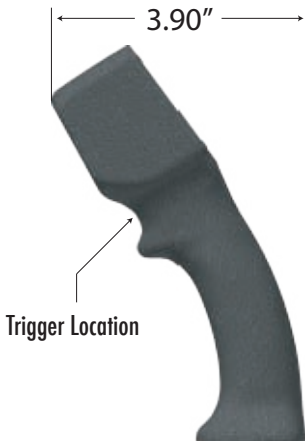
# 8701-RB HANDY-GRIP®

2 Rocker w/Caps



Product shown without cable harness for clarity

## GENERAL DIMENSIONS



Product shown without switches for clarity

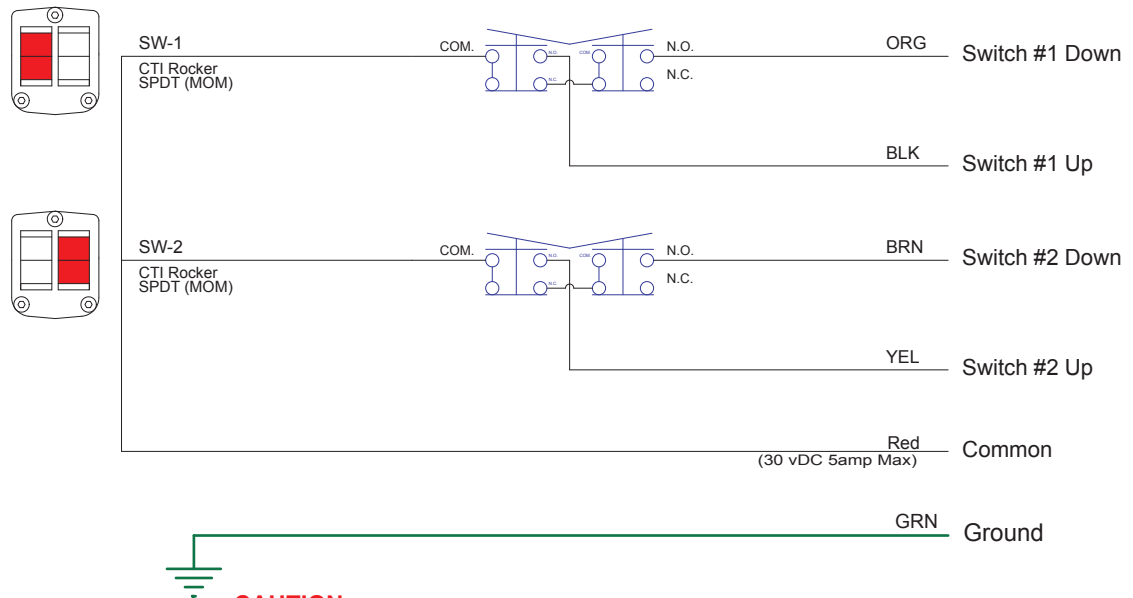
## Control Unit Features:

Switches 1- 2: SPDT Mom Rocker Switch With Red Seal Caps  
 Standard CTI Overlay  
 10 Ft Cable  
 1/2 NPT Mounting Thread With Locking Setscrew

## General Information:

Control Handle Material: Aluminum  
 Finish: Black Powder Coat  
 Faceplate Material: Aluminum - 5052  
 Overlay Material: Polycarbonate  
 Temperature Range: -55°C to +85°C at rated current  
 CTI Switch Life Cycles: 10,000,000  
 Current Rating: 5 amps @ 120vAC

## CTI PART# : CTI-2021210



**CAUTION:**  
 Metal Handle MUST Be Grounded For Safe Operation!

Spare Replacment Components for part # **CTI-2021210**

Handle Part #: 69-930660-04  
 Faceplate: 65-930661-09  
 Switches 1-2: 32-R-922190-01  
 Seals 1- 2: 76-010235-01  
 Cable Harness: 22-C-NQ720-J-11

