

1801-RB HANDY-GRIP

5 Pushbutton + 2 Stage Trigger w/Caps With MS Connector

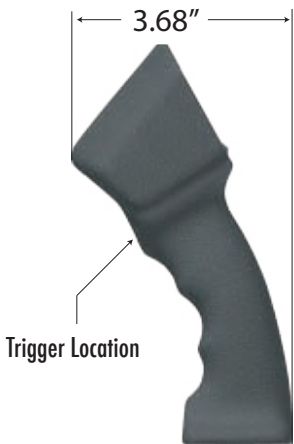


Product shown without cable harness for clarity

GENERAL DIMENSIONS



1/2 NPT
Mounting Thread



Product shown without switches for clarity

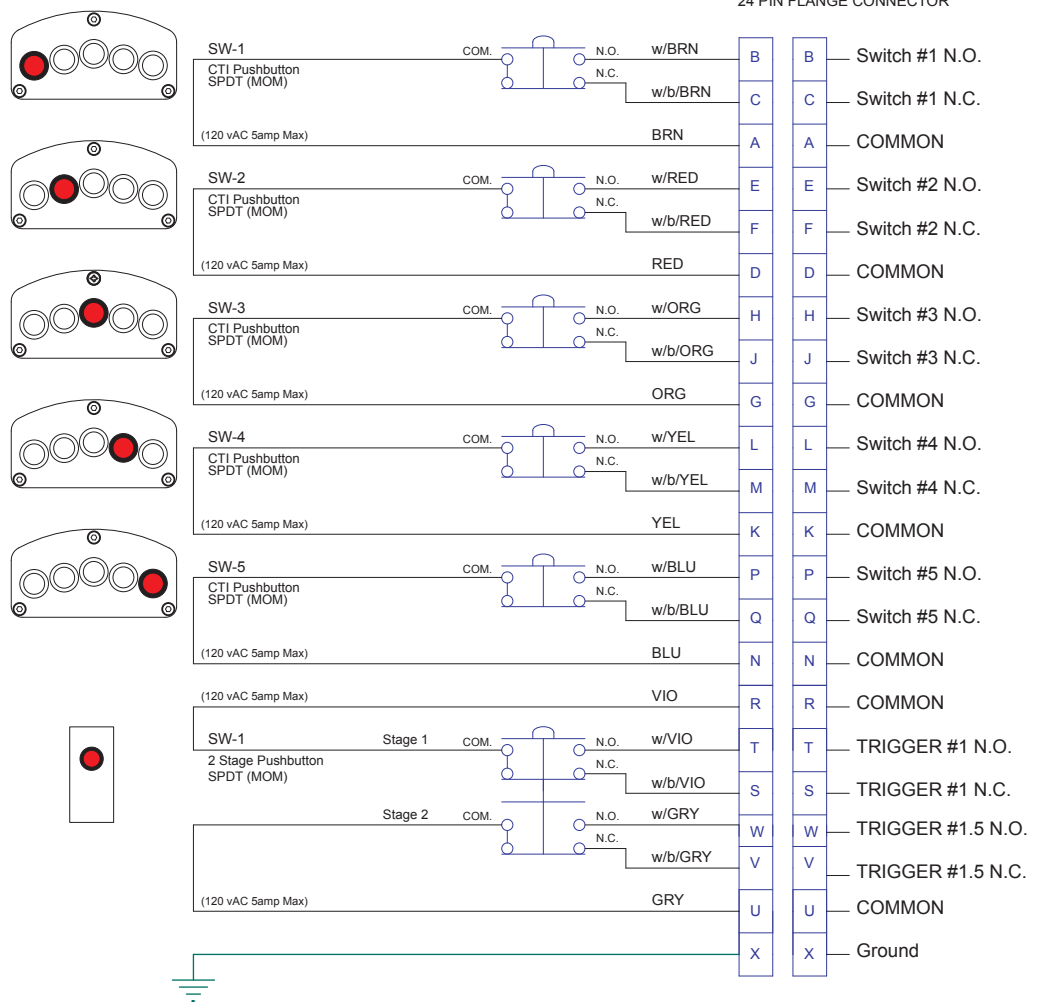
Control Unit Features:

Switches 1- 5: SPDT Mom Pushbutton Switch With Red Seal Caps
 Trigger 1: SPDT Mom 2 Stage Pushbutton Switch With Red Seal Caps
 Standard CTI Overlay
 1/2 NPT Mounting Thread With Locking Setscrew
 24 Pin MS Connector

General Information:

Control Handle Material: Aluminum
 Finish: Black Powder Coat
 Faceplate Material: Aluminum - 5052
 Overlay Material: Polycarbonate
 Temperature Range: -55°C to +85°C at rated current
 CTI Switch Life Cycles: 10,000,000
 Current Rating: 5 amps @ 120vAC

CTI PART# : CTI-2021230



CAUTION:
 Metal Handle **MUST** Be Grounded For Safe Operation!

Spare Replacment Components For Part # **CTI-2021230**

Handle Part #: **69-B020172-01**
 Faceplate: **65-A61931-05**
 Switches 1-5: **32-P-A60215-01**
 Seals 1- 5: **76-010321-01**

Trigger 1: **32-P-4-20002-01**
 Trigger 1 Seal: **N/A**
 Cable Harness: **22-C-NQ-2720-J-1**
 Connector: **28-MS-3102R24-28FP**

