

# 1801-RB HANDY-GRIP

5 Pushbutton + 2 Stage Trigger w/Boots + MS Connector

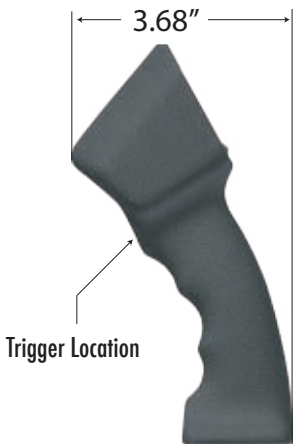


Product shown without cable harness for clarity

## GENERAL DIMENSIONS



1/2 NPT  
Mounting Thread



Product shown without switches for clarity

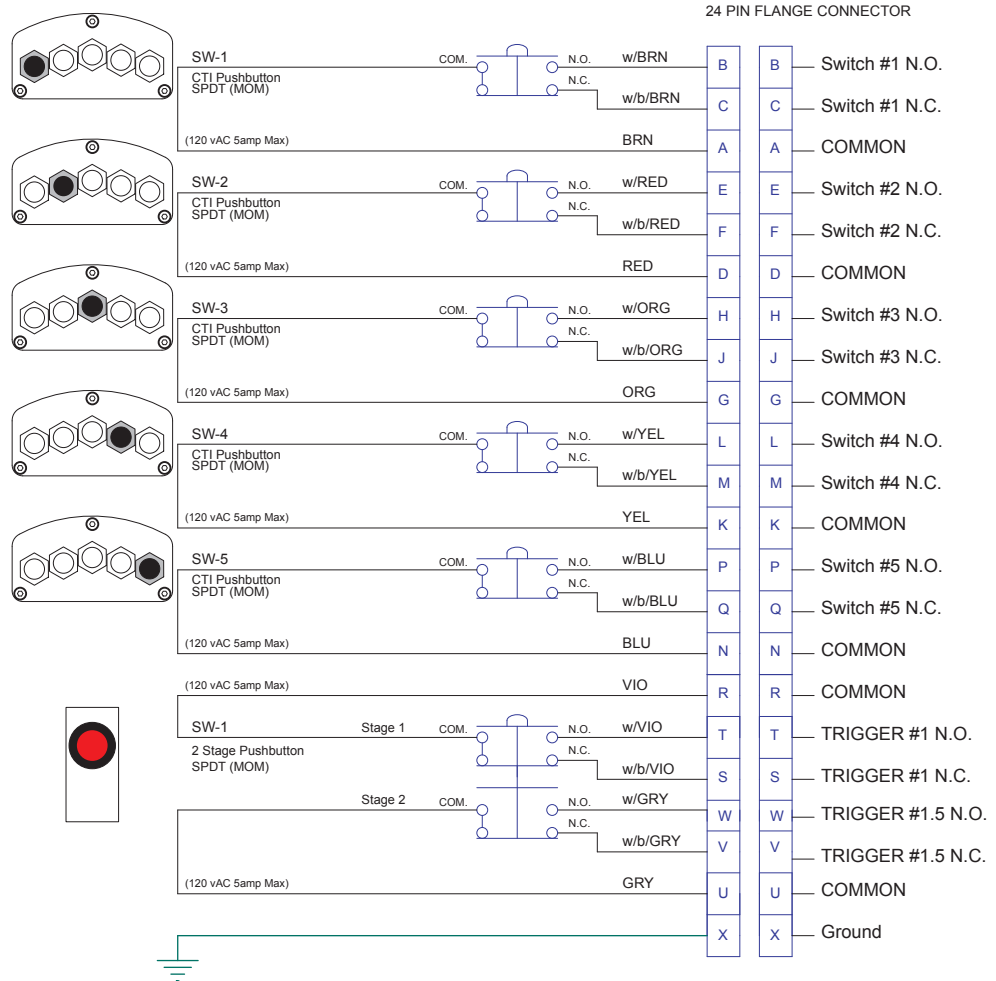
## Control Unit Features:

- Switches 1- 5: SPDT Mom Pushbutton Switch With Red Seal Caps
- Trigger 1: SPDT Mom 2 Stage Pushbutton Switch With Red Seal Caps
- Standard CTI Overlay
- 1/2 NPT Mounting Thread With Locking Setscrew
- 24 Pin MS Connector

## General Information:

- Control Handle Material: Aluminum
- Finish: Black Powder Coat
- Faceplate Material: Aluminum - 5052
- Overlay Material: Polycarbonate
- Temperature Range: -55°C to +85°C at rated current
- CTI Switch Life Cycles: 10,000,000
- Current Rating: 5 amps @ 120vAC

## CTI PART# : CTI-2021231



**CAUTION:**  
Metal Handle **MUST** Be Grounded For Safe Operation!

## Spare Replacment Components For Part # **CTI-2021231**

Handle Part #: **69-020172-01**  
Faceplate: **65-A61931-05**  
Switches 1-5: **32-P-A60215-01**  
Seals 1- 5: **33-BPB-589**

Trigger 1: **32-P-4-20002-01**  
Trigger 1 Seal: **N/A**  
Cable Harness: **22-C-NQ-2720-J-1**  
Connector: **28-MS-3102R24-28FP**

