

# 1801-RB HANDY-GRIP®

5 Pushbutton w/Caps

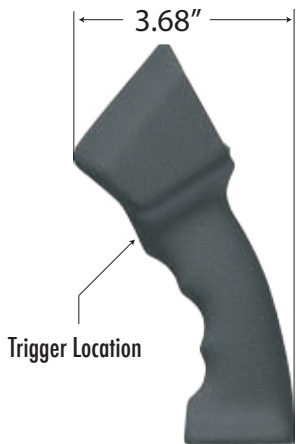


Product shown without cable harness for clarity

## GENERAL DIMENSIONS



1/2 NPT  
Mounting Thread



Product shown without switches for clarity

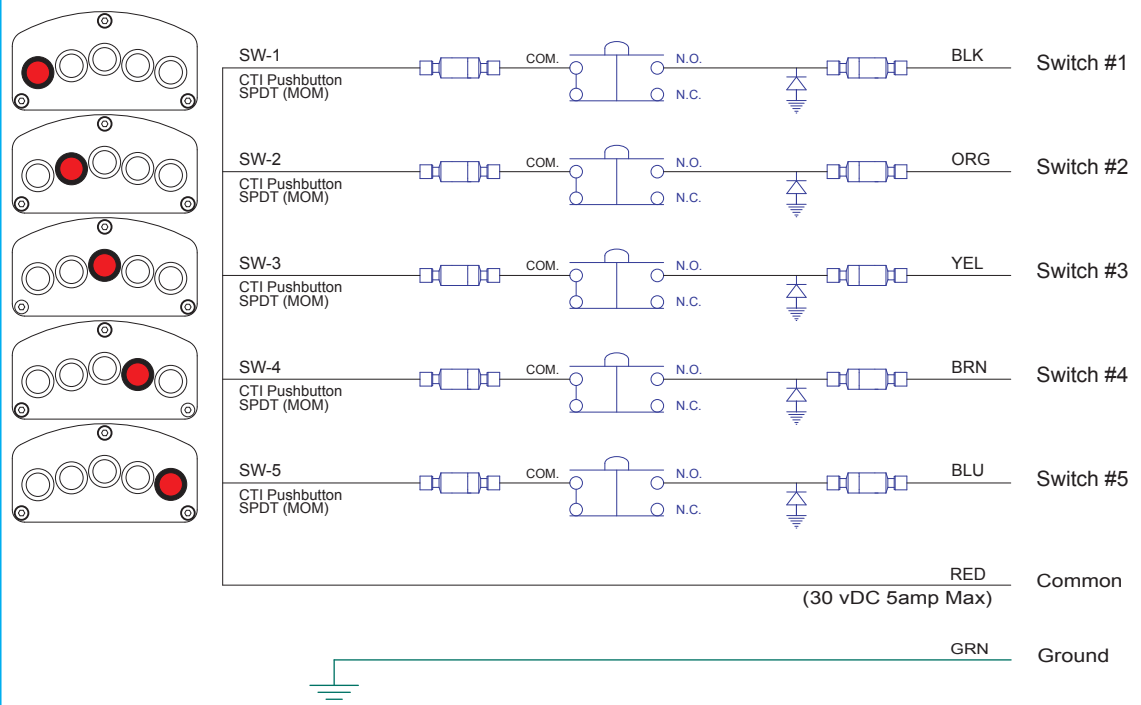
## Control Unit Features:

Switches 1- 5: SPDT Mom Pushbutton Switch With Red Seal Caps  
 Standard CTI Overlay  
 10 Ft Cable  
 1/2 NPT Mounting Thread With Locking Setscrew  
 Diode Protected

## General Information:

Control Handle Material: Aluminum  
 Finish: Black Powder Coat  
 Faceplate Material: Aluminum - 5052  
 Overlay Material: Polycarbonate  
 Temperature Range: -55°C to +85°C at rated current  
 CTI Switch Life Cycles: 10,000,000  
 Current Rating: 5 amps @ 30vDC

## CTI PART# : CTI-2021247



**CAUTION:**  
 Metal Handle **MUST** Be Grounded For Safe Operation!

## Spare Replacment Components For Part # **CTI-2021247**

Handle Part #: **69-B61931-01**  
 Faceplate: **65-A61931-05**  
 Switches 1-5: **32-P-A91113-01**  
 Seals 1- 5: **76-010321-01**  
 Cable Harness: **76-CA-NQ920-5SW0T-10**

