

1801-RB HANDY-GRIP®

5 Pushbutton + Trigger w/Caps

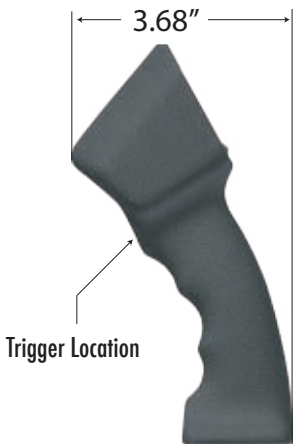


Product shown without cable harness for clarity

GENERAL DIMENSIONS



1/2 NPT
Mounting Thread



Product shown without switches for clarity

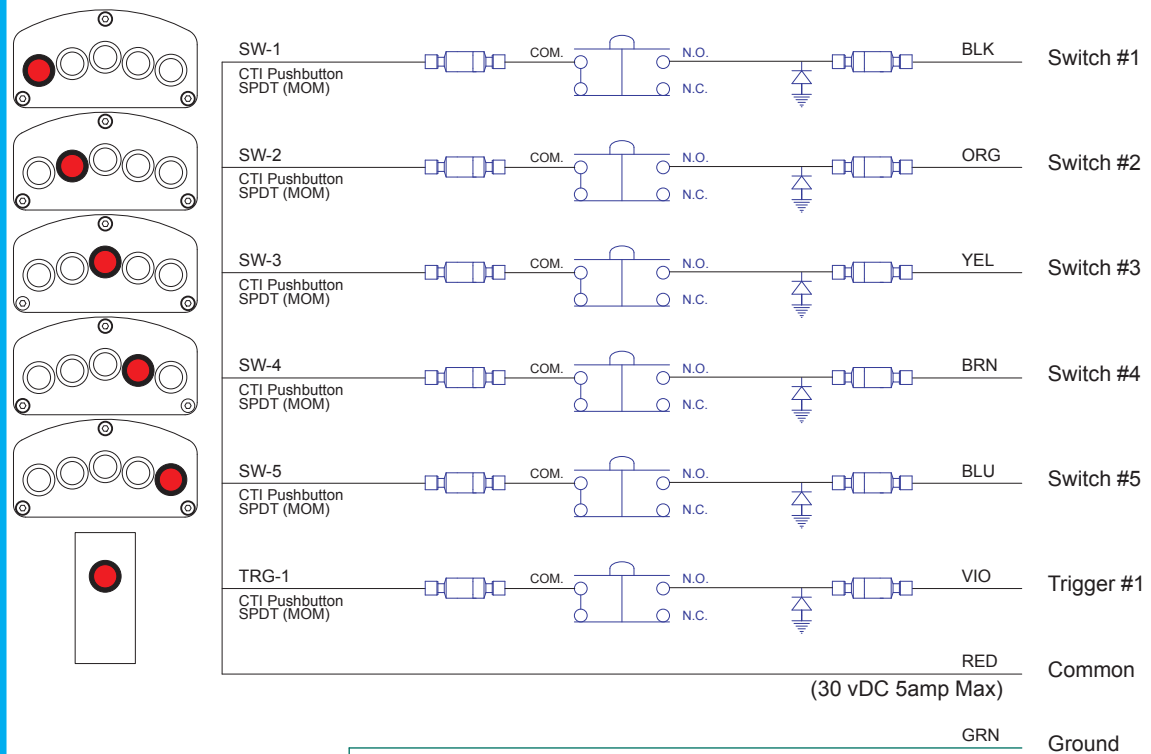
Control Unit Features:

Switches 1- 5: SPDT Mom Pushbutton Switch With Red Seal Caps
 Trigger 1: SPDT Mom Pushbutton Switch With Red Seal Caps
 Standard CTI Overlay
 10 Ft Cable
 1/2 NPT Mounting Thread With Locking Setscrew

General Information:

Control Handle Material: Aluminum
 Finish: Black Powder Coat
 Faceplate Material: Aluminum - 5052
 Overlay Material: Polycarbonate
 Temperature Range: -55°C to +85°C at rated current
 CTI Switch Life Cycles: 10,000,000
 Current Rating: 5 amps @ 30vDC

CTI PART# : CTI-2021248



CAUTION:
 Metal Handle MUST Be Grounded For Safe Operation!

Spare Replacment Components For Part # **CTI-2021248**

Handle Part #: **69-B61931-02**
 Faceplate: **65-A61931-05**
 Switches 1-5: **32-P-A91113-01**
 Seals 1- 5: **76-010321**
 Trigger 1: **32-P-A91113-01**
 Trigger 1 Seal: **76-010321**

Cable Harness: **76-CA-NQ920-5SW1T-10**

