

1801-RB HANDY-GRIP®

5 Pushbutton + 2 Stage Trigger w/Boots + MS Connector



Control Unit Features:

- Switches 1- 5: SPDT Mom Pushbutton Switch With Red Seal Caps
- Trigger 1: SPDT Mom 2 Stage Pushbutton Switch With Red Seal Caps
- Standard CTI Overlay
- 1/2 NPT Mounting Thread With Locking Setscrew
- 24 Pin MS Connector

General Information:

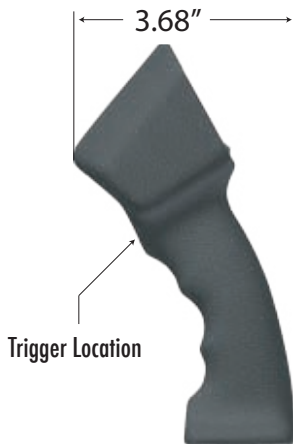
- Control Handle Material: Aluminum
- Finish: Black Powder Coat
- Faceplate Material: Aluminum - 5052
- Overlay Material: Polycarbonate
- Temperature Range: -55°C to +85°C at rated current
- CTI Switch Life Cycles: 10,000,000
- Current Rating: 5 amps @ 30vDC

Product shown without cable harness for clarity

GENERAL DIMENSIONS



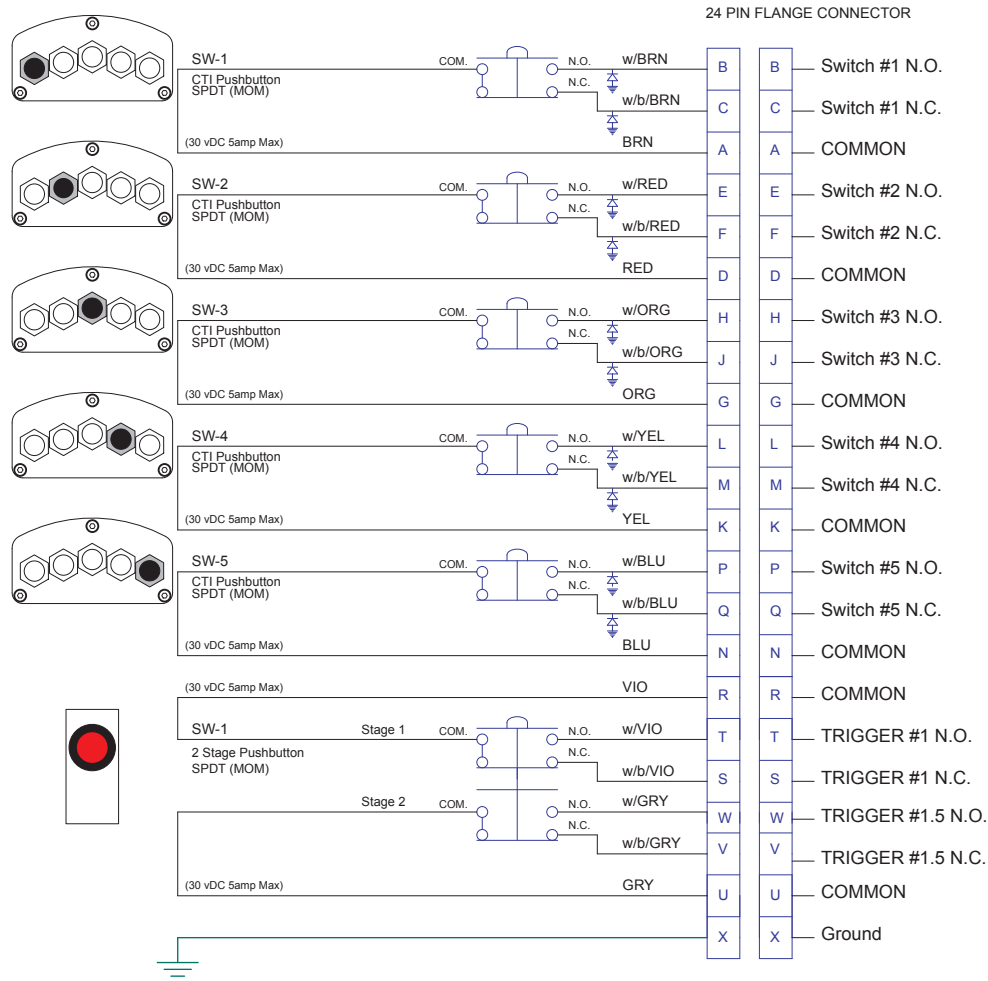
1/2 NPT
Mounting Thread



Trigger Location

Product shown without switches for clarity

CTI PART# : CTI-2021250



CAUTION:
Metal Handle **MUST** Be Grounded For Safe Operation!

Spare Replacment Components For Part # **CTI-2021250**

- Handle Part #: **69-070172-01**
- Faceplate: **65-A61931-05**
- Switches 1-5: **32-P-A92231-01**
- Seals 1- 5: **33-BPB-589**

- Trigger 1: **32-P-4-20002-01**
- Trigger 1 Seal: **N/A**
- Cable Harness: **22-C-NQ-2720-J-1**
- Connector: **28-MS-3102R24-28FP**

