

1201-RB HANDY-GRIP®

2 Rocker, 2 Pushbutton + Trigger w/Caps

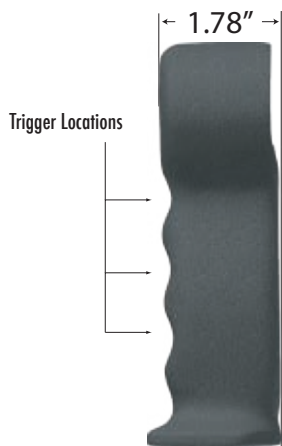


Product shown without cable harness for clarity

GENERAL DIMENSIONS



1/2 NPT
Mounting Thread



Product shown without switches for clarity

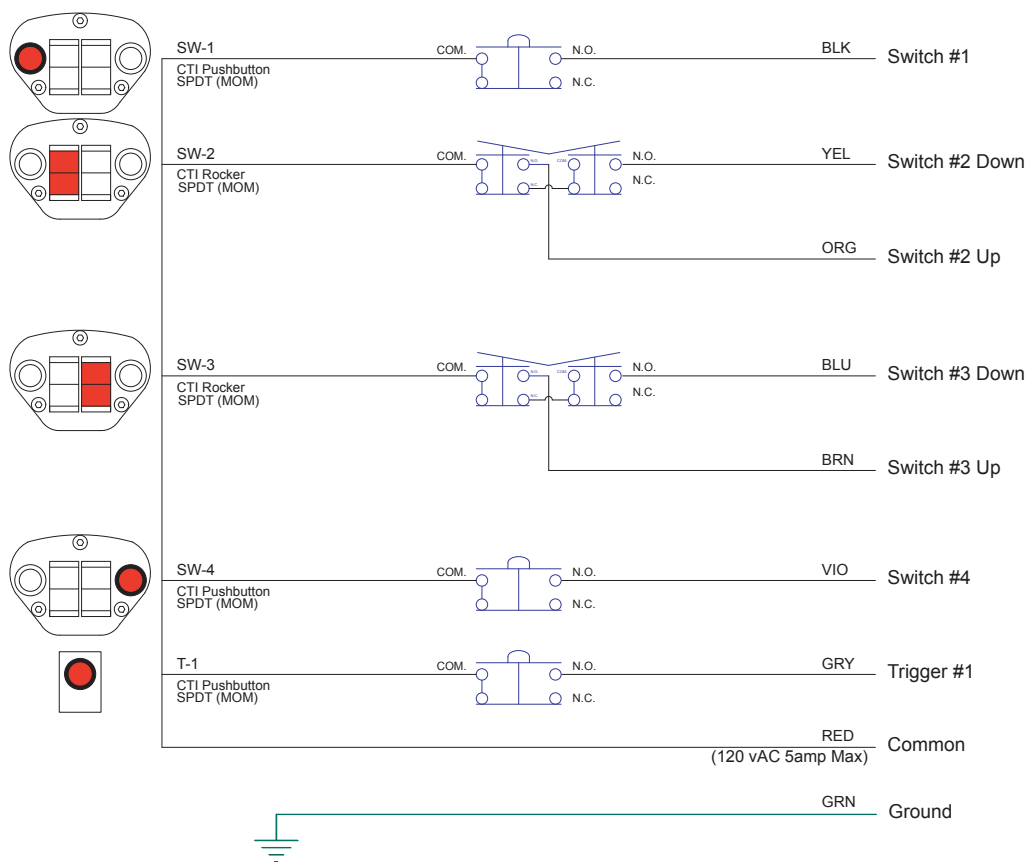
Control Unit Features:

Switches 1,4: SPDT Mom Pushbutton Switch With Red Seal Caps
 Switches 2,3: SPDT Mom Rocker Switch With Red Seal Caps
 Trigger 1: SPDT Mom Pushbutton Switch With Red Seal Cap
 Standard CTI Overlay
 10 Ft Cable
 1/2 NPT Mounting Thread With Locking Setscrew

General Information:

Control Handle Material: Aluminum
 Finish: Black Powder Coat
 Faceplate Material: Aluminum - 5052
 Overlay Material: Polycarbonate
 Temperature Range: -55°C to +85°C at rated current
 CTI Switch Life Cycles: 10,000,000
 Current Rating: 5 amps @ 120vAC

CTI PART# : CTI-2021260



CAUTION:
 Metal Handle MUST Be Grounded For Safe Operation!

Spare Replacment Components For Part # **CTI-2021260**

Handle Part #: **69-960104-01**
 Faceplate: **65-A30323-11**
 Switches 1,4: **32-P-A60215-01**
 Seals 1,4: **76-010321-01**
 Switches 2,3: **32-R-922190-01**
 Seals 2,3: **76-010235-01**

Trigger 1 Switch: **32-P-A60215-01**
 Trigger 1 Seal: **76-010321-01**
 Cable Harness: **22-C-NQ920-J-11**

