

1201-RB HANDY-GRIP

2 Rocker, 2 Pushbutton + 2 Triggers w/Caps

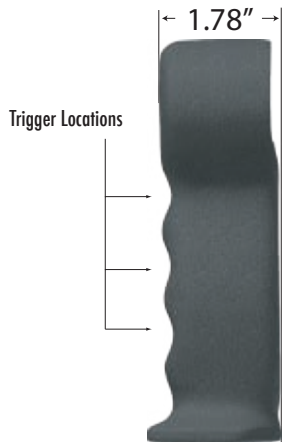


Product shown without cable harness for clarity

GENERAL DIMENSIONS



1/2 NPT
Mounting Thread



Product shown without switches for clarity

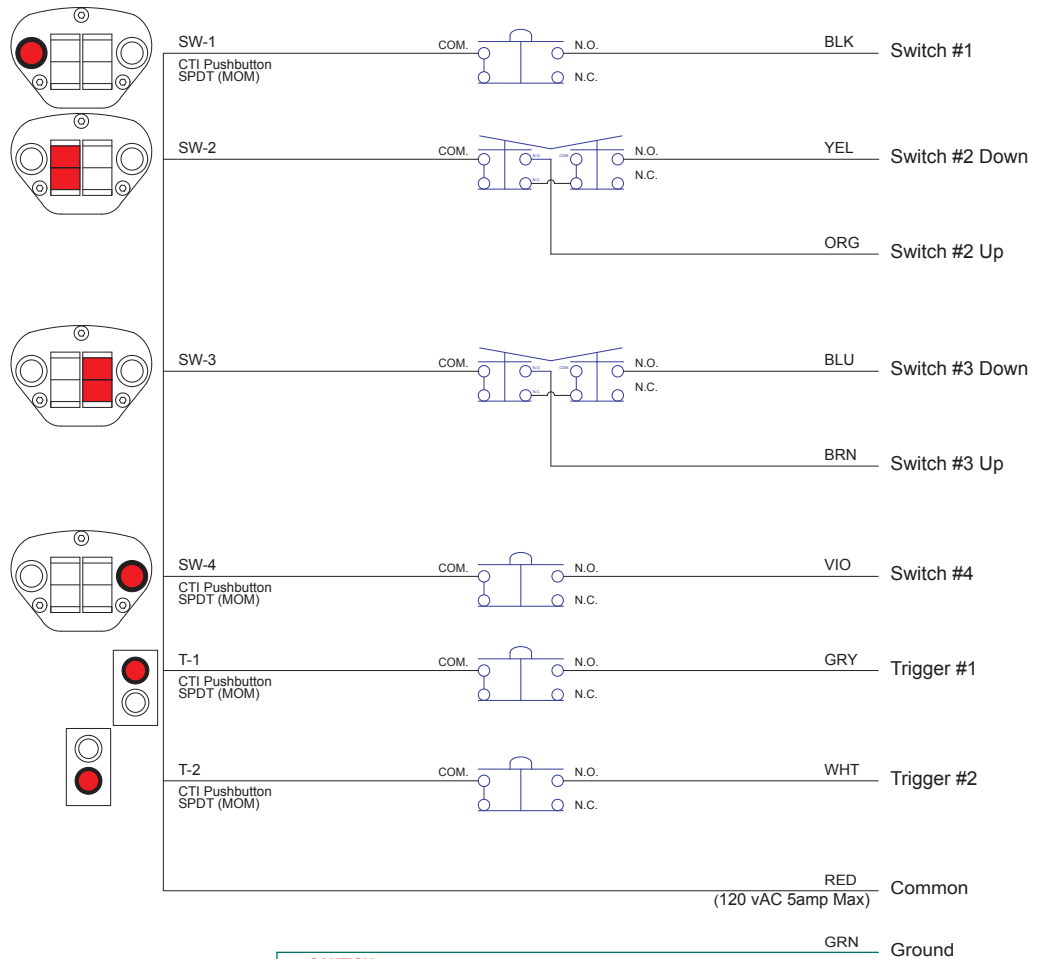
Control Unit Features:

Switches 1,4: SPDT Mom Pushbutton Switch With Red Seal Caps
 Switches 2,3: SPDT Mom Rocker Switch With Red Seal Caps
 Triggers 1-2: SPDT Mom Pushbutton Switch With Red Seal Cap
 Standard CTI Overlay
 10 Ft Cable
 1/2 NPT Mounting Thread With Locking Setscrew

General Information:

Control Handle Material: Aluminum
 Finish: Black Powder Coat
 Faceplate Material: Aluminum - 5052
 Overlay Material: Polycarbonate
 Temperature Range: -55°C to +85°C at rated current
 CTI Switch Life Cycles: 10,000,000
 Current Rating: 5 amps @ 120vAC

CTI PART# : CTI-2021261



CAUTION:
 Metal Handle **MUST** Be Grounded For Safe Operation!

Spare Replacement Components For Part # **CTI-2021261**

Handle Part #: **69-960105-01**
 Faceplate: **65-A30323-11**
 Switches 1,4: **32-P-A60215-01**
 Seals 1,4: **76-010321-01**
 Switches 2,3: **32-R-922190-01**
 Seals 2,3: **76-010235-01**

Triggers 1-2: **32-P-A60215-01**
 Trigger Seals 1-2: **76-010235-01**
 Cable Harness: **22-C-NQ1020-11**

Document Date: 05-12-2005

