

# 1201-RB HANDY-GRIP®

2 Rocker, 2 Pushbutton + 3 Trigger w/Caps

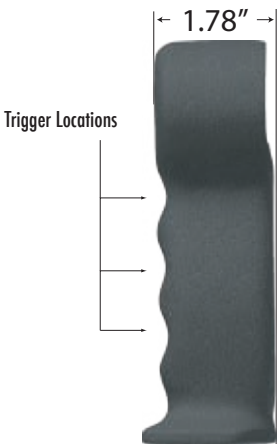


Product shown without cable harness for clarity

## GENERAL DIMENSIONS



1/2 NPT  
Mounting Thread



Product shown without switches for clarity

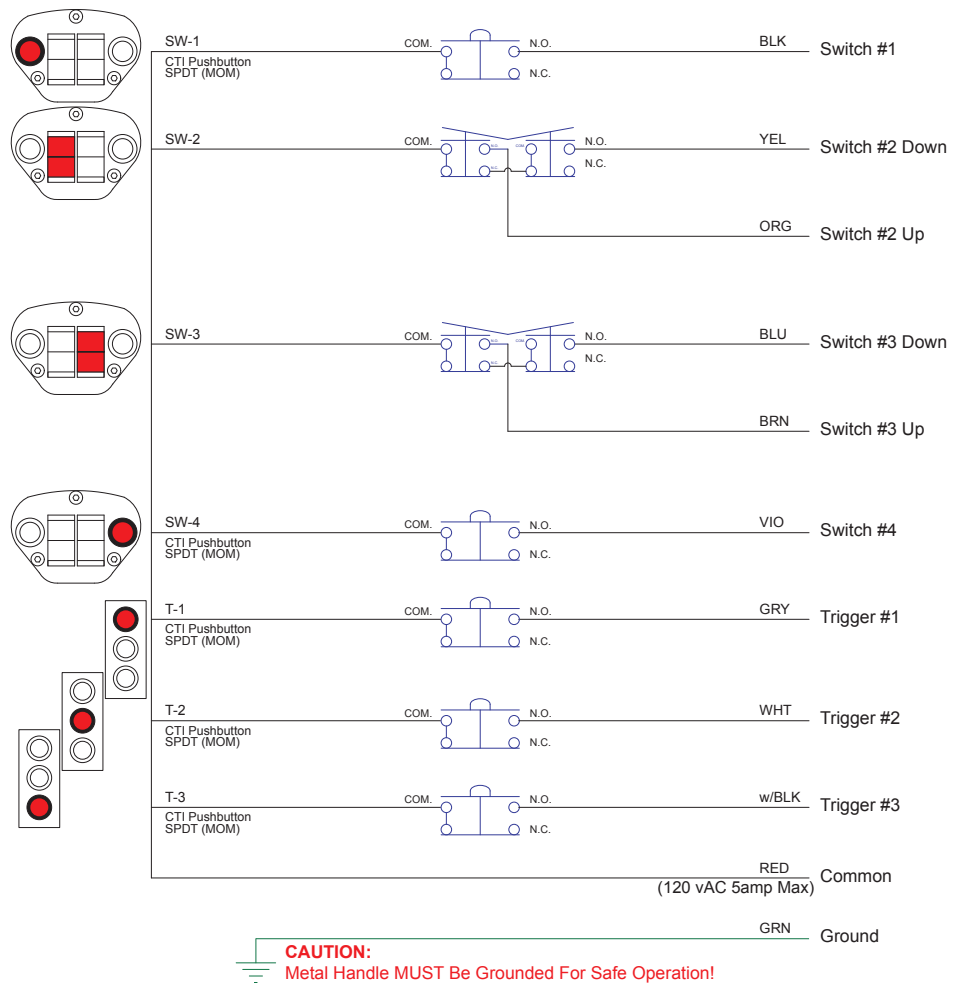
## Control Unit Features:

- Switches 1,4: SPDT Mom Pushbutton Switch With Red Seal Caps
- Switches 2,3: SPDT Mom Rocker Switch With Red Seal Caps
- Trigger 1-3: SPDT Mom Pushbutton Switch With Red Seal Cap
- Standard CTI Overlay
- 10 Ft Cable
- 1/2 NPT Mounting Thread With Locking Setscrew

## General Information:

- Control Handle Material: Aluminum
- Finish: Black Powder Coat
- Faceplate Material: Aluminum - 5052
- Overlay Material: Polycarbonate
- Temperature Range: -55°C to +85°C at rated current
- CTI Switch Life Cycles: 10,000,000
- Current Rating: 5 amps @ 120vAC

## CTI PART# : CTI-2021262



## Spare Replacment Components For Part # **CTI-2021262**

- Handle Part #: **69-960106-01**
- Faceplate: **65-A30323-11**
- Switches 1,4: **32-P-A960215-01**
- Seals 1,4: **76-010321-01**
- Switches 2,3: **32-R-922190-01**

- Seals 2,3: **76-010235-01**
- Trigger 1-3 Switch: **32-P-A60215-01**
- Trigger 1-3 Seal: **76-010321-01**
- Cable Harness: **76-CA-NQ1520-J-11**

