

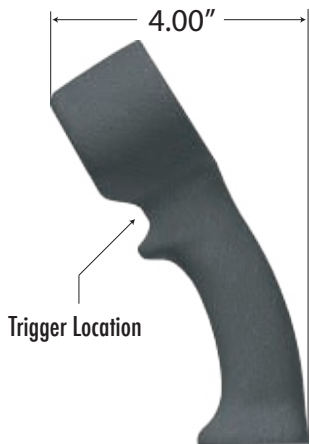
8901-RB HANDY-GRIP®

2 Rocker, 2 Pushbutton w/Caps



Product shown without cable harness for clarity

GENERAL DIMENSIONS



Product shown without switches for clarity

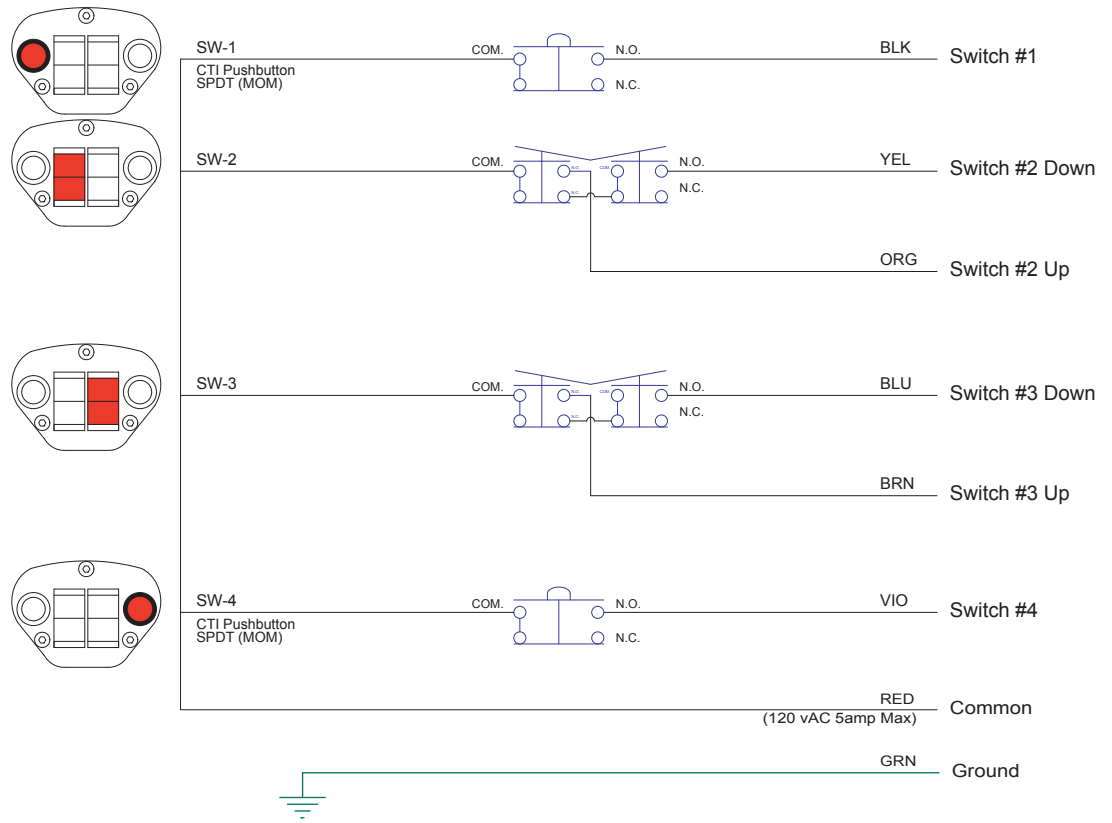
Control Unit Features:

- Switches 1,4: SPDT Mom Pushbutton Switch With Red Seal Caps
- Switches 2,3: SPDT Mom Rocker Switch With Red Seal Caps
- Standard CTI Overlay
- 10 Ft Cable
- 1/2 NPT Mounting Thread With Locking Setscrew

General Information:

- Control Handle Material: Aluminum
- Finish: Black Powder Coat
- Faceplate Material: Aluminum - 5052
- Overlay Material: Polycarbonate
- Temperature Range: -55°C to +85°C at rated current
- CTI Switch Life Cycles: 10,000,000
- Current Rating: 5 amps @ 30vDC

CTI PART# : CTI-2021282



CAUTION:
Metal Handle **MUST** Be Grounded For Safe Operation!

Spare Replacment Components For Part # **CTI-2021282**

- Handle Part #: **69-B92321-04**
- Faceplate: **65-A30323-11**
- Switches 1,4: **32-P-A60215-01**
- Seals 1,4: **76-010321-01**
- Switches 2,3: **32-R-922190-01**
- Seals 2,3: **76-010235-01**

Cable Harness: **22-C-NQ920-J-11**

