

# 8901-RB HANDY-GRIP®

6 Pushbutton w/Boots



Product shown without cable harness for clarity

## GENERAL DIMENSIONS



1/2 NPT  
Mounting Thread



Trigger Location

Product shown without switches for clarity

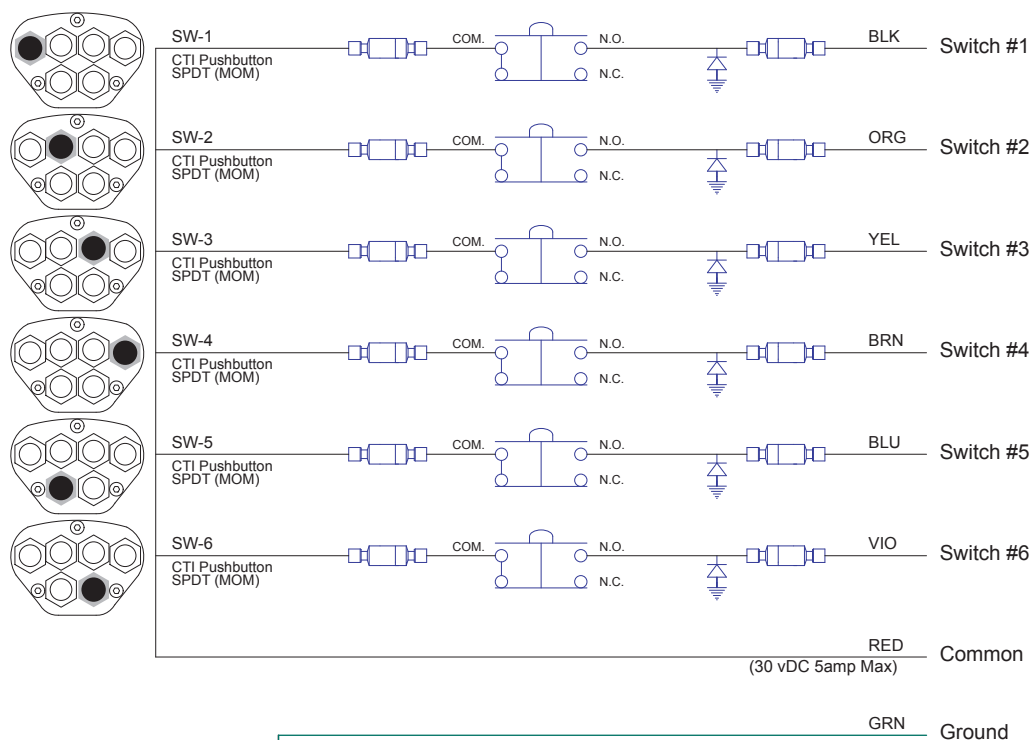
## Control Unit Features:

Switches 1- 6: SPDT Mom Pushbutton Switch With Black/Chrome Seal Boots  
Standard CTI Overlay  
10 Ft Cable  
1/2 NPT Mounting Thread With Locking Setscrew  
Diode Protected

## General Information:

Control Handle Material: Aluminum  
Finish: Black Powder Coat  
Faceplate Material: Aluminum - 5052  
Overlay Material: Polycarbonate  
Temperature Range: -55°C to +85°C at rated current  
CTI Switch Life Cycles: 10,000,000  
Current Rating: 5 amps @ 30vDC

**CTI PART# : CTI-2021284**



**CAUTION:**  
Metal Handle MUST Be Grounded For Safe Operation!

## Spare Replacment Components For Part # **CTI-2021284**

Handle Part #: **69-B92321-04**  
Faceplate: **65-A30323-07**  
Switches 1-6: **32-P-A91113-01**  
Seals 1- 6: **33-BPB-589**  
Cable Harness: **76-CA-NQ920-6SW0T-10**

