

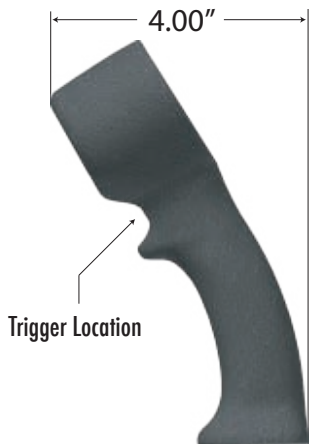
8901-RB HANDY-GRIP®

6 Pushbutton + Trigger w/Boots



Product shown without cable harness for clarity

GENERAL DIMENSIONS



Product shown without switches for clarity

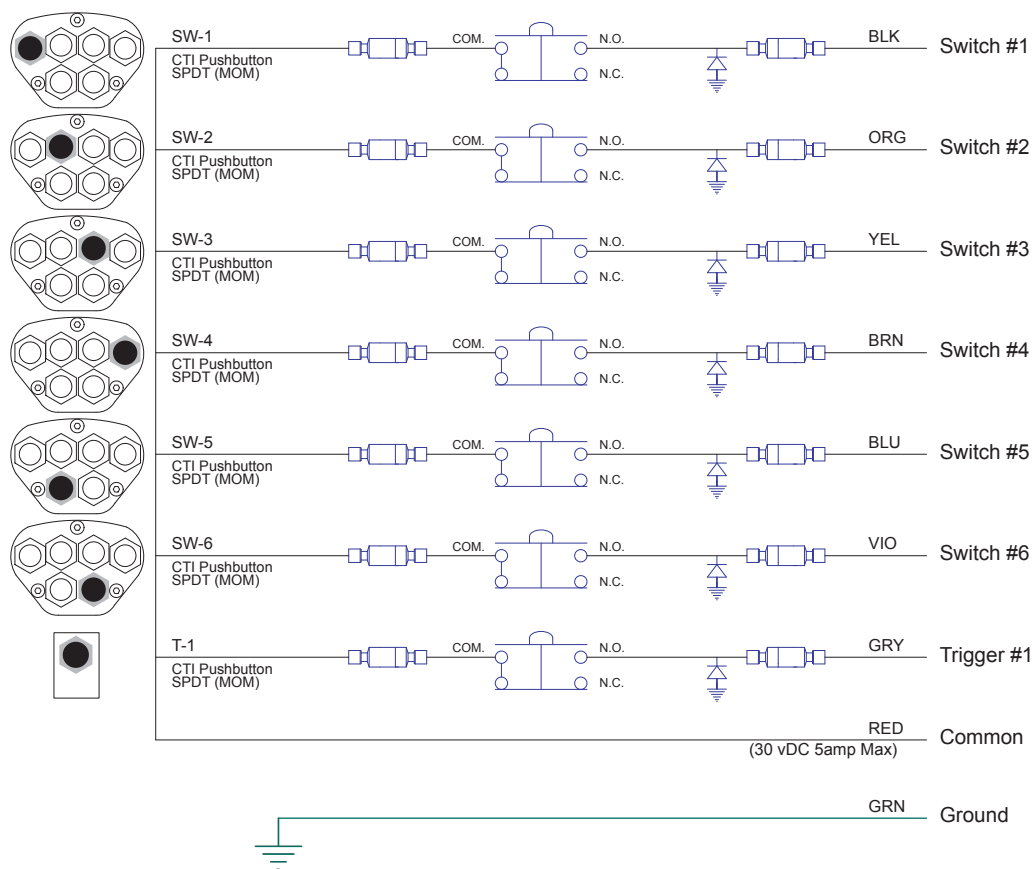
Control Unit Features:

Switches 1- 6: SPDT Mom Pushbutton Switch With Black/Chrome Seal Boots
 Trigger 1: SPDT Mom Pushbutton Switch With Black/Chrome Seal Boots
 Standard CTI Overlay
 10 Ft Cable
 1/2 NPT Mounting Thread With Locking Setscrew
 Diode Protected

General Information:

Control Handle Material: Aluminum
 Finish: Black Powder Coat
 Faceplate Material: Aluminum - 5052
 Overlay Material: Polycarbonate
 Temperature Range: -55°C to +85°C at rated current
 CTI Switch Life Cycles: 10,000,000
 Current Rating: 5 amps @ 30vDC

CTI PART# : CTI-2021285



CAUTION:
 Metal Handle **MUST** Be Grounded For Safe Operation!

Spare Replacment Components For Part # **CTI-2021285**

Handle Part #: **69-B92321-03**

Cable Harness: **76-CA-NQ920-6SWIT-10**

Faceplate: **65-A30323-07**

Switches 1-6: **32-P-A91113-01**

Seals 1- 6: **33-BPB-589**

Trigger 1 Switch: **32-P-A91113-01**

Trigger 1 Seal: **33-BPB-589**

