

8901-RB HANDY-GRIP®

6 Pushbutton w/Caps



Product shown without cable harness for clarity

GENERAL DIMENSIONS



1/2 NPT
Mounting Thread



Trigger Location

Product shown without switches for clarity

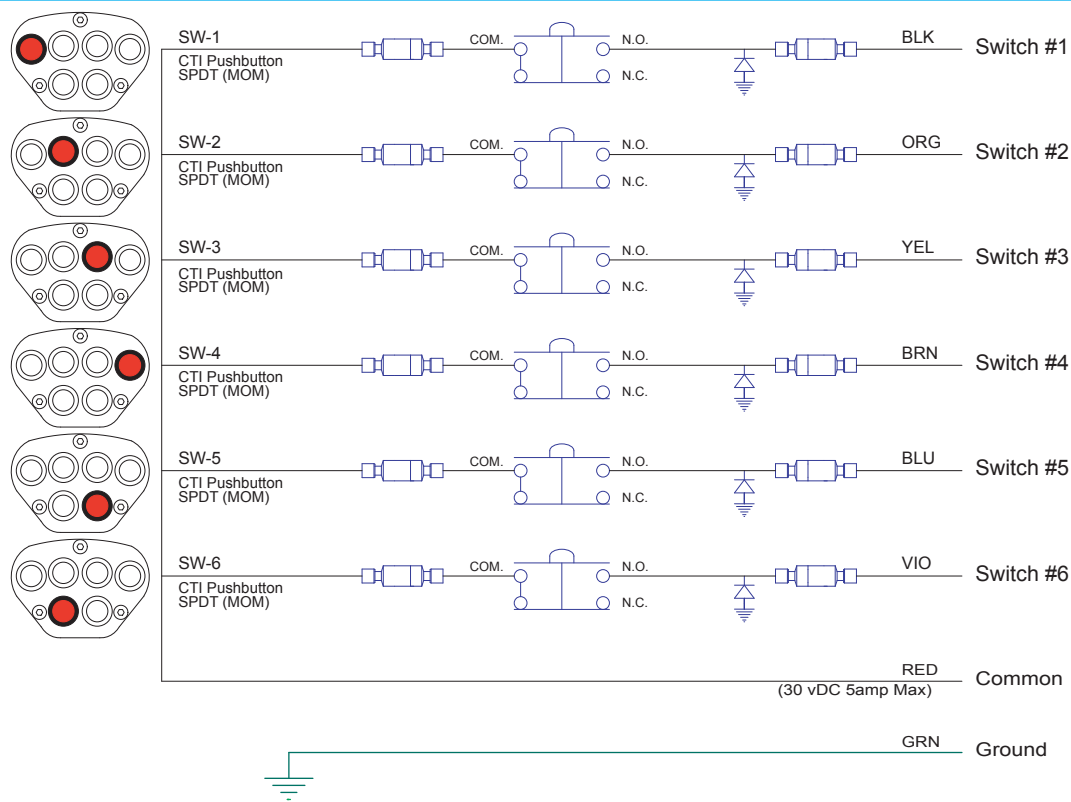
Control Unit Features:

Switches 1- 6: SPDT Mom Pushbutton Switch With Red Seal Caps
Standard CTI Overlay
10 Ft Cable
1/2 NPT Mounting Thread With Locking Setscrew
Diode Protected

General Information:

Control Handle Material: Aluminum
Finish: Black Powder Coat
Faceplate Material: Aluminum - 5052
Overlay Material: Polycarbonate
Temperature Range: -55°C to +85°C at rated current
CTI Switch Life Cycles: 10,000,000
Current Rating: 5 amps @ 30vDC

CTI PART# : CTI-2021286



CAUTION:
Metal Handle **MUST** Be Grounded For Safe Operation!

Spare Replacment Components For Part # **CTI-2021286**

Handle Part #: **69-B92321-04**
Faceplate: **65-A30323-07**
Switches 1-6: **32-P-A91113-01**
Seals 1- 6: **76-010321-01**
Cable Harness: **76-CA-NQ920-6SW0T-10**

