

8501-RB HANDY-GRIP®

2 Pushbutton + Trigger w/Caps

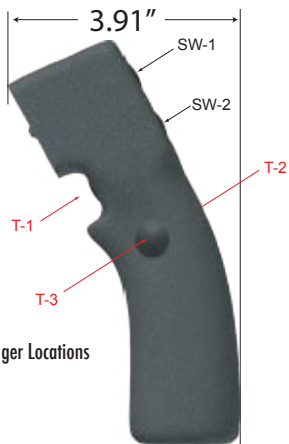


Product shown without cable harness for clarity

GENERAL DIMENSIONS



1/2 NPT
Mounting Thread



Trigger Locations

Product shown without switches for clarity

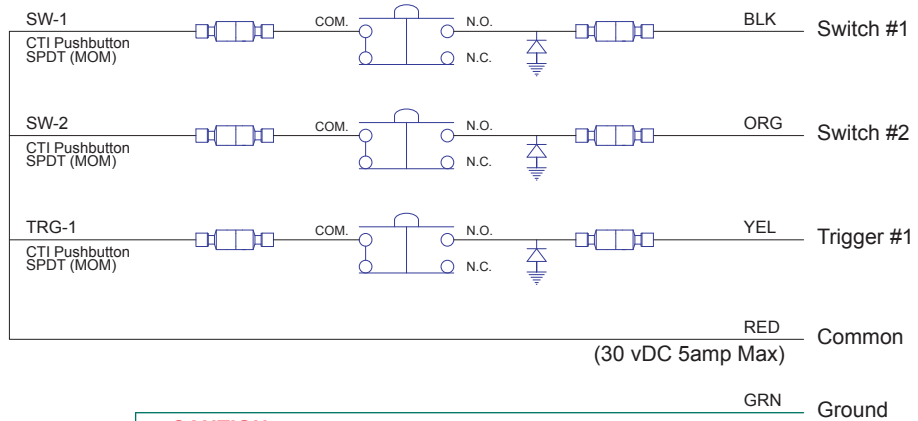
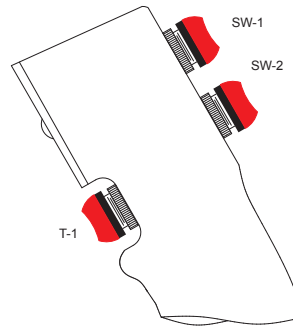
Control Unit Features:

Switches 1-2: SPDT Mom Pushbutton Switch With Red Seal Caps
 Trigger T1: SPDT Mom Pushbutton Switch With Red Seal Caps
 Trigger T2-T3: Sealed Black Nylon Hole Plug
 10 Ft Cable
 1/2 NPT Mounting Thread With Locking Setscrew

General Information:

Control Handle Material: Aluminum
 Finish: Black Powder Coat
 Temperature Range: -55°C to +85°C at rated current
 CTI Switch Life Cycles: 10,000,000
 Current Rating: 5 amps @ 30vDC

CTI PART# : CTI-2021293



CAUTION:
 Metal Handle **MUST** Be Grounded For Safe Operation!

Spare Replacment Components For Part # **CTI-2021293**

Handle Part #: **69-980070-01**
 Switches 1-2: **32-P-A91113-01**
 Seals 1-2: **76-010321-01**
 Trigger T1: **32-P-A91113-01**
 Trigger Seal T1: **76-010321-01**
 Trigger T2-T3: **99-HPN-1/2**

Cable Harness: **76-CA-NQ720-SW2T-10**

