

# 8501-RB HANDY-GRIP®

2 Pushbutton + 2 Triggers w/Caps



Product shown without cable harness for clarity

## GENERAL DIMENSIONS



Product shown without switches for clarity

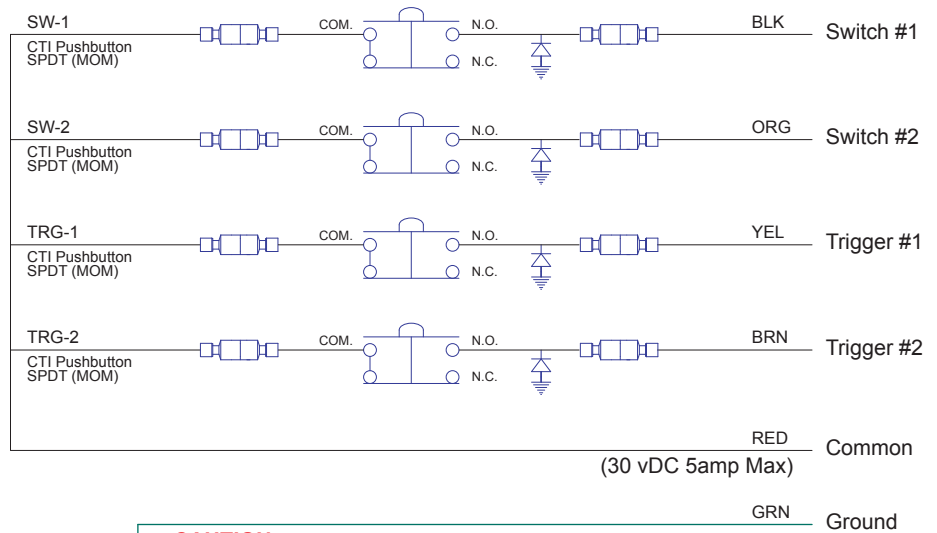
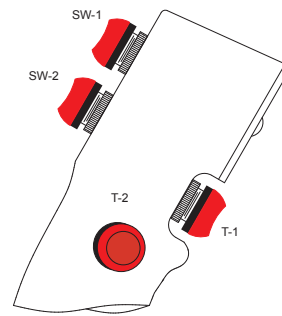
## Control Unit Features:

Switches 1-2: SPDT Mom Pushbutton Switch With Red Seal Caps  
 Trigger T1-T2: SPDT Mom Pushbutton Switch With Red Seal Caps  
 Trigger T3: Sealed Black Nylon Hole Plug  
 10 Ft Cable  
 1/2 NPT Mounting Thread With Locking Setscrew  
 Left Handed

## General Information:

Control Handle Material: Aluminum  
 Finish: Black Powder Coat  
 Temperature Range: -55°C to +85°C at rated current  
 CTI Switch Life Cycles: 10,000,000  
 Current Rating: 5 amps @ 30vDC

**CTI PART# : CTI-2021294**



**CAUTION:**  
 Metal Handle MUST Be Grounded For Safe Operation!

## Spare Replacment Components For Part # **CTI-2021294**

Handle Part #: **69-980070-01**  
 Switches 1-2: **32-P-A91113-01**  
 Seals 1-2: **76-010321-01**  
 Trigger T1-T2: **32-P-A91113-01**  
 Trigger Seal T1: **76-010321-01**  
 Trigger T3: **99-HPN-1/2**

Cable Harness: **76-CA-NQ720-2SW2T-10**

