

# 8501-RB HANDY-GRIP®

2 Pushbutton + Trigger w/Caps

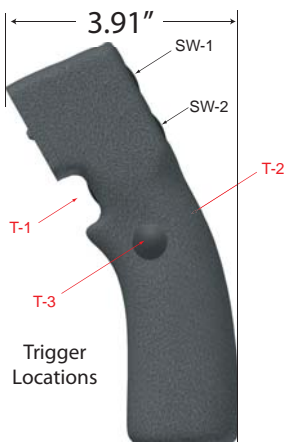


Product shown without cable

## GENERAL DIMENSIONS



1/2 NPT  
Mounting Thread



Product shown without switches for

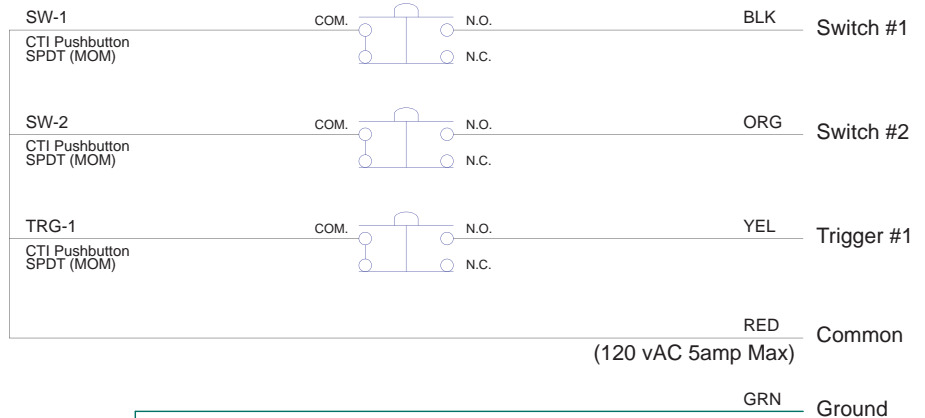
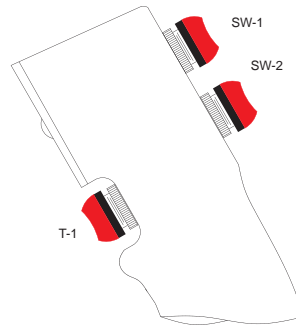
## Control Unit Features:

- Switches 1-2: SPDT Mom Pushbutton Switch With Red Seal Caps
- Trigger T1: SPDT Mom Pushbutton Switch With Red Seal Caps
- Trigger T2-T3: Sealed Black Nylon Hole Plug
- 10 Ft Cable
- 1/2 NPT Mounting Thread With Locking Setscrew

## General Information:

- Control Handle Material: Aluminum
- Finish: Black Powder Coat
- Temperature Range: -55°C to +85°C at rated current
- CTI Switch Life Cycles: 10,000,000
- Current Rating: 5 amps @ 120vAC

## CTI PART# : CTI-2021296



**CAUTION:**  
Metal Handle MUST Be Grounded For Safe Operation!

## Spare Replacment Components For Part #CTI-2021296

- Handle Part #: 69-980070-01 Cable Harness: 22-C-NQ720-J-11
- Switches 1-2: 32-P-A60215-01
- Seals 1-2: 76-010321-01
- Trigger T1: 32-P-A60215-01
- Trigger Seal T1: 76-010321-01
- Trigger T2-T3: 99-HPN-1/2

