

# P-10 HANDY-GRIP®

4 Pushbutton



Product shown without cable harness for clarity

## GENERAL DIMENSIONS



1/2-13  
Mounting Thread



Product shown without switches for clarity

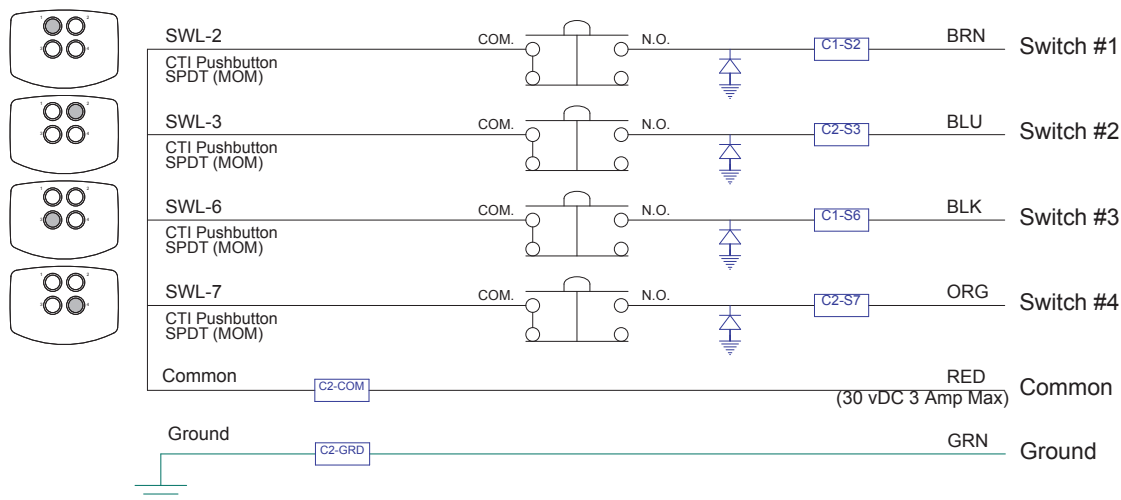
## Control Unit Features:

Switches 1- 4: SPDT Mom Pushbutton Switch With Gray Seal Button  
Standard CTI Overlay  
10 Ft Cable  
1/2-13 Mounting Thread  
Diode Protected

## General Information:

Control Handle Material: ABS  
Finish: Gray  
Faceplate Material: Aluminum - 5052  
Overlay Material: Polycarbonate  
Temperature Range: -55°C to +85°C at rated current  
CTI Switch Life Cycles: 10,000,000  
Current Rating: 5 amps @ 30vDC

## CTI PART# : CTI-2021316



## Spare Replacment Components For Part # **CTI-2021316**

Handle Part #: **69-010154-01**  
Faceplate: **65-010204-00**  
Switches 1-4: **71-020144-01**  
Seals 1-4: **76-010275-01**  
Trigger Seal Plug: **76-010276-01**  
Cable Harness: **22-C-NQ-1524-11**

