

P-10 HANDY-GRIP®

6 Pushbutton

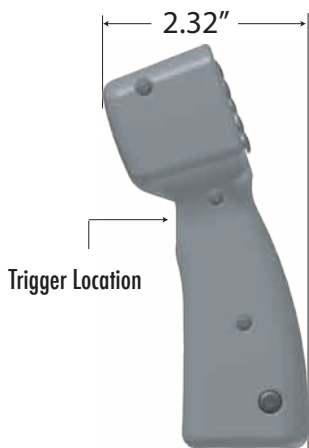


Product shown without cable harness for clarity

GENERAL DIMENSIONS



1/2-13
Mounting Thread



Product shown without switches for clarity

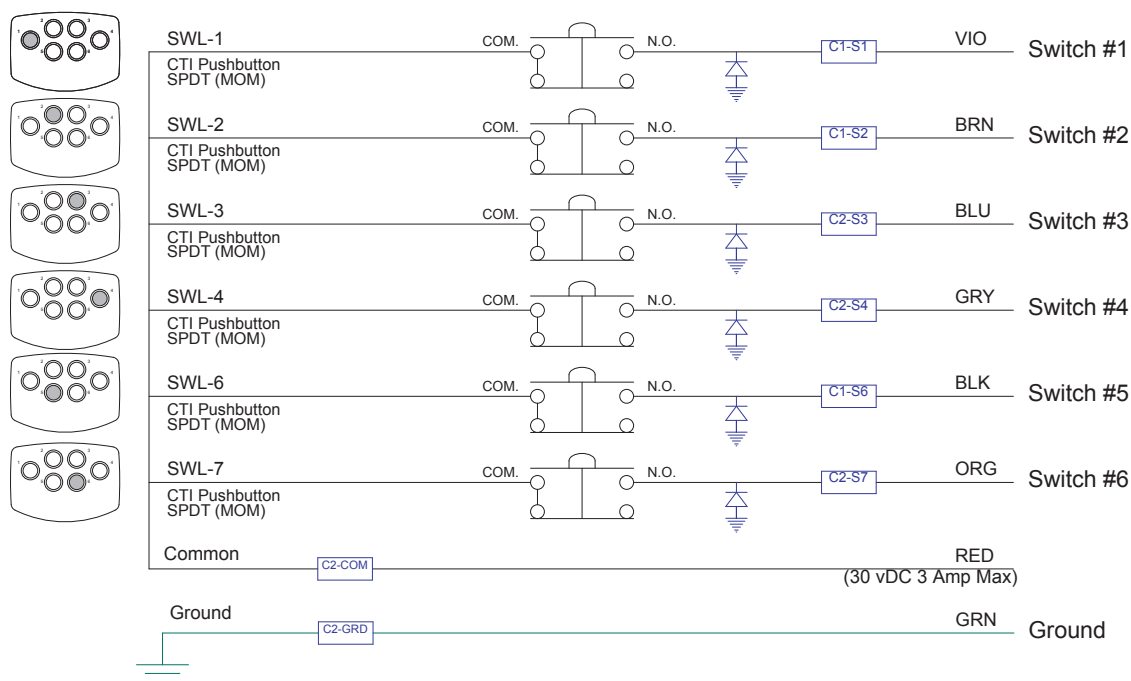
Control Unit Features:

Switches 1- 6: SPDT Mom Pushbutton Switch With Gray Seal Button
Standard CTI Overlay
10 Ft Cable
1/2-13 Mounting Thread
Diode Protected

General Information:

Control Handle Material: ABS
Finish: Gray
Faceplate Material: Aluminum - 5052
Overlay Material: Polycarbonate
Temperature Range: -55°C to +85°C at rated current
CTI Switch Life Cycles: 10,000,000
Current Rating: 5 amps @ 30vDC

CTI PART# : CTI-2021318



Spare Replacment Components For Part # **CTI-2021318**

Handle Part #: **69-010154-01**
Faceplate: **65-010206-00**
Switches 1-6: **71-02145-01**
Seals 1-6: **76-010275-01**
Trigger Seal Plug: **76-010276-01**
Cable Harness: **22-C-NQ-1524-11**

