

P-10 HANDY-GRIP®

10 Pushbutton + Trigger

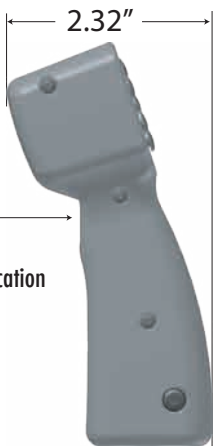


Product shown without cable harness for clarity

GENERAL DIMENSIONS



1/2-13
Mounting Thread



Trigger Location

Product shown without switches for clarity

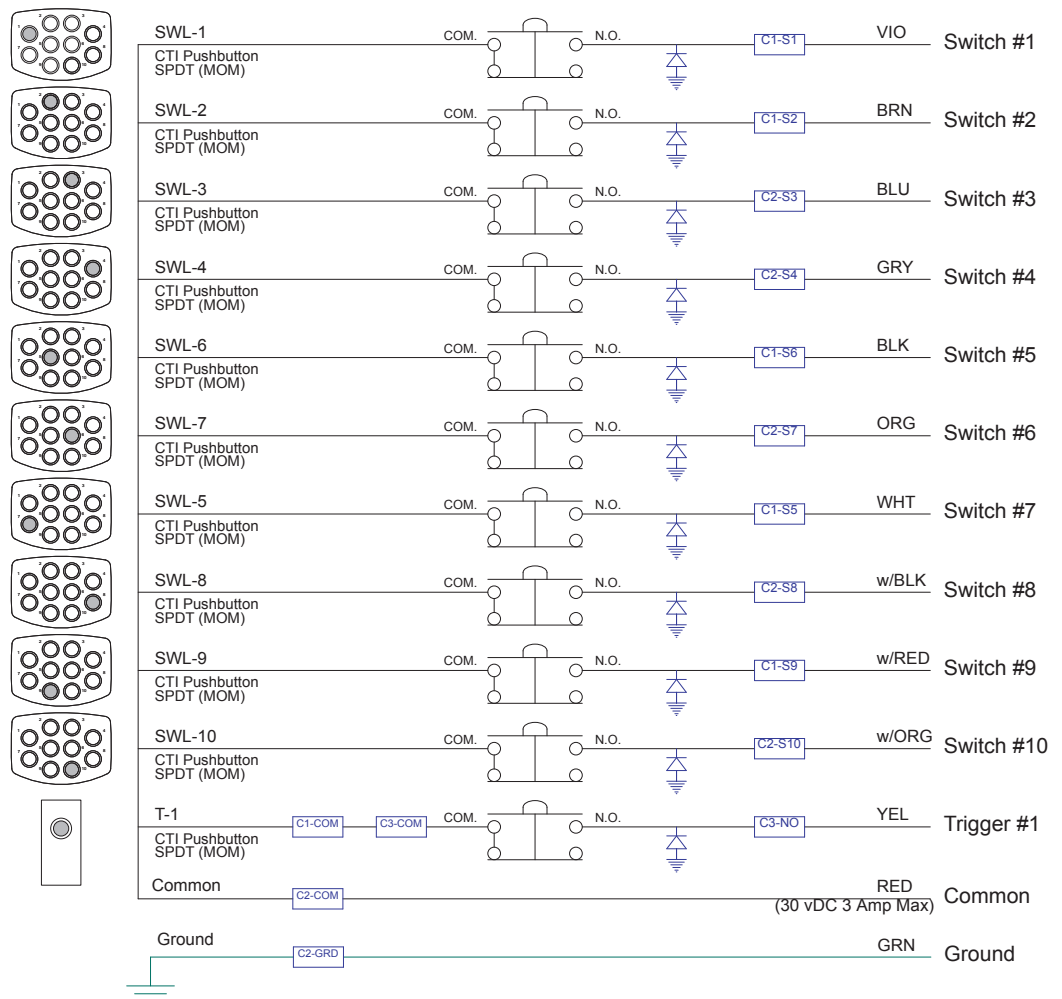
Control Unit Features:

Switches 1- 10: SPDT Mom Pushbutton Switch With Gray Seal Button
 Trigger 1: SPDT Mom Pushbutton Switch With Gray Seal Button
 Standard CTI Overlay
 10 Ft Cable
 1/2-13 Mounting Thread
 Diode Protected

General Information:

Control Handle Material: ABS
 Finish: Gray
 Faceplate Material: Aluminum - 5052
 Overlay Material: Polycarbonate
 Temperature Range: -55°C to +85°C at rated current
 CTI Switch Life Cycles: 10,000,000
 Current Rating: 5 amps @ 30vDC

CTI PART# : CTI-2021323



Spare Replacment Components For Part # **CTI-2021323**

Handle Part #: **69-010154-01**
 Faceplate: **65-010206-00**
 Switches 1-10: **71-02140-01**
 Seals 1-2: **76-010275-01**
 Cable Harness: **22-C-NQ-1524-11**

