

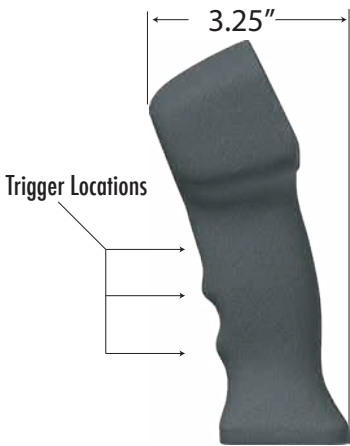
8601-RB HANDY-GRIP®

10 Pushbutton + 3 Triggers w/Boots



Product shown without cable harness for clarity

GENERAL DIMENSIONS



Product shown without switches for clarity

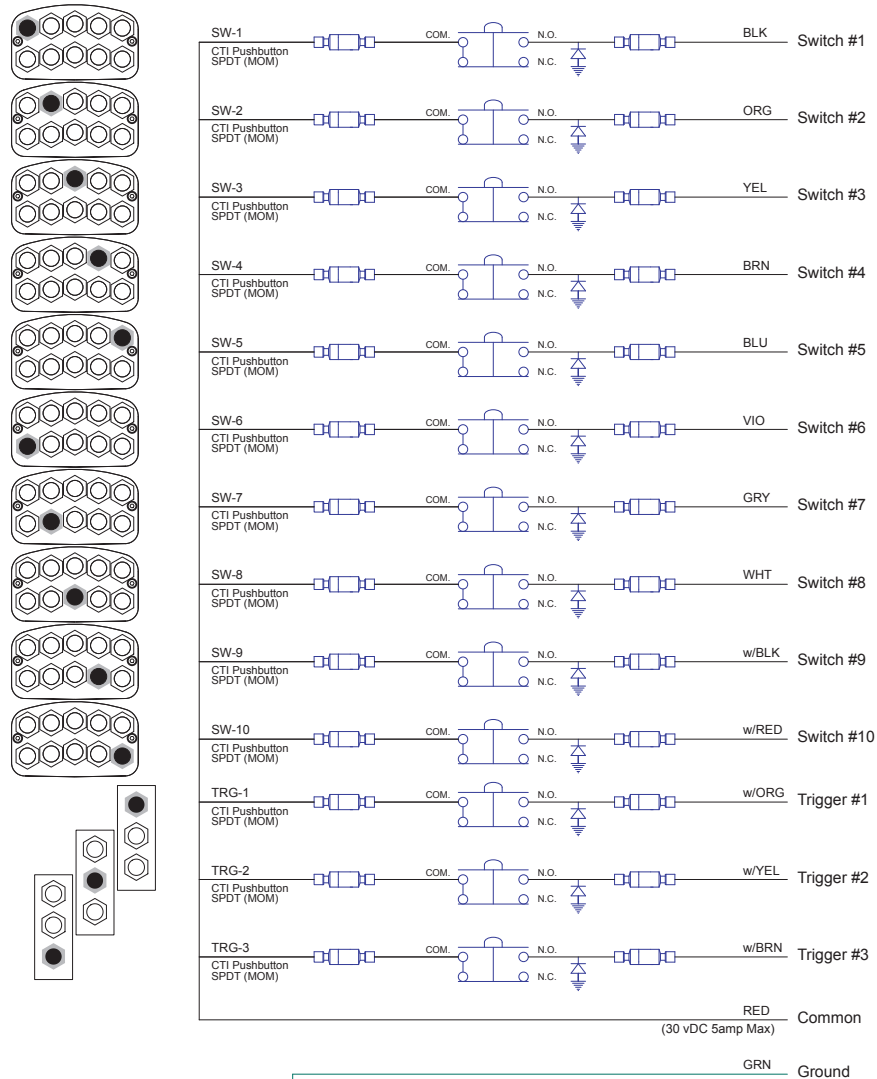
Control Unit Features:

Switches 1-10: SPDT Mom Pushbutton Switch With Black/Chrome Seal Boots
 Triggers 1-3: SPDT Mom Pushbutton Switch With Black/Chrome Seal Boots
 Standard CTI Overlay
 10 Ft Cable
 1/2 NPT Mounting Thread With Locking Setscrew
 Diode Protected

CTI PART# : CTI-2021329

General Information:

Control Handle Material: Aluminum
 Finish: Black Powder Coat
 Faceplate Material: Aluminum - 5052
 Overlay Material: Polycarbonate
 Temperature Range: -55°C to +85°C at rated current
 CTI Switch Life Cycles: 10,000,000
 Current Rating: 5 amp @ 30vDC



CAUTION:
 Metal Handle **MUST** Be Grounded For Safe Operation!

Spare Replacment Components For Part # **CTI-2021329**

Handle Part #: **69-960090-01**
 Faceplate: **65-A52851-10**
 Switches 1-10: **32-P-A91113-01**

Seals 1- 10: **33-BPB-589**
 Cable Harness: **76-CA-NQ1520-10SW-3T-10**

