

EG-930-RB

2 Pushbutton + 1 Trigger w/Caps (Rt)

Control Unit Features:

Switches 1-2: SPDT Mom Pushbutton Switch With Red Seal Caps
Trigger 1: SPDT Mom Pushbutton Switch With Red Seal Caps
10 Ft Cable
3/8 Mounting Thread With Locking Setscrew
Diode Protected

General Information:

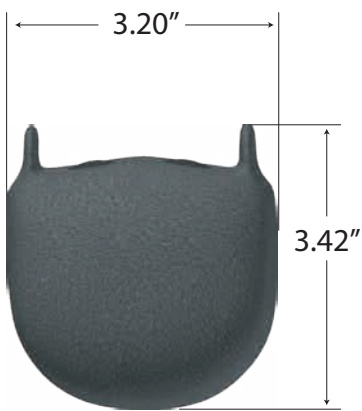
Control Handle Material: Aluminum
Finish: Black Powder Coat
Faceplate Material: Aluminum - 5052
Overlay Material: Polycarbonate
Temperature Range: -55°C to +85°C at rated current
CTI Switch Life Cycles: 10,000,000
Current Rating: 5 amps @ 120vAC



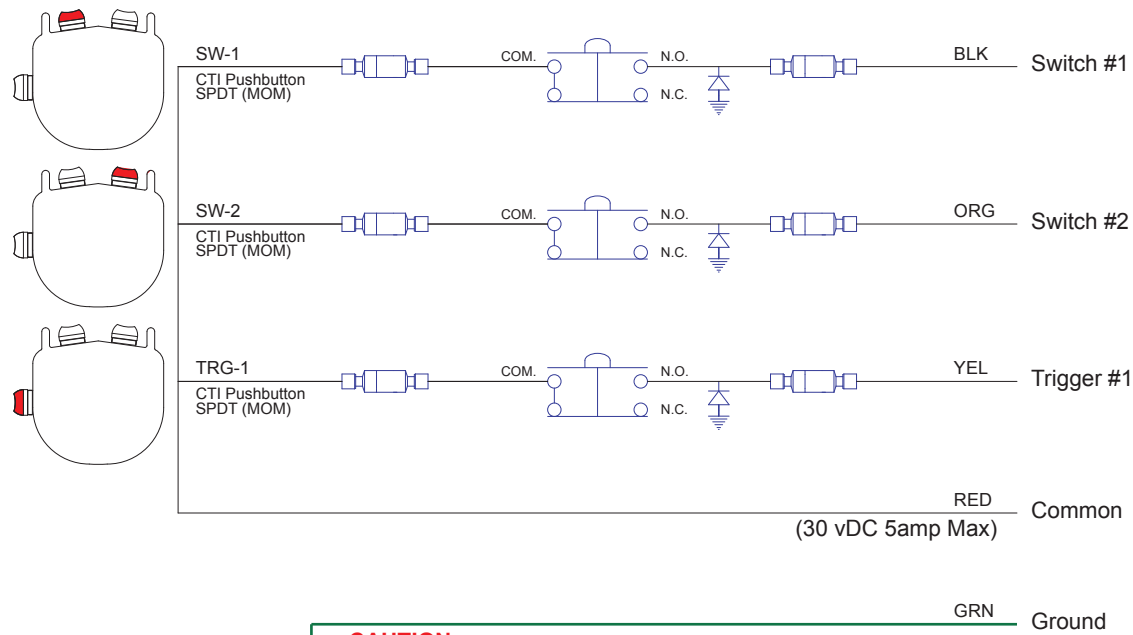
CTI PART# : CTI-2021410

Product shown without cable harness for clarity

GENERAL DIMENSIONS



Product shown without switches for clarity



CAUTION:
Metal Handle MUST Be Grounded For Safe Operation!

Spare Replacment Components For Part # CTI-2021410

Handle Part #: 69-96079-01
Switches 1-2: 32-P-A60215-01
Seals 1- 2: 76-010321-01
Trigger 1: 32-P-A60215-01
Trigger Seal 1: 76-010321-01
Cable Harness: 76-CA-NQ520-4SW-10

