

EG-930-RB

2 Pushbutton + 1 Trigger w/Caps (Lt)



Control Unit Features:

Switches 1-2: SPDT Mom Pushbutton Switch With Red Seal Caps
Trigger 1: SPDT Mom Pushbutton Switch With Red Seal Caps
10 Ft Cable
3/8 Mounting Thread With Locking Setscrew
Diode Protected

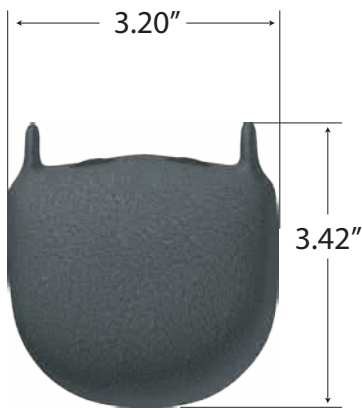
General Information:

Control Handle Material: Aluminum
Finish: Black Powder Coat
Faceplate Material: Aluminum - 5052
Overlay Material: Polycarbonate
Temperature Range: -55°C to +85°C at rated current
CTI Switch Life Cycles: 10,000,000
Current Rating: 5 amps @ 120vAC

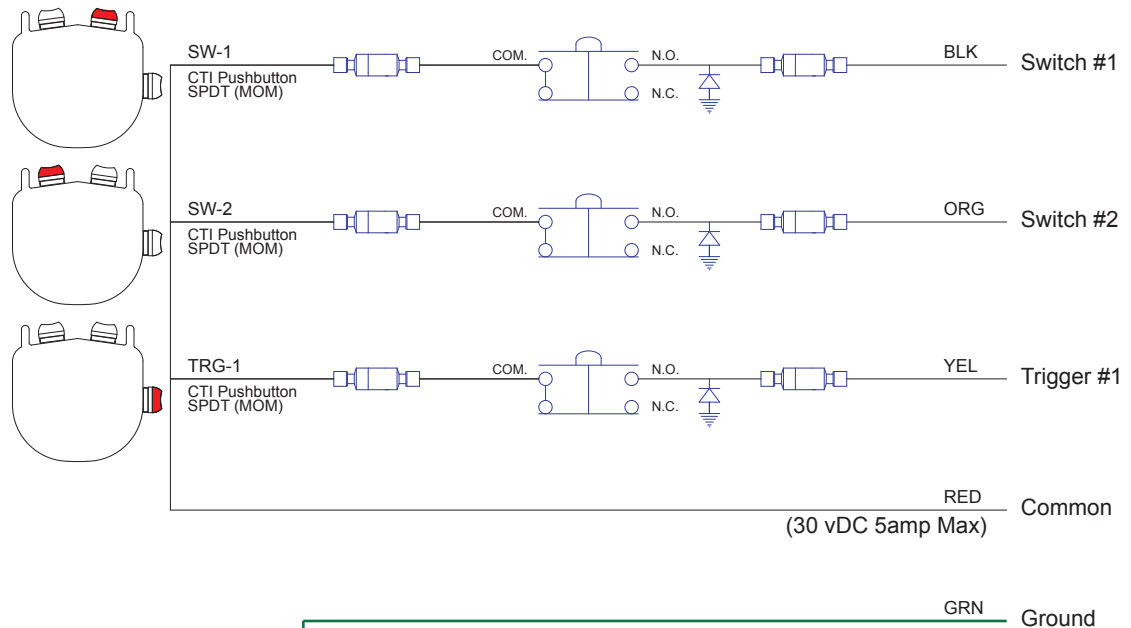
CTI PART# : CTI-2021411

Product shown without cable harness for clarity

GENERAL DIMENSIONS



Product shown without switches for clarity



CAUTION:
Metal Handle MUST Be Grounded For Safe Operation!

Spare Replacment Components For Part # CTI-2021411

Handle Part #: 69-96078-01
Switches 1-2: 32-P-A91113-01
Seals 1- 2: 76-010321-01
Trigger 1: 32-P-A91113-01
Trigger Seal 1: 76-010321-01
Cable Harness: 76-CA-NQ520-4SW-10

