

EG-950-RB

4 Pushbutton + 1 Trigger w/Caps (Rt)



Control Unit Features:

Switches 1-4: SPDT Mom Pushbutton Switch
Trigger 1: SPDT Mom Pushbutton Switch
10 Ft Cable
3/8 Mounting Thread With Locking Setscrew
Diode Protected

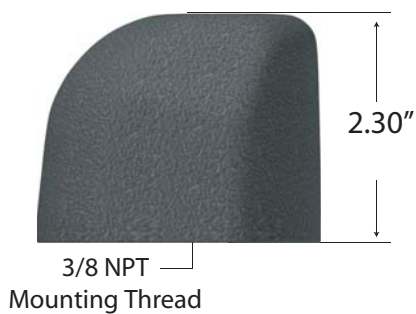
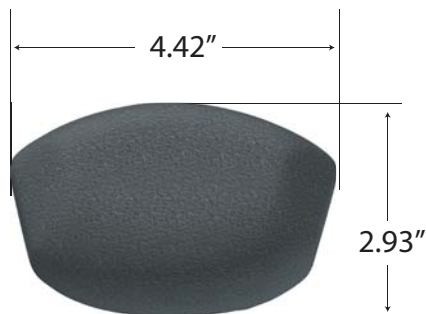
General Information:

Control Handle Material: Aluminum
Finish: Black Powder Coat
Temperature Range: -55°C to +85°C at rated current
CTI Switch Life Cycles: 10,000,000
Current Rating: 5 amps @ 30vDC

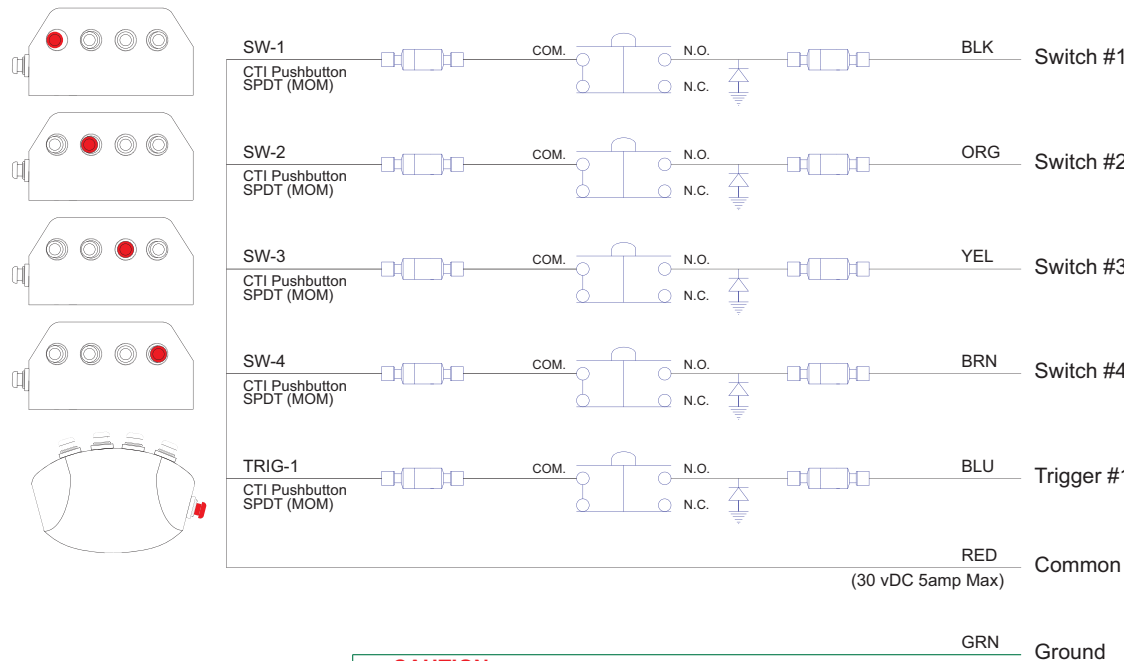
CTI PART# : CTI-2021414

Product shown without cable harness for clarity

GENERAL DIMENSIONS



Product shown without switches for clarity



CAUTION:
Metal Handle MUST Be Grounded For Safe Operation!

Spare Replacment Components For Part #CTI-2021414

Handle Part #: 69-970087-01
Switches 1-4: 32-P-A91113-01
Seals 1- 4: 76-010321-01
Trigger 1: 32-P-A91113-01
Trigger Seal 1: 76-010321-01
Cable Harness: 76-CA-NQ720-J-10

