

EG-950-RB

4 Pushbutton + 1 Trigger w/Caps (Lt)



Control Unit Features:

Switches 1-4: SPDT Mom Pushbutton Switch
 Trigger 1: SPDT Mom Pushbutton Switch
 10 Ft Cable
 3/8 Mounting Thread With Locking Setscrew
 Diode Protected

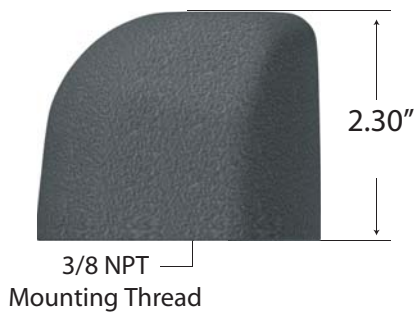
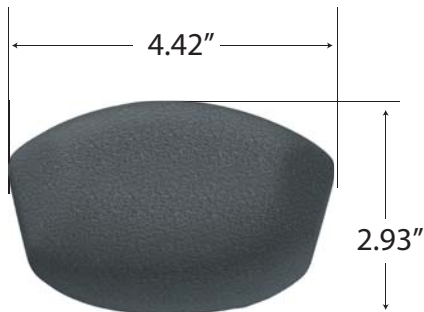
General Information:

Control Handle Material: Aluminum
 Finish: Black Powder Coat
 Temperature Range: -55°C to +85°C at rated current
 CTI Switch Life Cycles: 10,000,000
 Current Rating: 5 amps @ 30vDC

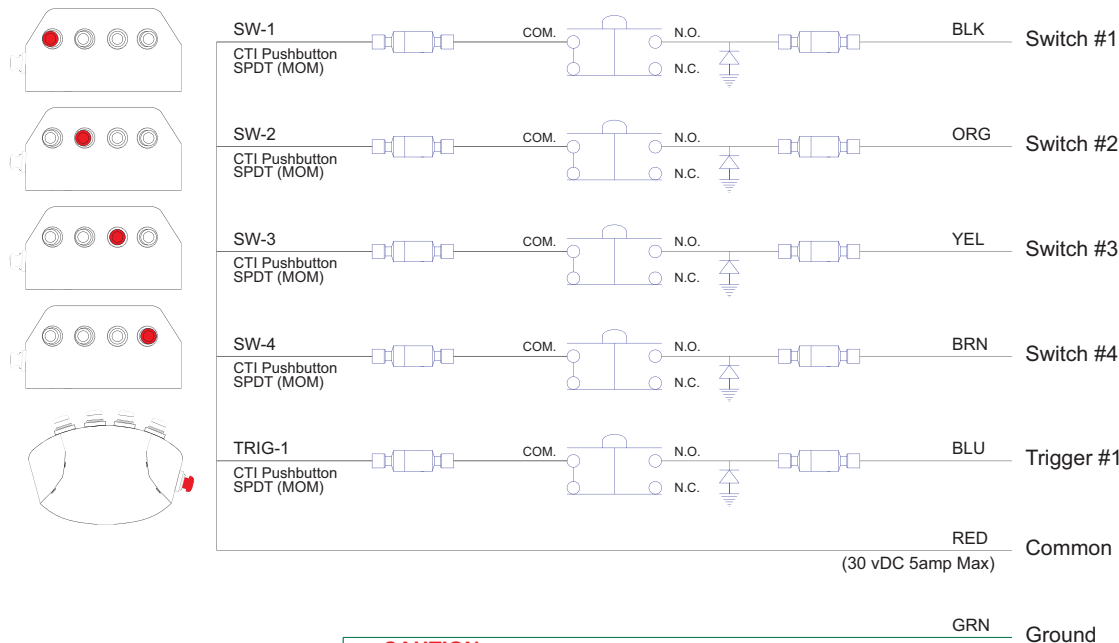
CTI PART#: CTI-2021415

Product shown without cable harness for clarity

GENERAL DIMENSIONS



Product shown without switches for clarity



CAUTION:
 Metal Handle MUST Be Grounded For Safe Operation!

Spare Replacment Components For Part #CTI-2021415

Handle Part #: 69-970088-01
 Switches 1-4: 32-P-A91113-01
 Seals 1- 4: 76-010321-01
 Trigger 1: 32-P-A91113-01
 Trigger Seal 1: 76-010321-01
 Cable Harness: 76-CA-NQ720-4SW1T-10

