

JS-SERIES

PRO-SERIES

Dual Axis Hall Effect Joystick With 1/2 NPT Adaptor



Product shown without cable harness for clarity

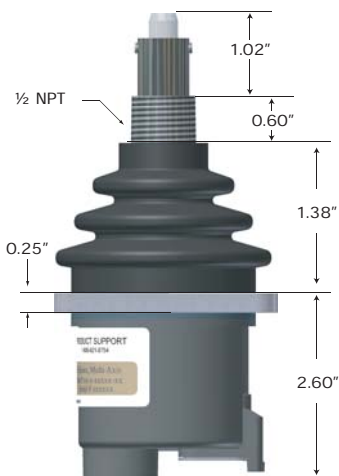
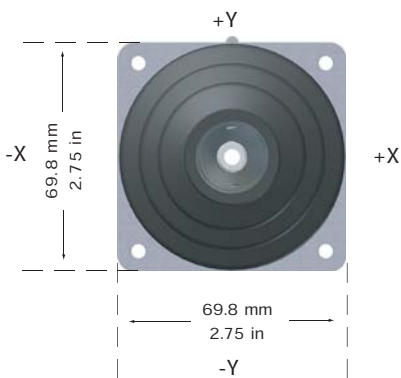
Control Unit Features:

- Non-contact, Hall sensors
- Rugged design - die cast metal frame
- Compact footprint/profile
- Long life - lab tested to 15 million cycles
- 10 Ft Cable Harness with IP67 Duestch Connector
- Linear output over entire handle displacement with no hysteresis
- EMI/RFI protected
- Stable null
- Low power consumption
- Low parts count

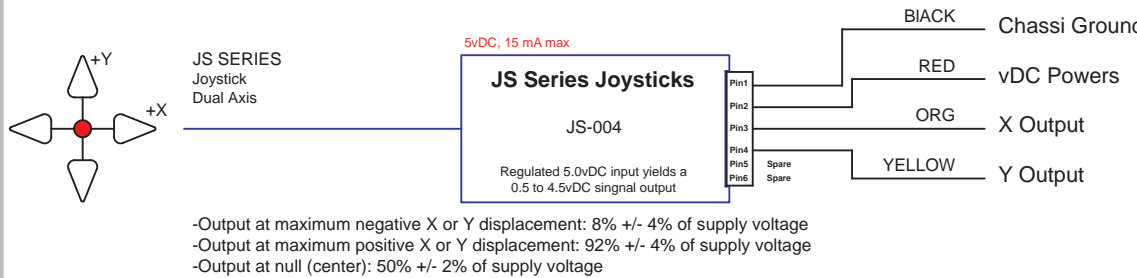
PRO-SERIES JOYSTICK

CTI PART# : CTI-2021446

GENERAL DIMENSIONS



Product shown without switches for clarity



JS-004

Spare Replacment Components For Part #CTI-2021446

Cable Harness: 76-CA-JSS-00-4
Adaptor: 62-050011-01

