

# JS-SERIES

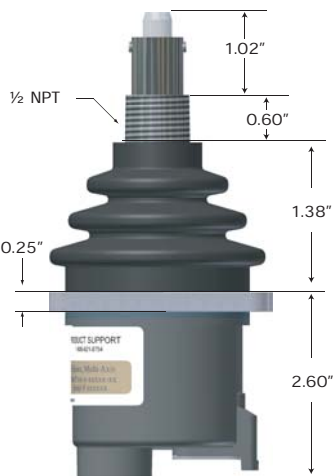
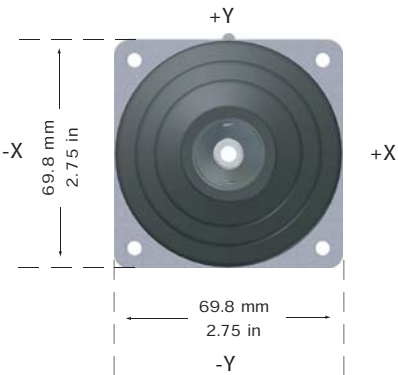
PRO-SERIES

## Single Axis Hall Effect Joystick With 1/2 NPT Adaptor



Product shown without cable harness for clarity

### GENERAL DIMENSIONS



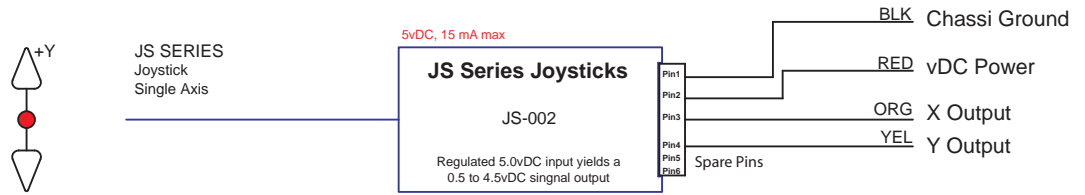
Product shown without switches for clarity

### Control Unit Features:

- Non-contact, Hall sensors
- Rugged design - die cast metal frame
- Compact footprint/profile
- Long life - lab tested to 15 million cycles
- 10 Ft Cable Harness with IP67 Duesch Connector
- Linear output over entire handle displacement with no hysteresis
- EMI/RFI protected
- Stable null
- Low power consumption
- Low parts count

PRO-SERIES JOYSTICK

CTI PART# : CTI-2021448



- Output at maximum negative Y displacement: 8% +/- 4% of supply voltage
- Output at maximum positive Y displacement: 92% +/- 4% of supply voltage
- Output at null (center): 50% +/- 2% of supply voltage

# JS-002

Spare Replacment Components For Part # **CTI-2021448**

Cable Harness: **76-CA-JSS-00-4**

Adaptor: **62-050011-01**