

JS-500-HD

PRO-SERIES

Dual Axis Contact Joystick With 1/2 NPT Adaptor



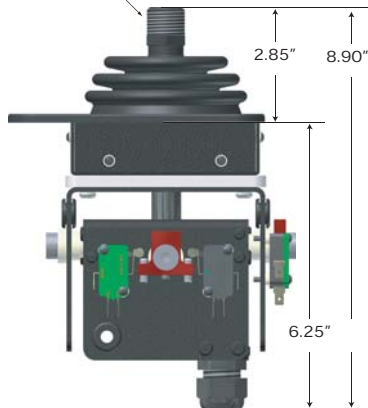
Product shown without cable harness for clarity

GENERAL DIMENSIONS

-X



1/2 NPT



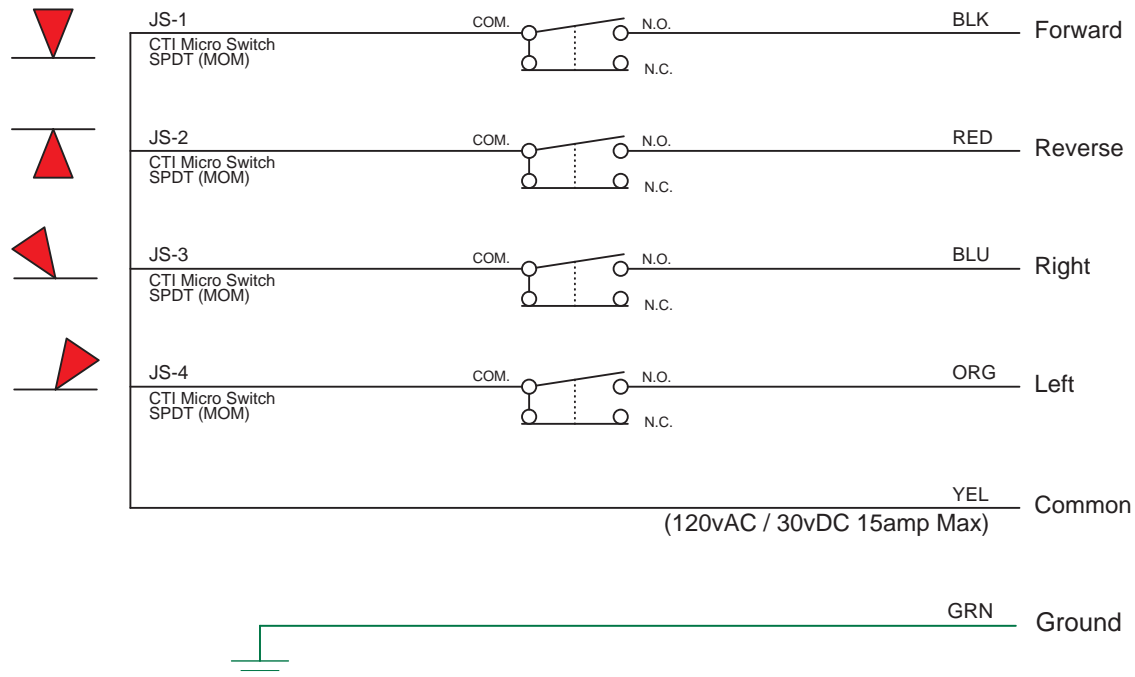
Product shown without switches for clarity

Control Unit Features:

- Contact Rating: 16 Amps@125/250 vAC
- Standard Wiring N.O.
- 16 ± 2 Degrees (On X/Y Axis) From Center
- 10lbs @ Contact (On X/Y Axis)
- 4 Ft Cable Harness
- Std 1/2 NPT Mounting Thread
- Protective Boot Seal
- Heavy Duty Construction

PRO-SERIES JOYSTICK

CTI PART# : CTI-2021454



Spare Replacment Components For Part #CTI-2021454

Cable Harness: 22-C-NQ720-J-4

Adaptor: 28-040039-01

Fwd/Rev Switch: 32-S-V3L-G-3003-D8

Lt/Rt Switch: 32-S-V3L-G-3003-D8

Protective Boot: 33-BSB-970014-01

Boot Seal Plate: 65-A02132-03

Adjustable Cam: 63-970200-03

Control Stick: 71-933021-01

