

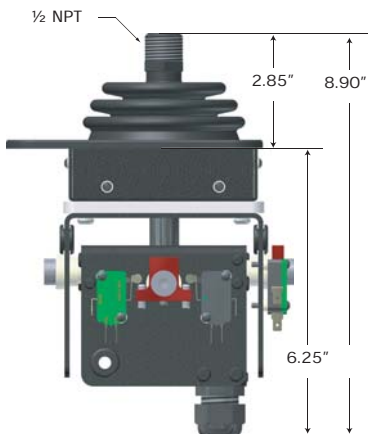
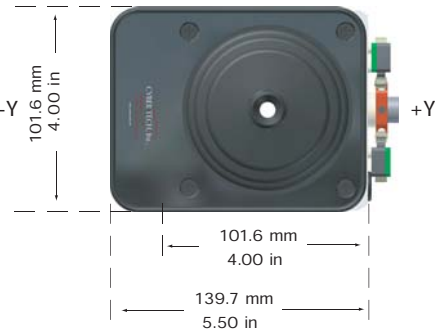
JS-500-HDS PRO-SERIES

Single Axis Contact Joystick With 1/2 NPT Adaptor



Product shown without cable harness for clarity

GENERAL DIMENSIONS



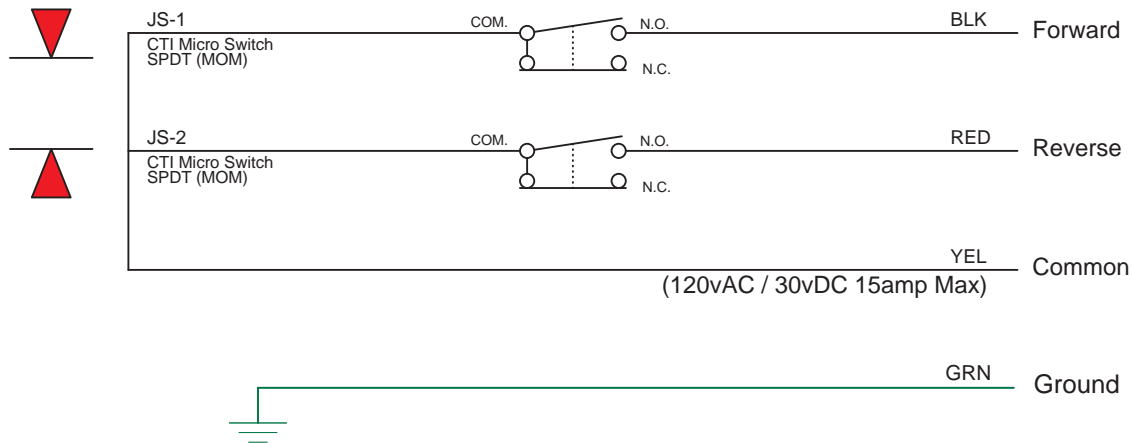
Product shown without switches for clarity

Control Unit Features:

- Contact Rating: 16 Amps@125/250 vAC
- Standard Wiring N.O.
- 16 ± 2 Degrees From Center
- 10lbs @ Contact (On Y Axes)
- 4 Ft Cable Harness
- Std 1/2 NPT Mounting Thread
- Protective Boot Seal
- Heavy Duty Construction

PRO-SERIES JOYSTICK

CTI PART# : CTI-2021455



Spare Replacment Components For Part #CTI-2021455

- Cable Harness: **22-C-NQ720-J-4**
- Adaptor: **28-040039-01**
- Fwd/Rev Switch: **32-S-V3L-G-3003-D8**
- Protective Boot: **33-BSB-970014-01**
- Boot Seal Plate: **65-A02132-03**
- Adjustable Cam: **63-970200-03**
- Control Stick: **71-933021-01**