

JS-500-HD

PRO-SERIES

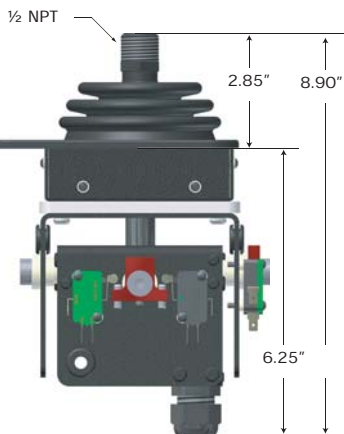
Dual Axis Contact Joystick With Single Porportional Controller Card + 1/2 NPT Adaptor



Product shown without cable harness for clarity

GENERAL DIMENSIONS

-X



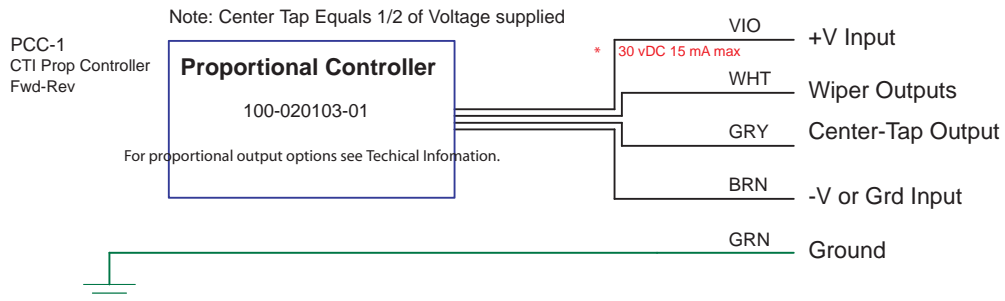
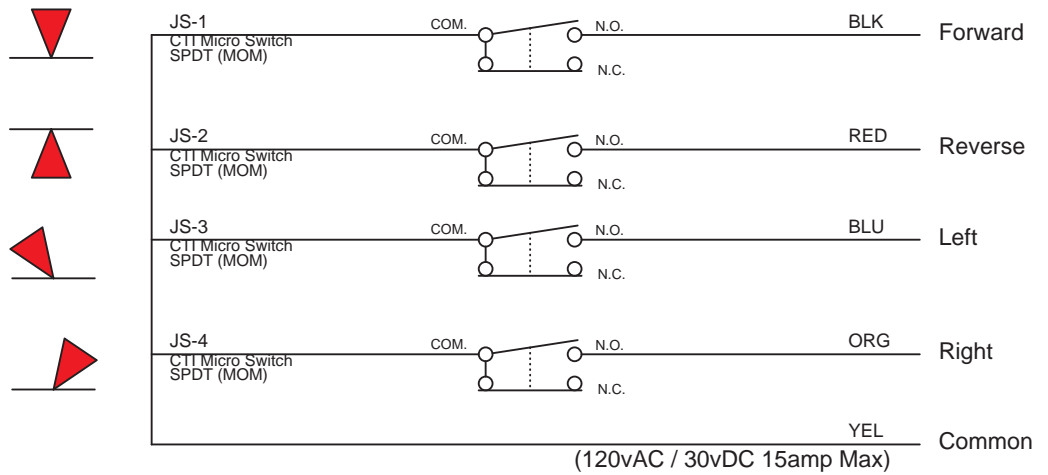
Product shown without switches for clarity

Control Unit Features:

- Contact Rating: 16 Amps@125/250 vAC
- Standard Wiring N.O.
- 16 ± 2 Degrees (On X/Y Axes) From Center
- 10lbs @ Contact (On X/Y Axes)
- Proportional Controller Card
- Std 1/2 NPT Mounting Thread
- 4 Ft Cable Harness
- Protective Boot Seal
- Heavy Duty Construction

PRO-SERIES JOYSTICK

CTI PART#: CTI-2021461



Spare Replacment Components For Part

CTI-2021461

Cable Harness: 22-C-NQ1520-J-4

Protective Boot: 33-BSB-970014-01 Control Stick: 71-933020-01

Adaptor: 28-040039-01

Boot Seal Plate: 65-A02132-03

Fwd/Rev Switch: 32-S-V3L-G-3003-D8 Adjustable Cam: 63-970200-03

Lt/Rt Switch: 32-S-V3L-G-3003-D8

Controller Card: 100-020103-01

