

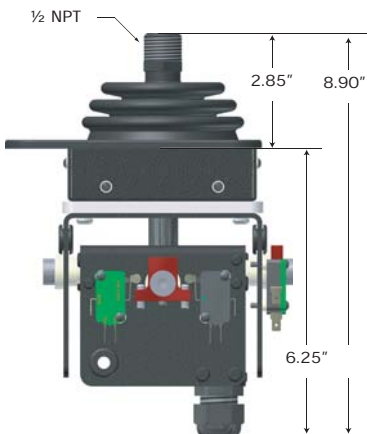
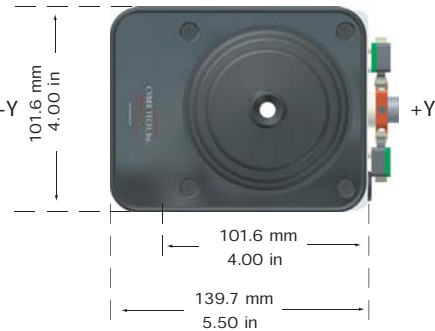
JS-500-HDS PRO-SERIES

Single Axis Contact Joystick With 5K Potentiometer + 1/2 NPT Adaptor



Product shown without cable harness for clarity

GENERAL DIMENSIONS



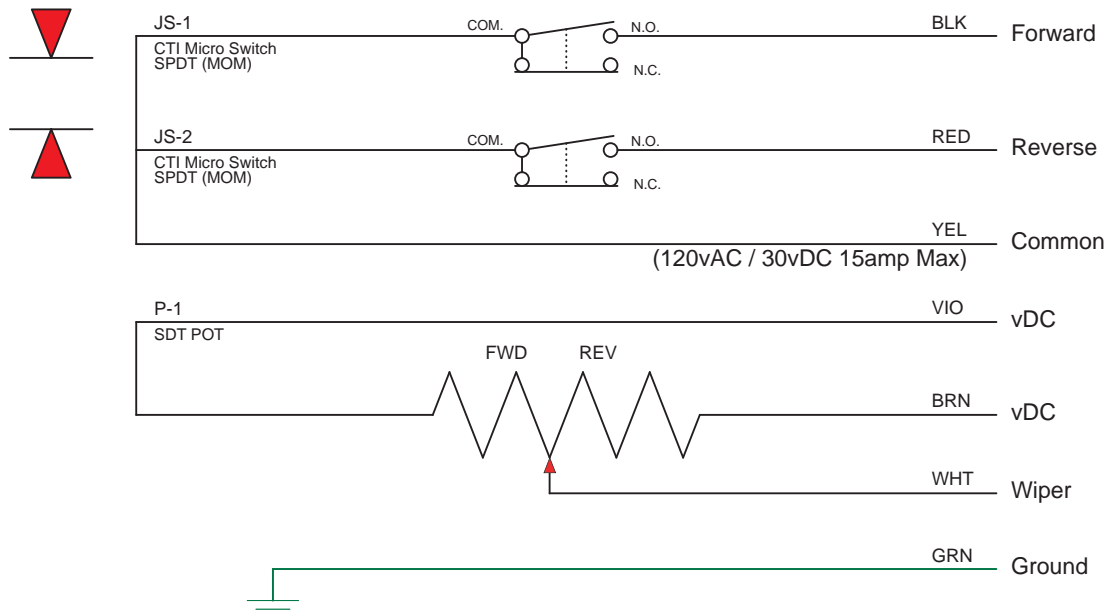
Product shown without switches for clarity

Control Unit Features:

- Contact Rating: 16 Amps@125/250 vAC
- Standard Wiring N.O.
- 16 ± -2 Degrees (On X/Y Axes) From Center
- 10lbs @ Contact (On X/Y Axes)
- 5K, 3 Watt Potentiometer
- Std 1/2 NPT Mounting Thread
- 4 Ft Cable Harness
- Protective Boot Seal
- Heavy Duty Construction

PRO-SERIES JOYSTICK

CTI PART# : CTI-2021462



Spare Replacment Components For Part # CTI-2021462

Cable Harness: 22-C-NQ1520-J-4

Adaptor: 28-040039-01

Fwd/Rev Switch: 32-S-V3L-G-3003-D8

Control Stick: 71-933020-01

Protective Boot: 33-BSB-970014-01

Boot Seal Plate: 65-A02132-03

Adjustable Cam: 63-970200-03

5K Potentiometer: 46-P-53C3-5K