

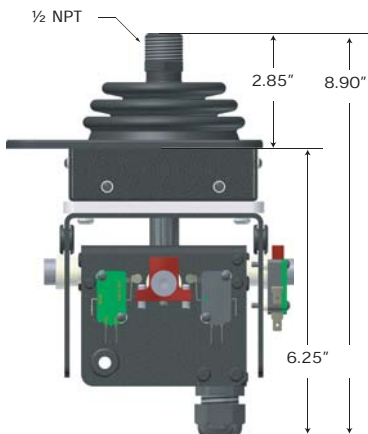
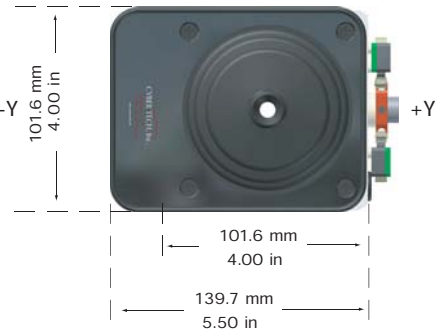
JS-500-HDS PRO-SERIES

Single Axis Contact Joystick With Single 10K Potentiometer + 1/2 NPT Adaptor



Product shown without cable harness for clarity

GENERAL DIMENSIONS



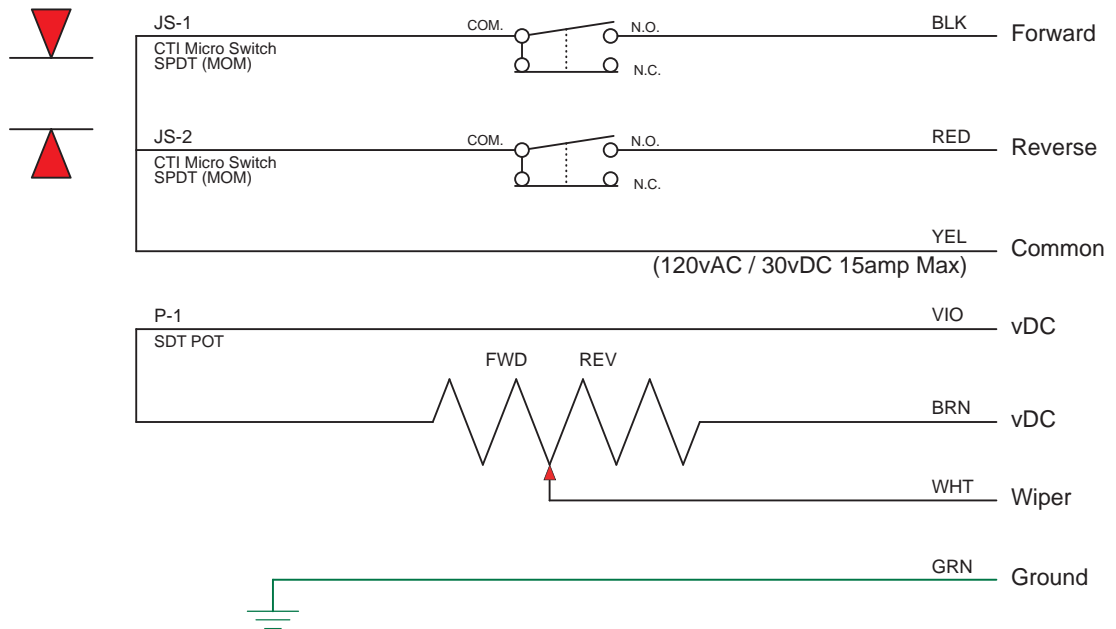
Product shown without switches for clarity

Control Unit Features:

- Contact Rating: 16 Amps@125/250 vAC
- Standard Wiring N.O.
- 16 ± 2 Degrees (On X/Y Axis) From Center
- 10lbs @ Contact (On X/Y Axis)
- 10K, 3 Watt Potentiometer
- Std 1/2 NPT Mounting Thread
- 4 Ft Cable Harness
- Protective Boot Seal
- Heavy Duty Construction

PRO-SERIES JOYSTICK

CTI PART# : CTI-2021463



Spare Replacment Components For Part #CTI-2021463

Cable Harness: **22-C-NQ1520-J-4**

Adaptor: **28-040039-01**

Fwd/Rev Switch: **32-S-V3L-G-3003-D8**

Control Stick: **71-933020-01**

Protective Boot: **33-BSB-970014-01**

Boot Seal Plate: **65-A02132-03**

Adjustable Cam: **63-970200-03**

10K Potentiometer: **46-P-53C3-10K**