

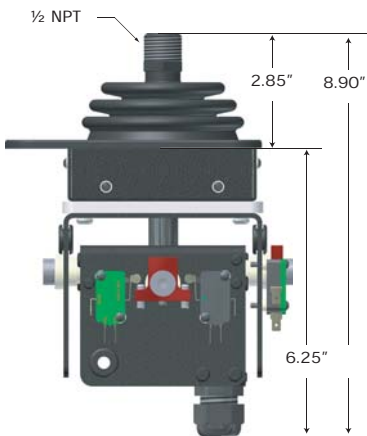
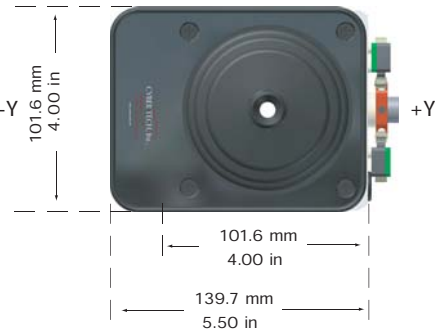
JS-500-HDS PRO-SERIES

Single Axis Contact Joystick With Single Porportional Controller Card + ½ NPT Adaptor



Product shown without cable harness for clarity

GENERAL DIMENSIONS



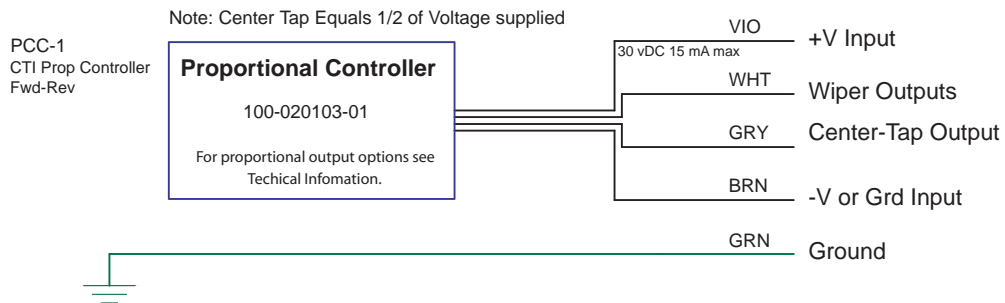
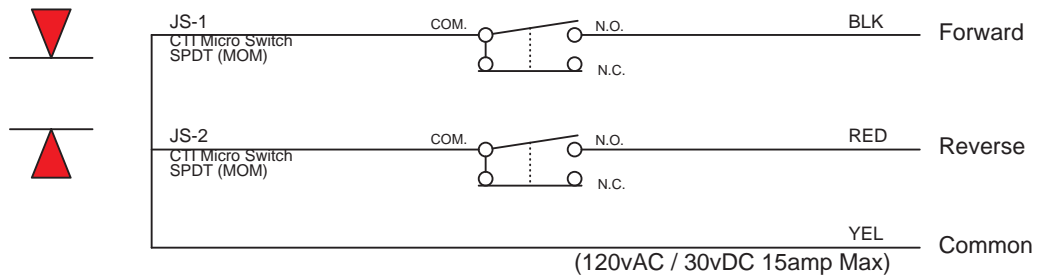
Product shown without switches for clarity

Control Unit Features:

- Contact Rating: 16 Amps@125/250 vAC
- Standard Wiring N.O.
- 16 ± 2 Degrees (On X/Y Axis) From Center
- 10lbs @ Contact (On X/Y Axis)
- Proportional Controller Card
- Std ½ NPT Mounting Thread
- 4 Ft Cable Harness
- Protective Boot Seal
- Heavy Duty Construction

PRO-SERIES JOYSTICK

CTI PART# : CTI-2021464



Spare Replacment Components For Part #CTI-2021464

- Cable Harness: **22-C-NQ1520-J-4**
- Adaptor: **28-040039-01**
- Fwd/Rev Switch: **32-S-V3L-G-3003-D8**
- Control Stick: **71-933020-01**
- Protective Boot: **33-BSB-970014-01**
- Boot Seal Plate: **65-A02132-03**
- Adjustable Cam: **63-970200-03**
- Controller Card: **100-020103-01**