

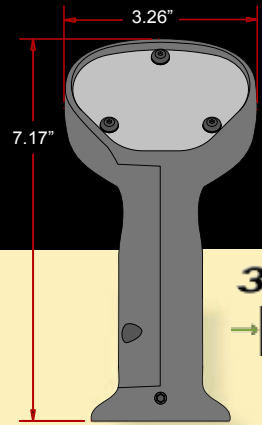
8901-D FlexCore

2 Rockers

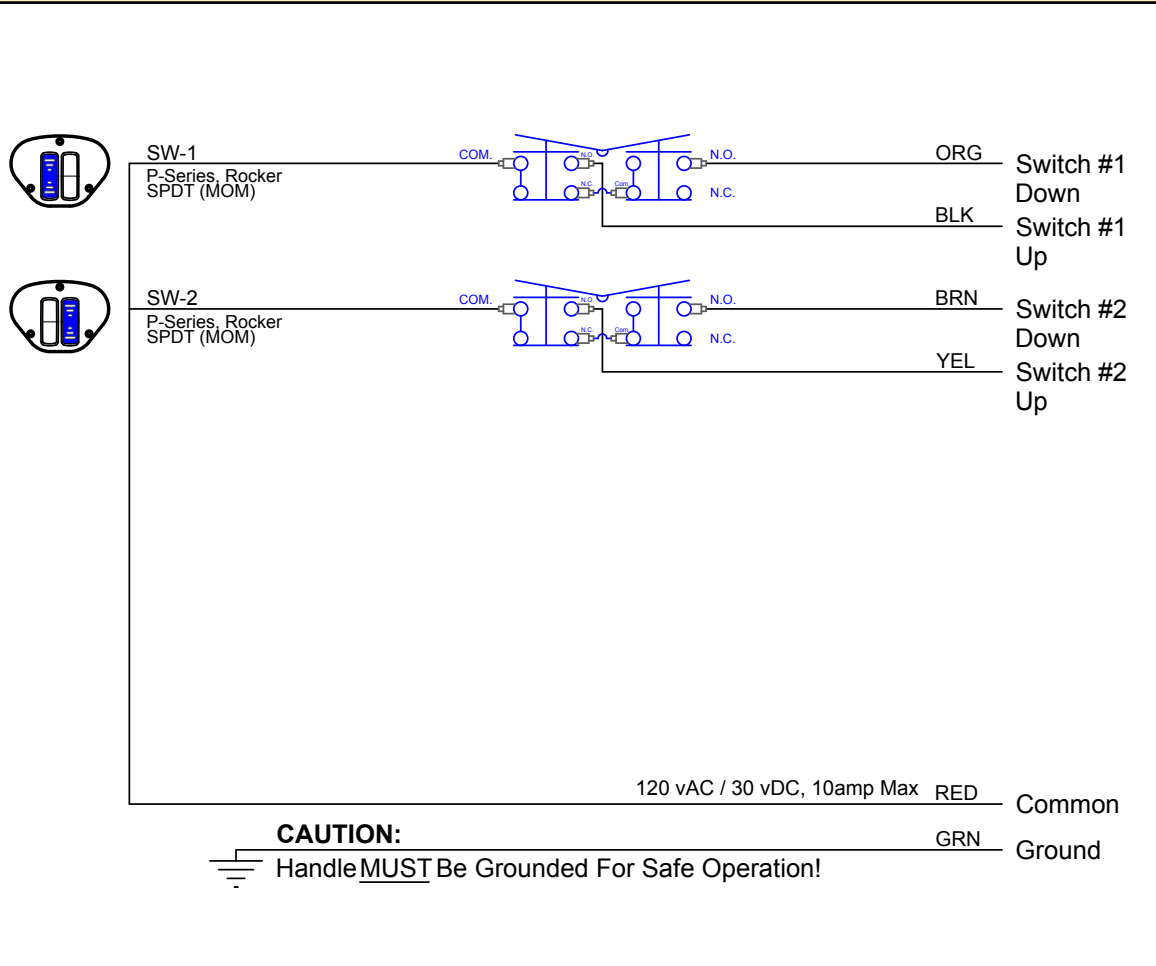
Part Number CTI-2022678

Control Features

- Mounting Thread: 1/2-14NPT
- Standard Switching: 120VAC / 30VDC @ 10amp.
- Switch Life Cycle: 10,000,000
- Electrical Cable: 6ft Standard, 20AWG, MIL Spec.
- Joystick Compatibility: Mounts to all Joysticks w/Adaptors
- Housing Material: Die Cast Aluminum, Powder Coated
- Faceplate Decal: Back Printed LEXAN.



3D
→



Shown Without Cable

Part Number CTI-2022678

2 Rockers

Standard Replacment Components

- Standard Switch: 32-S-95-10
- Rocker Button Assembly 76-070022-01

Cyber-Tech, Inc.

Toll Free: 1.800.621.8754
 1.503.620.2285 Fax: 1.503.620.8580
 www.cyber-tech.net sales@cyber-tech.net

Optional Components

See 8901-D Product Page and Brochure at www.cyber-tech.net

