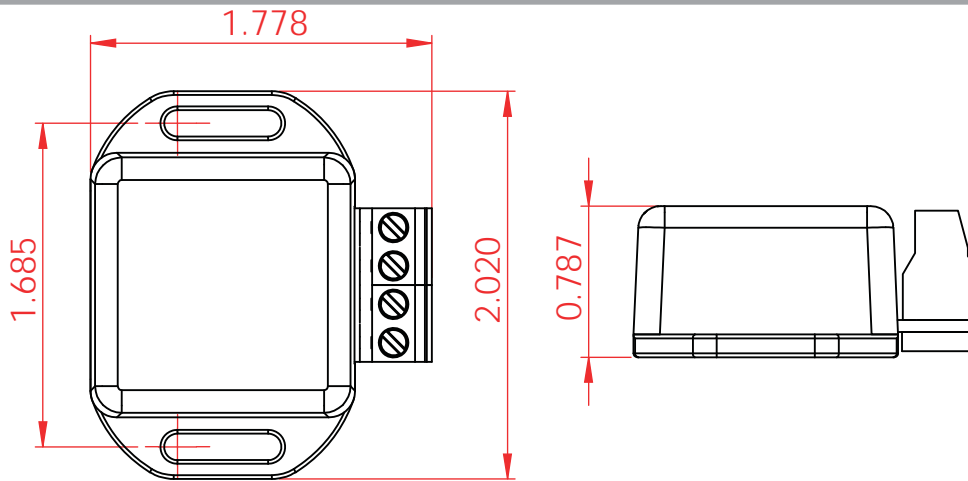


CTI DC-DC Switching Regulators

12-15-2015_DOC:DC-DC

Cyber-Tech's high-efficiency, step-down switching regulators are designed to convert a standard 12 or 24 volt dc power source down to a stable, low noise, 5 volt dc power supply; Suitable for powering our JS-H100 Joysticks, hall effect Thumbwheels or other precision 5 volt dc devices. These switching regulators' small foot print and mounting tab allows for quick installation and large screws terminals simplify wiring. Available in 0.50amp and 2.0amp configurations.

For other voltage outputs please contact us at 1-800-621-8745 or sales@cyber-tech.net



Specifications	100-SR-5vdc-0.5A	100-SR-5vdc-2.0A
Input Voltage Range:	+7.5-36VDC	+8.0-34VDC
Output Voltage	+5.0VDC	+5.0VDC
Output Accuracy	±2%	±2%
Rated Output Current	0.50A	2.00A
<i>Environmental</i>		
Operating Temperature	-40°C to 70°C	-40°C to 70°C
Ingress Protection Connector	IP-50	IP-50
Ingress Protection Electronics	IP-64	IP-64
<i>Protection</i>		
Output Short Circuit	Continuous*	Continuous*
Over/Undervoltage	None	None
Input / Output Isolation	None	None

*Extended short-circuit will decrease the longevity and reliability

These switching regulators do not include internal fuses. If fusing is required they must be externally installed

FEATURES

- Wide voltage input range
- Up to 95% efficiency
- ±2% Output voltage accuracy
- Low noise output suitable for powering sensitive instrumentation

Panel Mounting



1.800.621.8754
1.503.620.2285
Fax: 1.503.620.8580
sales@cyber-tech.net

www.cyber-tech.net
Established 1982