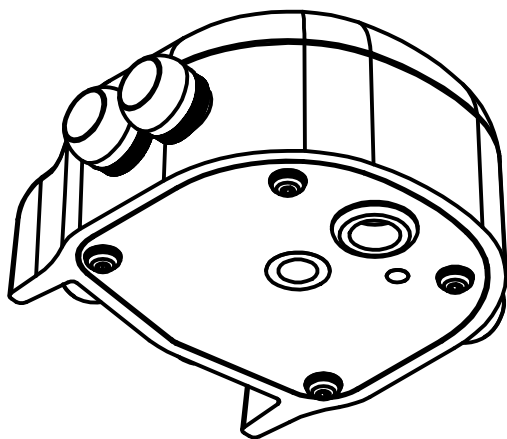


2

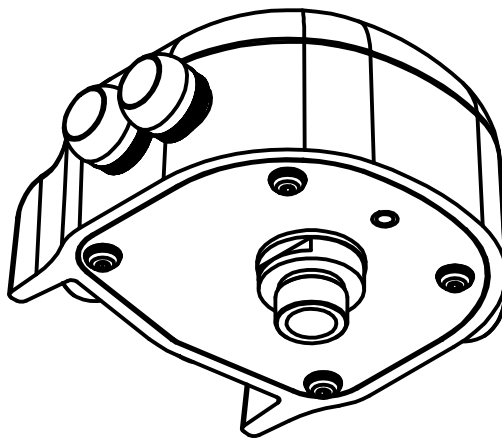


1

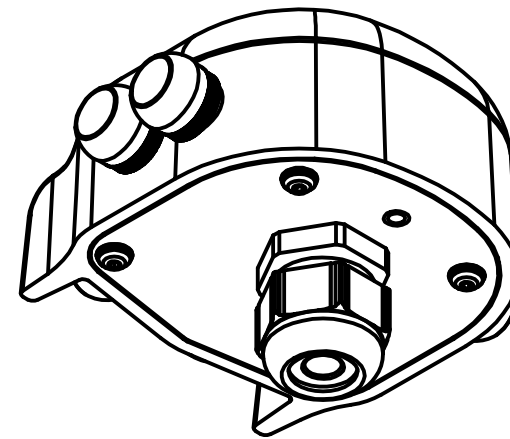
B



EG-930-RB 3/8 internal Mounting Thread Base Plate Option
64-940502-01



EG-930-RB Joystick Base Plate Option
64-940502-02

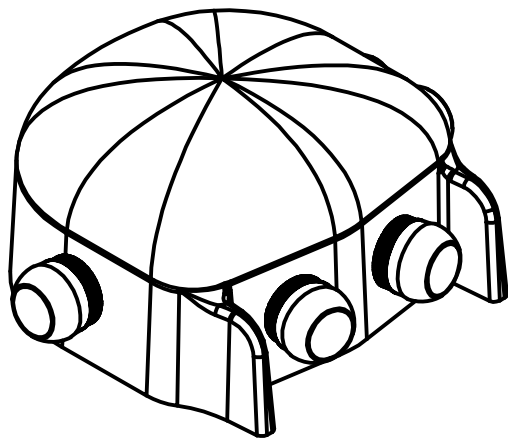


EG-930-RB Strain Relief Base Plate Option
64-060094-01



A

A



2



1

Drawn	derek	3/11/2010	Cyber-Tech, Inc.	
Approved				
Phone:	1.800.621.8754	Title Description		
Phone:	503.620.2285			
Fax:	503.620.8580	Size	DWG NO	REV
Web:	www.cyber-tech.net	A	EG-930-RB Base Plate Options	
e-majl:	engineering@cyber-tech.net	Scale	Material	Sheet
				1 of 1