

JS-500-HD

PRO-SERIES

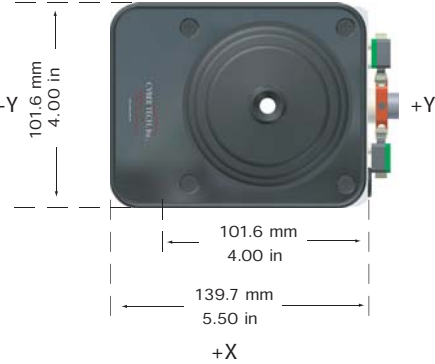
Dual Axis Contact Joystick With 1/2 NPT Adaptor



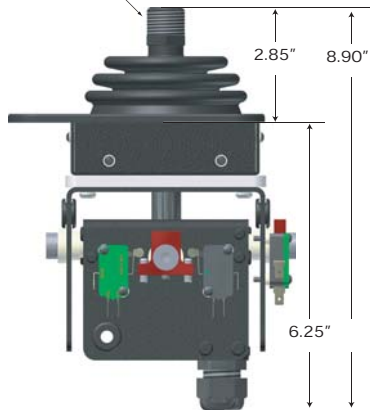
Product shown without cable harness for clarity

GENERAL DIMENSIONS

-X



1/2 NPT



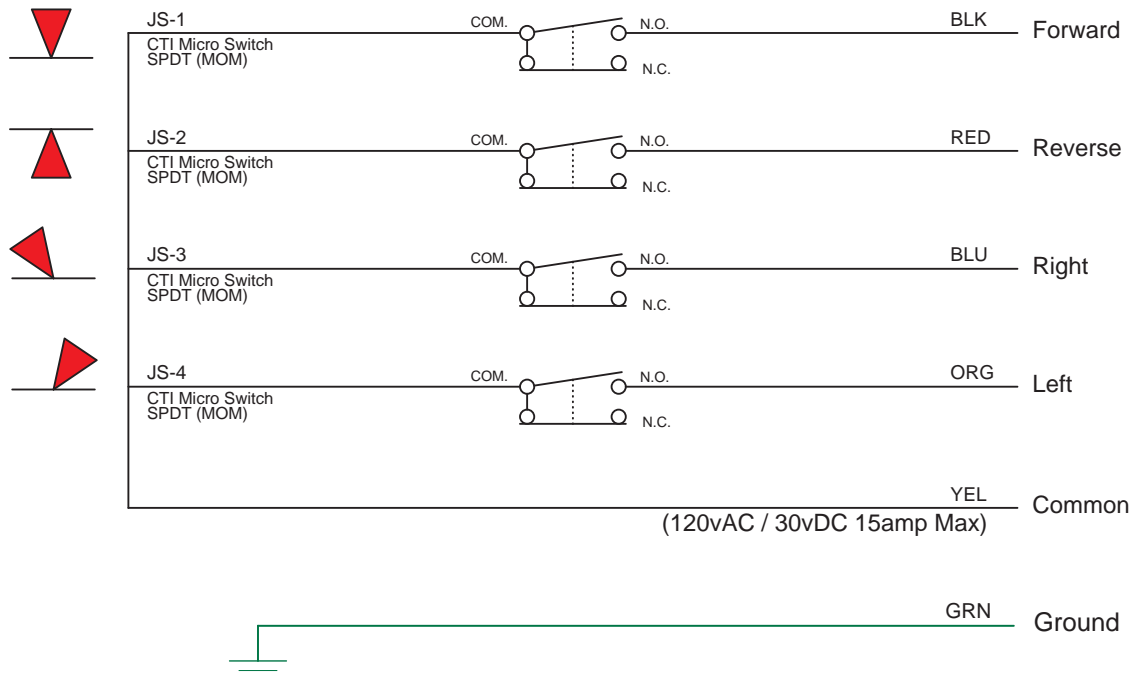
Product shown without switches for clarity

Control Unit Features:

- Contact Rating: 16 Amps@125/250 vAC
- Standard Wiring N.O.
- 16 ± 2 Degrees (On X/Y Axis) From Center
- 10lbs @ Contact (On X/Y Axis)
- 4 Ft Cable Harness
- Std 1/2 NPT Mounting Thread
- Protective Boot Seal
- Heavy Duty Construction

PRO-SERIES JOYSTICK

CTI PART# : CTI-2021454



Spare Replacment Components For Part #CTI-2021454

Cable Harness: **22-C-NQ720-J-4**

Adaptor: **28-040039-01**

Fwd/Rev Switch: **32-S-V3L-G-3003-D8**

Lt/Rt Switch: **32-S-V3L-G-3003-D8**

Protective Boot: **33-BSB-970014-01**

Boot Seal Plate: **65-A02132-03**

Adjustable Cam: **63-970200-03**

Control Stick: **71-933021-01**



JS-500-HD

PRO-SERIES

Dual Axis Contact Joystick With 10K Potentiometers + 1/2 NPT Adaptor



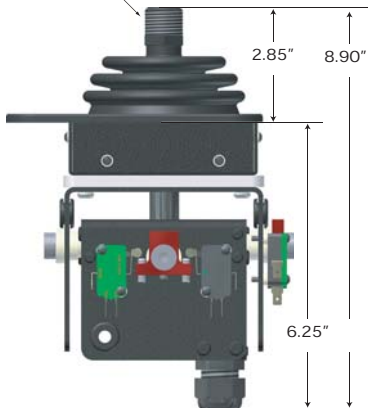
Product shown without cable harness for clarity

GENERAL DIMENSIONS

-X



1/2 NPT



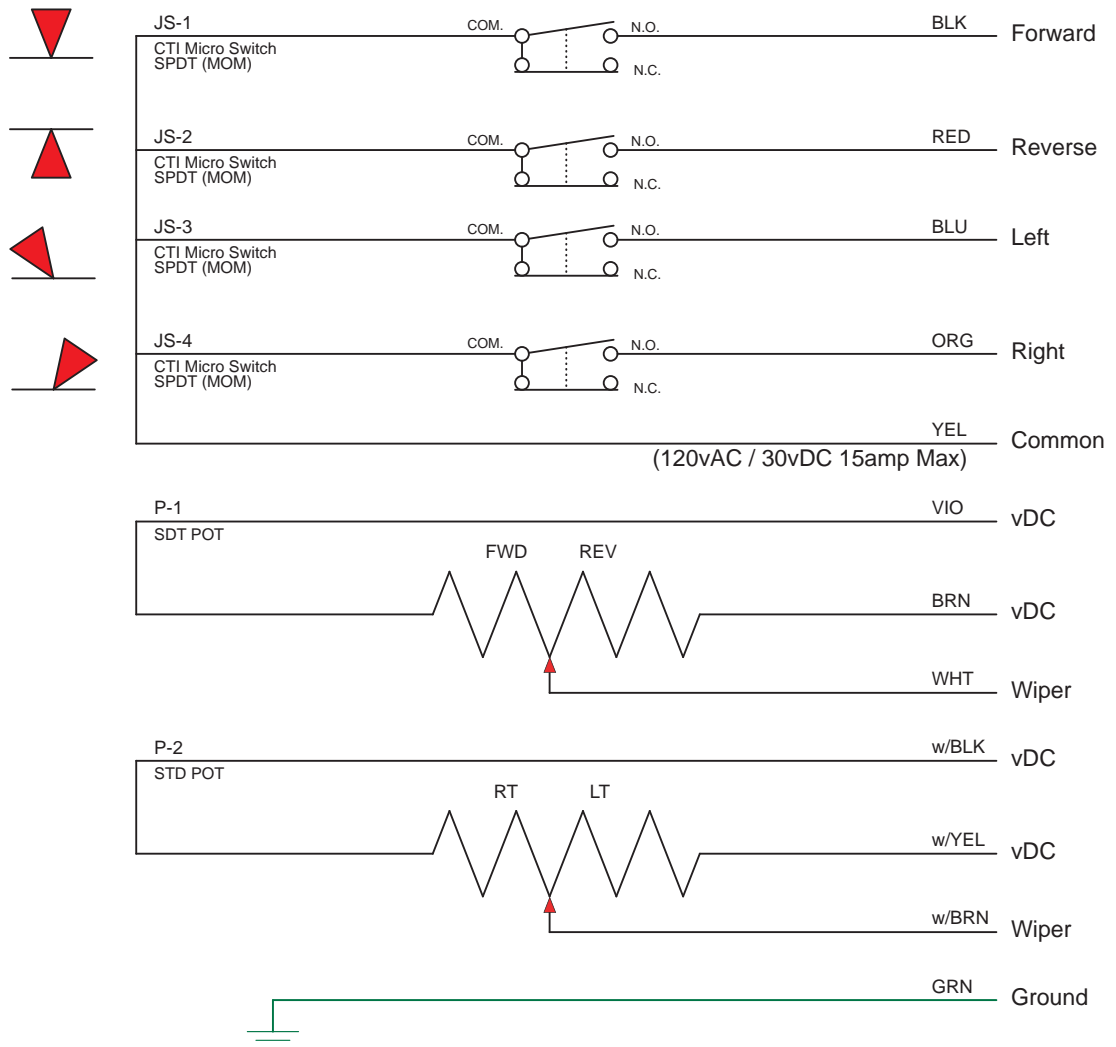
Product shown without switches for clarity

Control Unit Features:

- Contact Rating: 16 Amps@125/250 vAC
- Standard Wiring N.O.
- 16 ± 2 Degrees (On X/Y Axis) From Center
- 10lbs @ Contact (On X/Y Axis)
- 10K, 3 Watt Potentiometers
- Std 1/2 NPT Mounting Thread
- 4 Ft Cable Harness
- Protective Boot Seal
- Heavy Duty Construction

PRO-SERIES JOYSTICK

CTI PART#: CTI-2021457



Spare Replacment Components For Part #

CTI-2021457

Cable Harness: 22-C-NQ1520-J-4

Protective Boot: 33-BSB-970014-01 Control Stick: 71-933020-01

Adaptor: 28-040039-01

Boot Seal Plate: 65-A02132-03

Fwd/Rev Switch: 32-S-V3L-G-3003-D8 Adjustable Cam: 63-970200-03

Lt/Rt Switch: 32-S-V3L-G-3003-D8

10K Potentiometer: 46-P-53C3-10K



JS-500-HD

PRO-SERIES

Dual Axis Contact Joystick With 5K Potentiometers + 1/2 NPT Adaptor



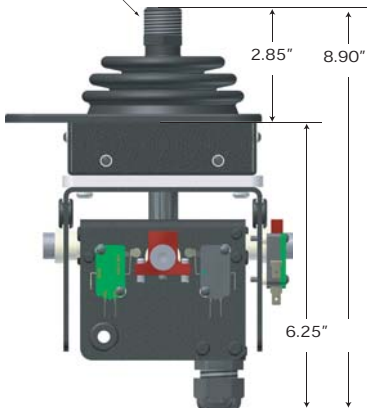
Product shown without cable harness for clarity

GENERAL DIMENSIONS

-X



1/2 NPT



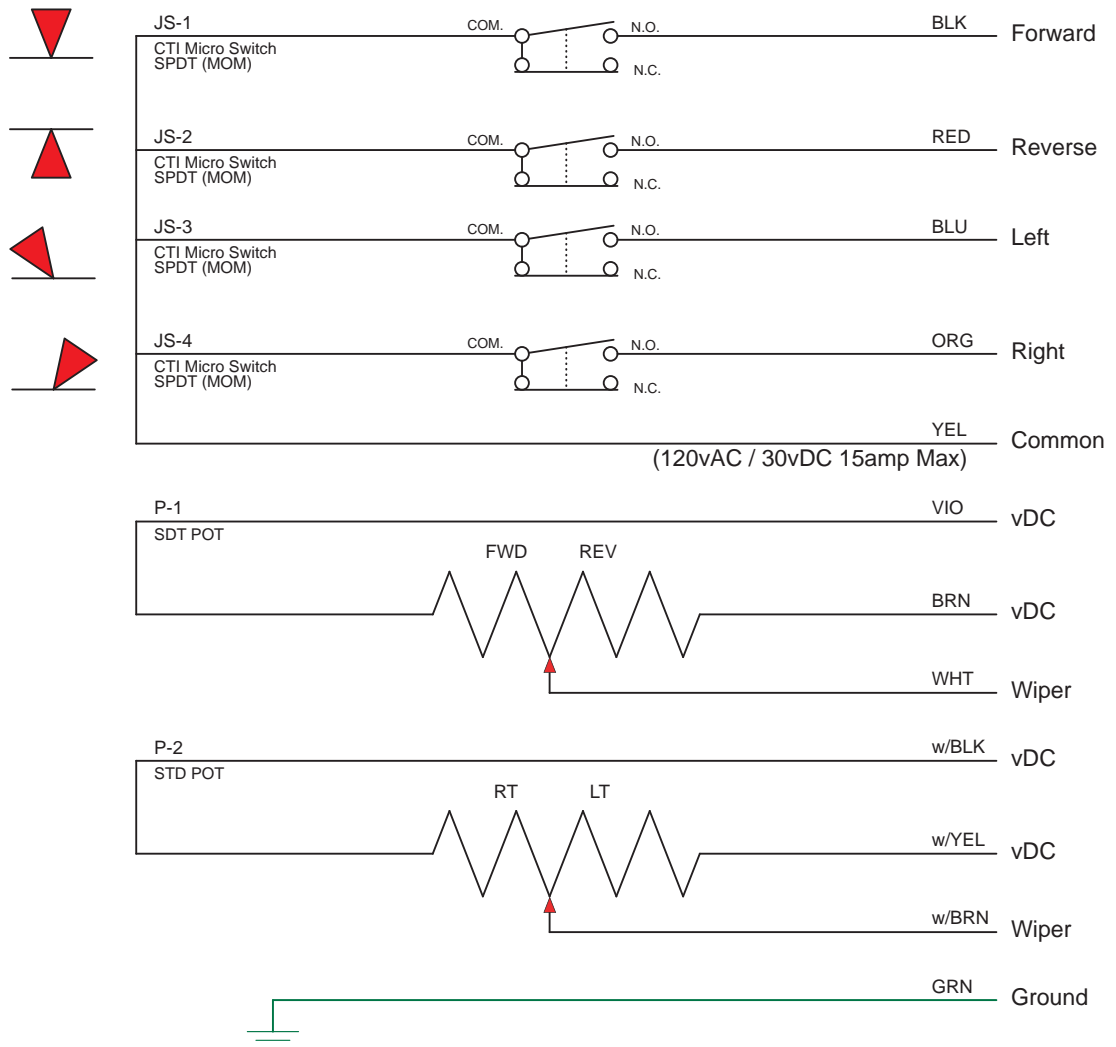
Product shown without switches for clarity

Control Unit Features:

- Contact Rating: 16 Amps@125/250 vAC
- Standard Wiring N.O.
- 16 ± 2 Degrees (On X/Y Axis) From Center
- 10lbs @ Contact (On X/Y Axis)
- 5K, 3 Watt Potentiometers
- Std 1/2 NPT Mounting Thread
- 4 Ft Cable Harness
- Protective Boot Seal
- Heavy Duty Construction

PRO-SERIES JOYSTICK

CTI PART#: CTI-2021456



Spare Replacment Components For Part #

CTI-2021456

Cable Harness: 22-C-NQ1520-J-4

Protective Boot: 33-BSB-970014-01

Control Stick: 71-933020-01

Adaptor: 28-040039-01

Boot Seal Plate: 65-A02132-03

Fwd/Rev Switch: 32-S-V3L-G-3003-D8

Adjustable Cam: 63-970200-03

Lt/Rt Switch: 32-S-V3L-G-3003-D8

5K Potentiometer: 46-P-53C3-5K



JS-500-HD

PRO-SERIES

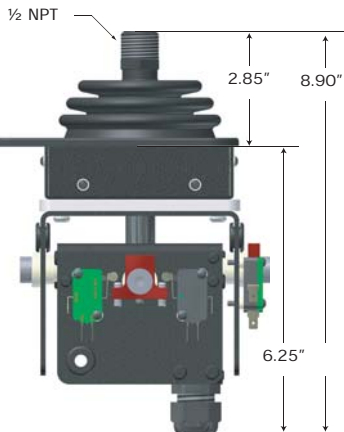
Dual Axis Contact Joystick With Proportional Controller Cards + 1/2 NPT Adaptor



Product shown without cable harness for clarity

GENERAL DIMENSIONS

-X



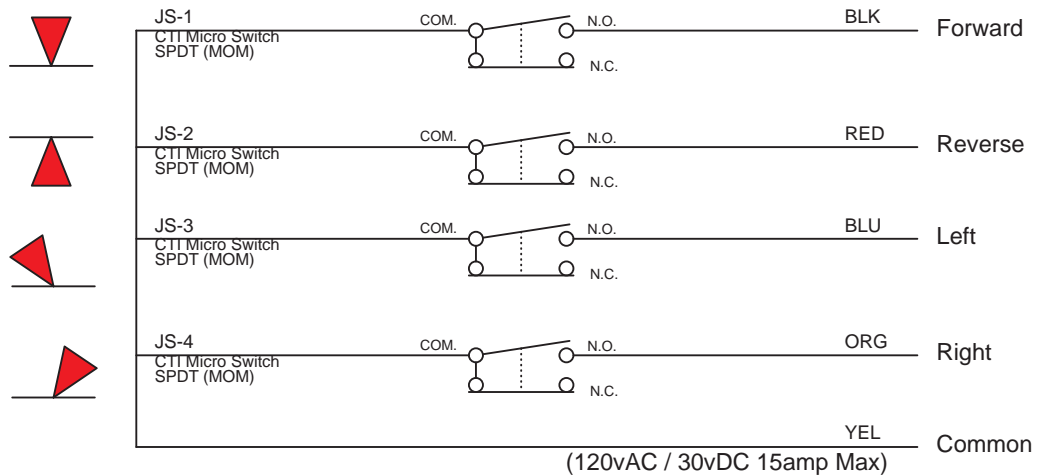
Product shown without switches for clarity

Control Unit Features:

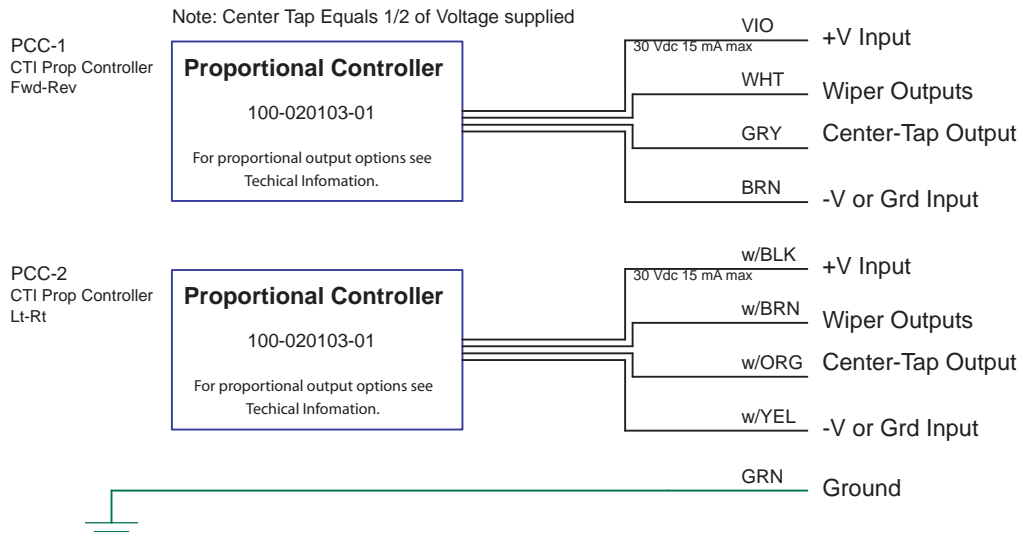
- Contact Rating: 16 Amps@125/250 vAC
- Standard Wiring N.O.
- 16 ± 2 Degrees (On X/Y Axis) From Center
- 10lbs @ Contact (On X/Y Axis)
- Proportional Controller Cards
- Std 1/2 NPT Mounting Thread
- 4 Ft Cable Harness
- Protective Boot Seal
- Heavy Duty Construction

PRO-SERIES JOYSTICK

CTI PART#: CTI-2021458



(120vAC / 30vDC 15amp Max)



Spare Replacment Components For Part

CTI-2021458

Cable Harness: 22-C-NQ1520-J-4

Protective Boot: 33-BSB-970014-01 Control Stick: 71-933020-01

Adaptor: 28-040039-01

Boot Seal Plate: 65-A02132-03

Fwd/Rev Switch: 32-S-V3L-G-3003-D8

Adjustable Cam: 63-970200-03

Lt/Rt Switch: 32-S-V3L-G-3003-D8

Controller Card: 100-020103-01

JS-500-HD

PRO-SERIES

Dual Axis Contact Joystick With Single 10K Potentiometer + 1/2 NPT Adaptor



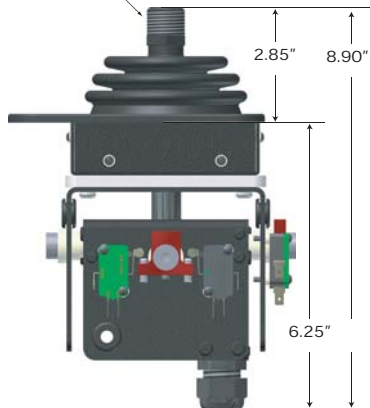
Product shown without cable harness for clarity

GENERAL DIMENSIONS

-X



1/2 NPT



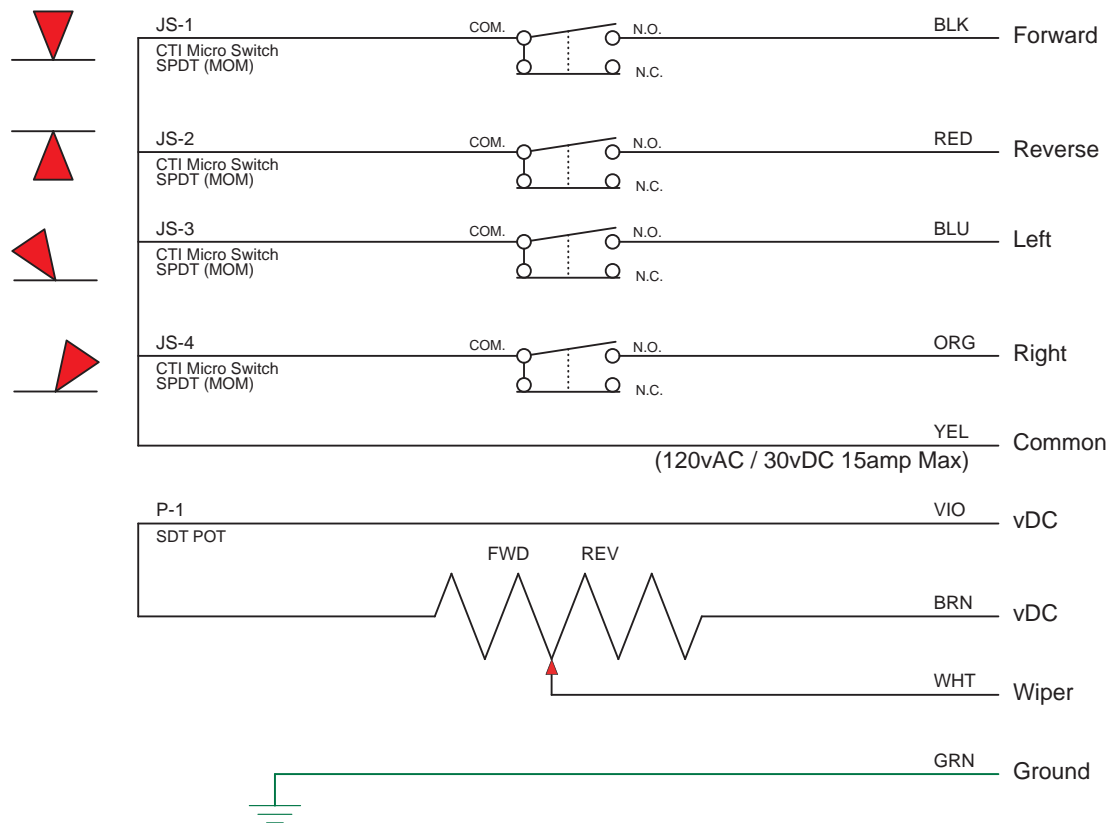
Product shown without switches for clarity

Control Unit Features:

- Contact Rating: 16 Amps@125/250 vAC
- Standard Wiring N.O.
- 16 ± 2 Degrees (On X/Y Axis) From Center
- 10lbs @ Contact (On X/Y Axis)
- 10K, 3 Watt Potentiometer
- Std 1/2 NPT Mounting Thread
- 4 Ft Cable Harness
- Protective Boot Seal
- Heavy Duty Construction

PRO-SERIES JOYSTICK

CTI PART# : CTI-2021460



Spare Replacment Components For Part

CTI-2021460

Cable Harness: 22-C-NQ1520-J-4

Protective Boot: 33-BSB-970014-01

Control Stick: 71-933020-01

Adaptor: 28-040039-01

Boot Seal Plate: 65-A02132-03

Fwd/Rev Switch: 32-S-V3L-G-3003-D8

Adjustable Cam: 63-970200-03

Lt/Rt Switch: 32-S-V3L-G-3003-D8

10K Potentiometer: 46-P-53C3-10K



JS-500-HD

PRO-SERIES

Dual Axis Contact Joystick With Single 5K Potentiometer + 1/2 NPT Adaptor



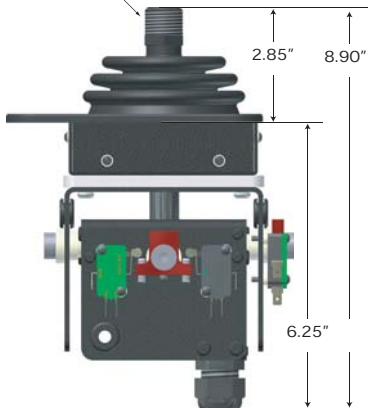
Product shown without cable harness for clarity

GENERAL DIMENSIONS

-X



1/2 NPT



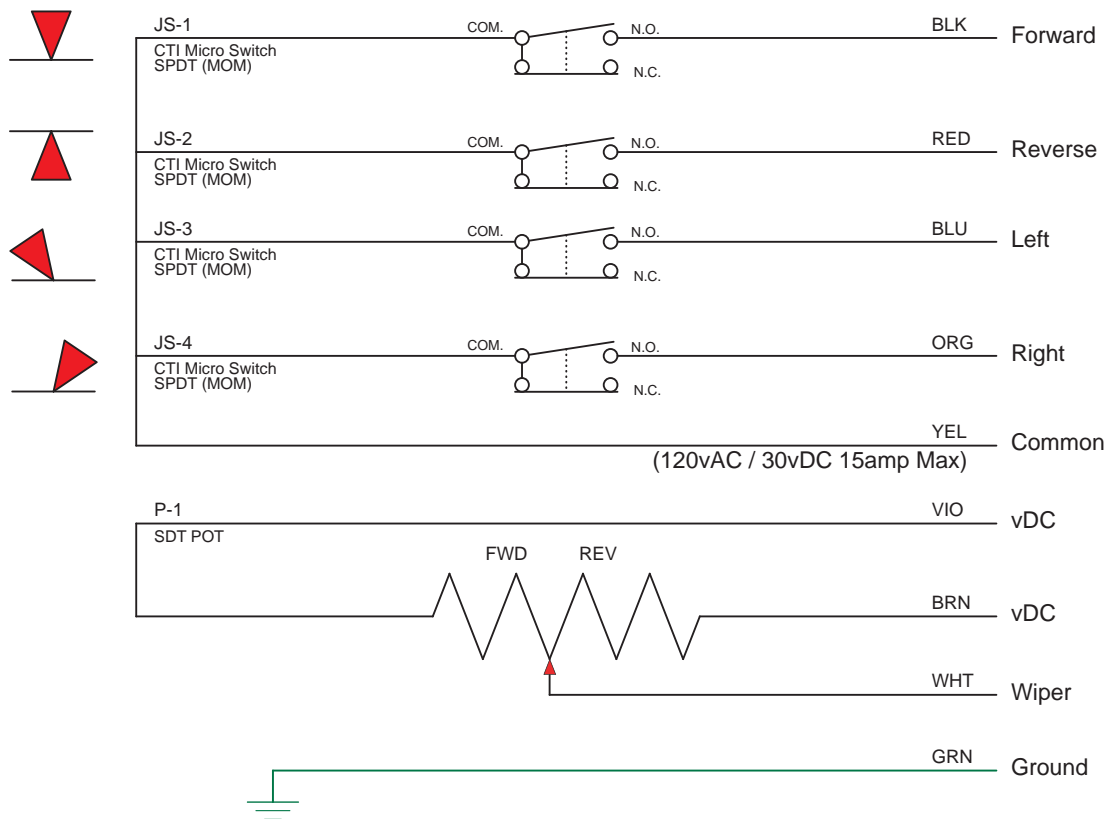
Product shown without switches for clarity

Control Unit Features:

- Contact Rating: 16 Amps@125/250 vAC
- Standard Wiring N.O.
- 16 ± 2 Degrees (On X/Y Axis) From Center
- 10lbs @ Contact (On X/Y Axis)
- 5K, 3 Watt Potentiometer
- Std 1/2 NPT Mounting Thread
- 4 Ft Cable Harness
- Protective Boot Seal
- Heavy Duty Construction

PRO-SERIES JOYSTICK

CTI PART#: CTI-2021459



Spare Replacement Components For Part

CTI-2021459

Cable Harness: 22-C-NQ1520-J-4

Protective Boot: 33-BSB-970014-01 Control Stick: 71-933020-01

Adaptor: 28-040039-01

Boot Seal Plate: 65-A02132-03

Fwd/Rev Switch: 32-S-V3L-G-3003-D8 Adjustable Cam: 63-970200-03

Lt/Rt Switch: 32-S-V3L-G-3003-D8

5K Potentiometer: 46-P-53C3-5K

JS-500-HD

PRO-SERIES

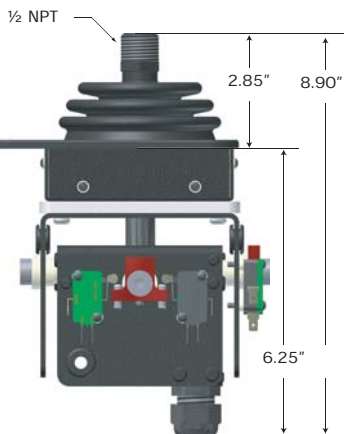
Dual Axis Contact Joystick With Single Porportional Controller Card + 1/2 NPT Adaptor



Product shown without cable harness for clarity

GENERAL DIMENSIONS

-X



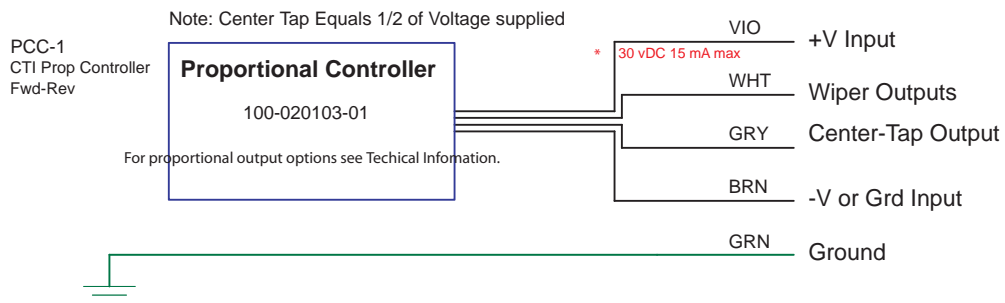
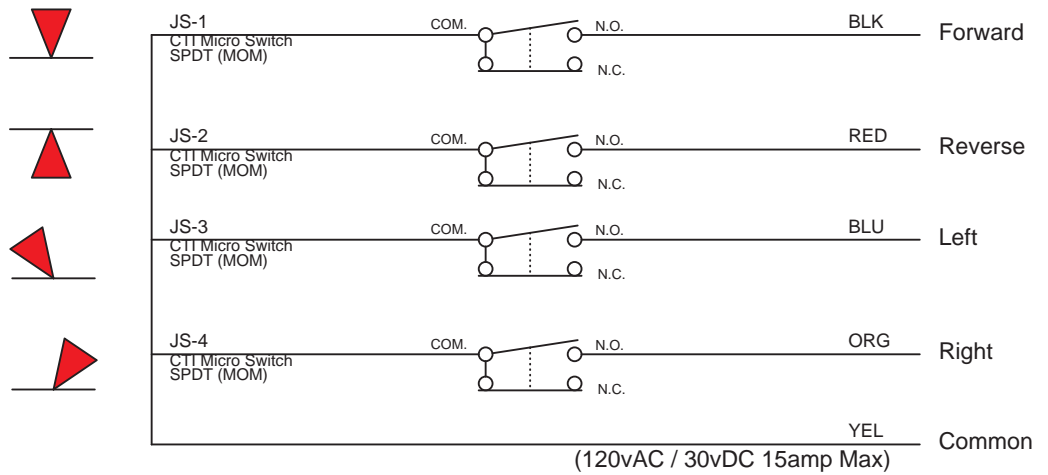
Product shown without switches for clarity

Control Unit Features:

- Contact Rating: 16 Amps@125/250 vAC
- Standard Wiring N.O.
- 16 ± 2 Degrees (On X/Y Axes) From Center
- 10lbs @ Contact (On X/Y Axes)
- Proportional Controller Card
- Std 1/2 NPT Mounting Thread
- 4 Ft Cable Harness
- Protective Boot Seal
- Heavy Duty Construction

PRO-SERIES JOYSTICK

CTI PART#: CTI-2021461



Spare Replacment Components For Part

CTI-2021461

Cable Harness: 22-C-NQ1520-J-4

Protective Boot: 33-BSB-970014-01 Control Stick: 71-933020-01

Adaptor: 28-040039-01

Boot Seal Plate: 65-A02132-03

Fwd/Rev Switch: 32-S-V3L-G-3003-D8 Adjustable Cam: 63-970200-03

Lt/Rt Switch: 32-S-V3L-G-3003-D8

Controller Card: 100-020103-01



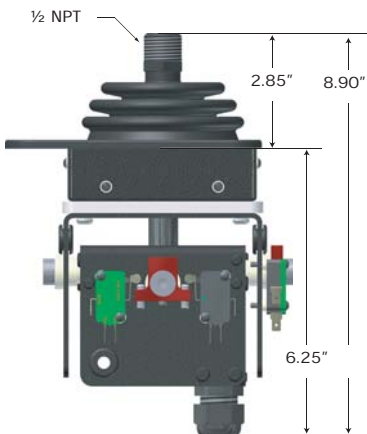
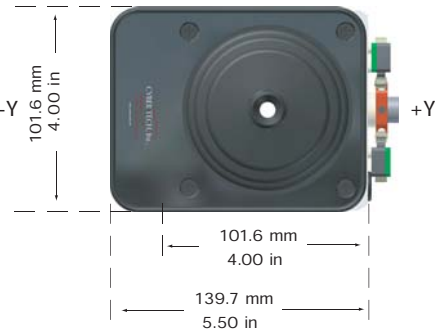
JS-500-HDS PRO-SERIES

Single Axis Contact Joystick With 1/2 NPT Adaptor



Product shown without cable harness for clarity

GENERAL DIMENSIONS



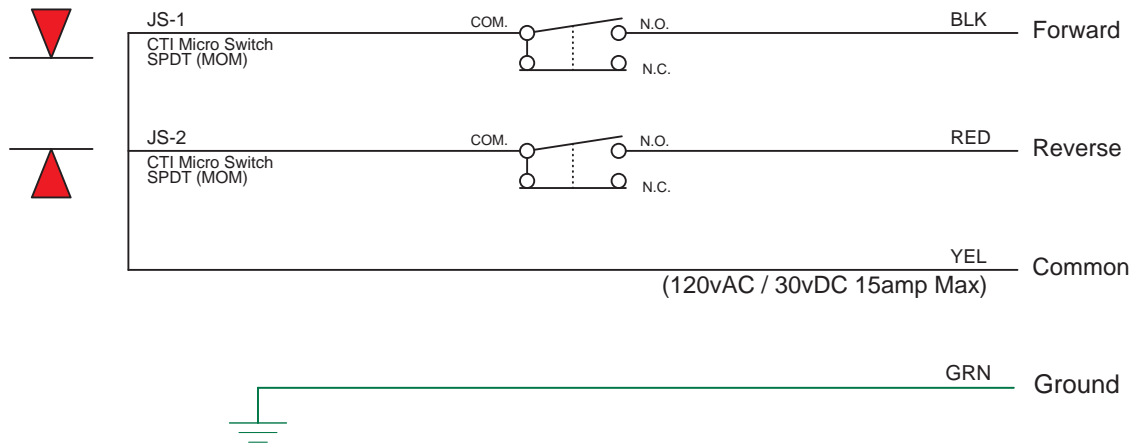
Product shown without switches for clarity

Control Unit Features:

- Contact Rating: 16 Amps@125/250 vAC
- Standard Wiring N.O.
- 16 ± 2 Degrees From Center
- 10lbs @ Contact (On Y Axes)
- 4 Ft Cable Harness
- Std 1/2 NPT Mounting Thread
- Protective Boot Seal
- Heavy Duty Construction

PRO-SERIES JOYSTICK

CTI PART# : CTI-2021455



Spare Replacment Components For Part #CTI-2021455

- Cable Harness: **22-C-NQ720-J-4**
- Adaptor: **28-040039-01**
- Fwd/Rev Switch: **32-S-V3L-G-3003-D8**
- Protective Boot: **33-BSB-970014-01**
- Boot Seal Plate: **65-A02132-03**
- Adjustable Cam: **63-970200-03**
- Control Stick: **71-933021-01**

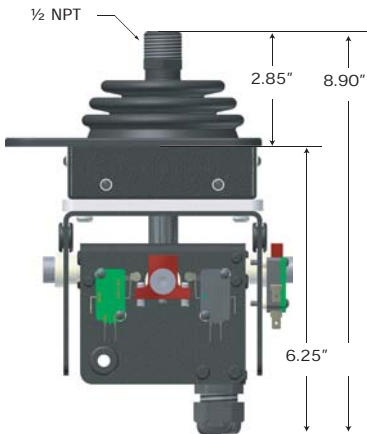
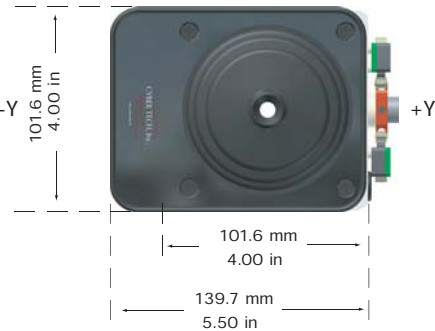
JS-500-HDS PRO-SERIES

Single Axis Contact Joystick With Single 10K Potentiometer + 1/2 NPT Adaptor



Product shown without cable harness for clarity

GENERAL DIMENSIONS



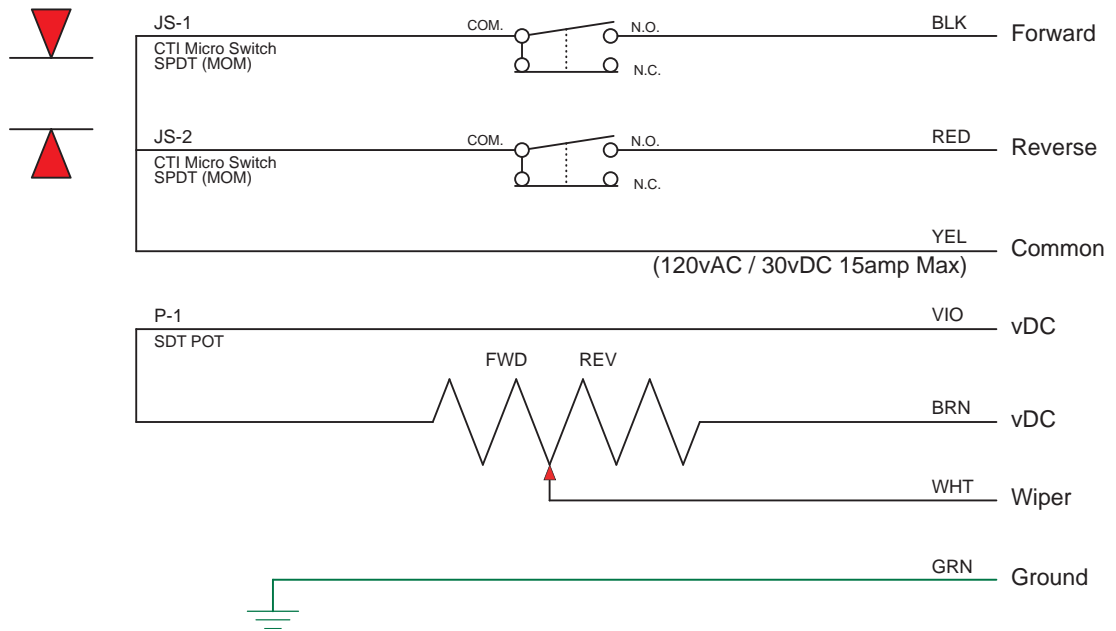
Product shown without switches for clarity

Control Unit Features:

- Contact Rating: 16 Amps@125/250 vAC
- Standard Wiring N.O.
- 16 ± 2 Degrees (On X/Y Axis) From Center
- 10lbs @ Contact (On X/Y Axis)
- 10K, 3 Watt Potentiometer
- Std 1/2 NPT Mounting Thread
- 4 Ft Cable Harness
- Protective Boot Seal
- Heavy Duty Construction

PRO-SERIES JOYSTICK

CTI PART# : CTI-2021463



Spare Replacement Components For Part #CTI-2021463

- Cable Harness: **22-C-NQ1520-J-4**
- Adaptor: **28-040039-01**
- Fwd/Rev Switch: **32-S-V3L-G-3003-D8**
- Control Stick: **71-933020-01**
- Protective Boot: **33-BSB-970014-01**
- Boot Seal Plate: **65-A02132-03**
- Adjustable Cam: **63-970200-03**
- 10K Potentiometer: **46-P-53C3-10K**

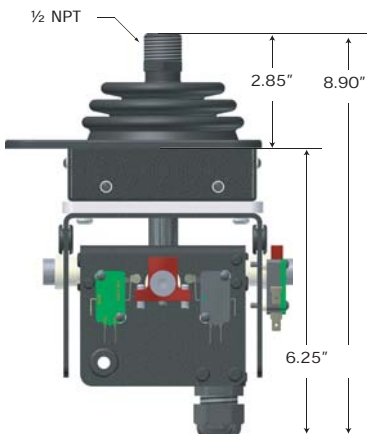
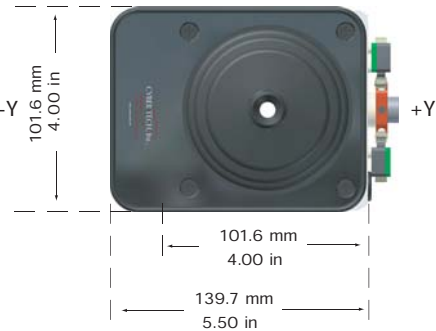
JS-500-HDS PRO-SERIES

Single Axis Contact Joystick With 5K Potentiometer + 1/2 NPT Adaptor



Product shown without cable harness for clarity

GENERAL DIMENSIONS



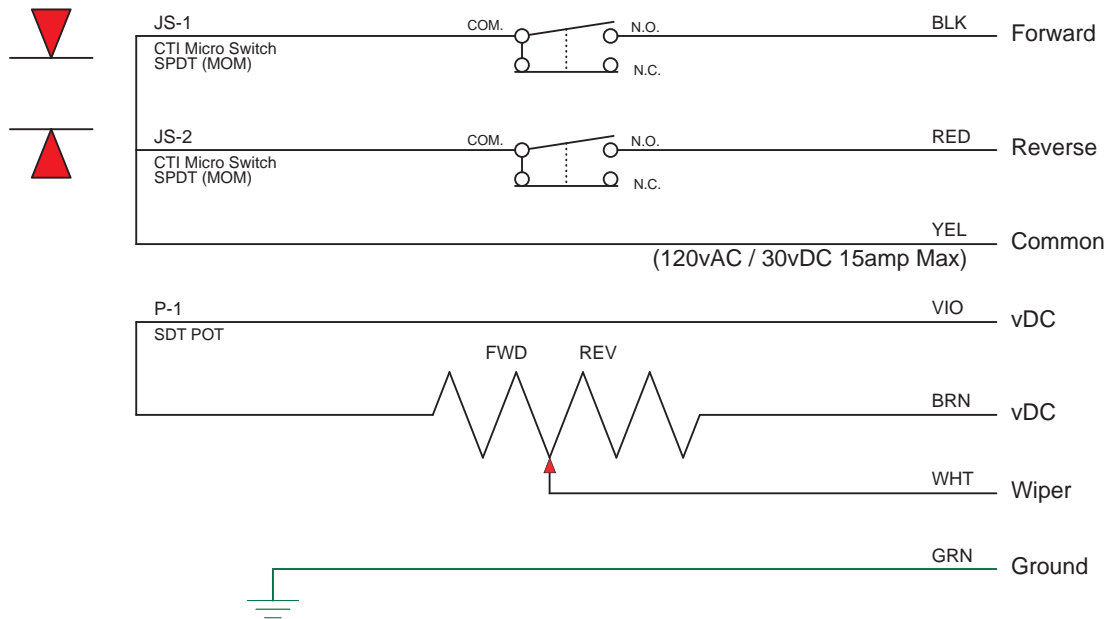
Product shown without switches for clarity

Control Unit Features:

- Contact Rating: 16 Amps@125/250 vAC
- Std 1/2 NPT Mounting Thread
- Standard Wiring N.O.
- 4 Ft Cable Harness
- 16 ± -2 Degrees (On X/Y Axes) From Center
- Protective Boot Seal
- 10lbs @ Contact (On X/Y Axes)
- Heavy Duty Construction
- 5K, 3 Watt Potentiometer

PRO-SERIES JOYSTICK

CTI PART# : CTI-2021462



Spare Replacment Components For Part # **CTI-2021462**

- | | |
|---|--|
| Cable Harness: 22-C-NQ1520-J-4 | Protective Boot: 33-BSB-970014-01 |
| Adaptor: 28-040039-01 | Boot Seal Plate: 65-A02132-03 |
| Fwd/Rev Switch: 32-S-V3L-G-3003-D8 | Adjustable Cam: 63-970200-03 |
| Control Stick: 71-933020-01 | 5K Potentiometer: 46-P-53C3-5K |

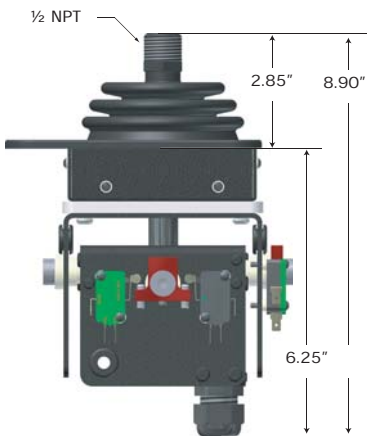
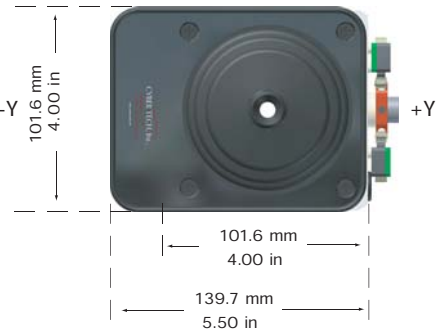
JS-500-HDS PRO-SERIES

Single Axis Contact Joystick With Single Porportional Controller Card + 1/2 NPT Adaptor



Product shown without cable harness for clarity

GENERAL DIMENSIONS



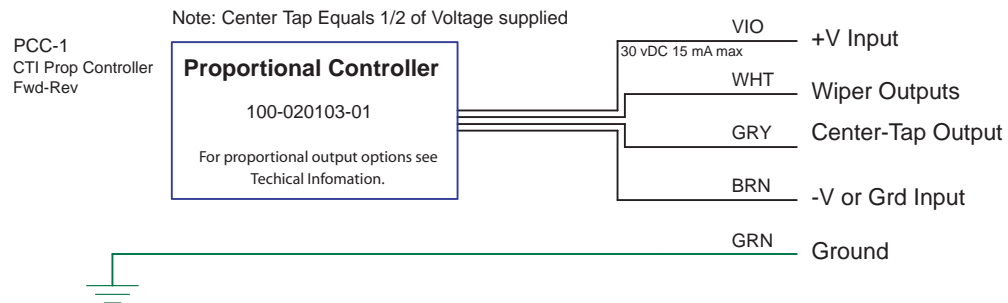
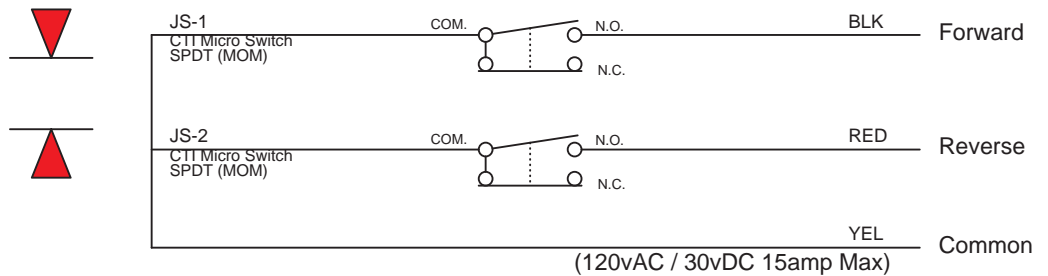
Product shown without switches for clarity

Control Unit Features:

- Contact Rating: 16 Amps@125/250 vAC
- Standard Wiring N.O.
- 16 ± 2 Degrees (On X/Y Axis) From Center
- 10lbs @ Contact (On X/Y Axis)
- Proportional Controller Card
- Std 1/2 NPT Mounting Thread
- 4 Ft Cable Harness
- Protective Boot Seal
- Heavy Duty Construction

PRO-SERIES JOYSTICK

CTI PART# : CTI-2021464



Spare Replacment Components For Part #CTI-2021464

- Cable Harness: **22-C-NQ1520-J-4**
- Adaptor: **28-040039-01**
- Fwd/Rev Switch: **32-S-V3L-G-3003-D8**
- Control Stick: **71-933020-01**
- Protective Boot: **33-BSB-970014-01**
- Boot Seal Plate: **65-A02132-03**
- Adjustable Cam: **63-970200-03**
- Controller Card: **100-020103-01**