

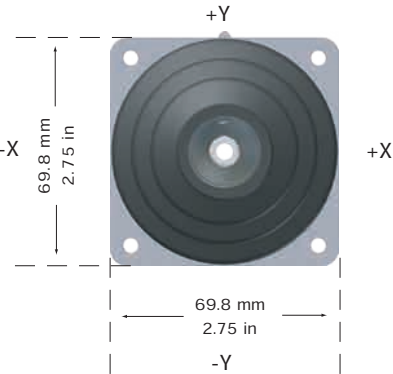
JS-SERIES

Dual Axis Hall Effect Joystick With 1/2 NPT Adaptor



Product shown without cable harness for clarity

GENERAL DIMENSIONS

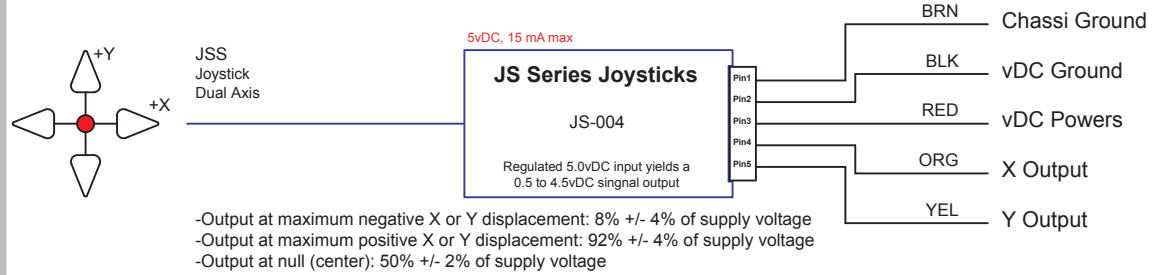


Product shown without switches for clarity

Control Unit Features:

- Non-contact, Hall sensors
- Rugged design - die cast metal frame
- Compact footprint/profile
- Long life - lab tested to 15 million cycles
- 4 Ft Cable Harness
- Linear output over entire handle displacement with no hysteresis
- EMI/RFI protected
- Stable null
- Low power consumption
- Low parts count

CTI PART# : CTI-2021446



JS-004

Spare Replacment Components For Part # **CTI-2021446**

Cable Harness: **76-CA-JSS-00-4**

Adaptor: **62-050011-01**



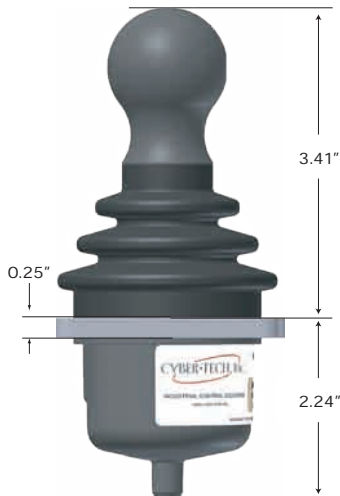
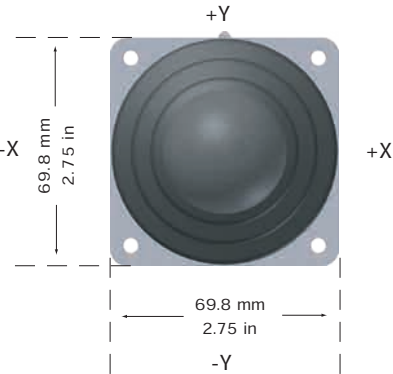
JS-SERIES

Dual Axis Hall Effect Joystick With Ball Knob



Product shown without cable harness for clarity

GENERAL DIMENSIONS

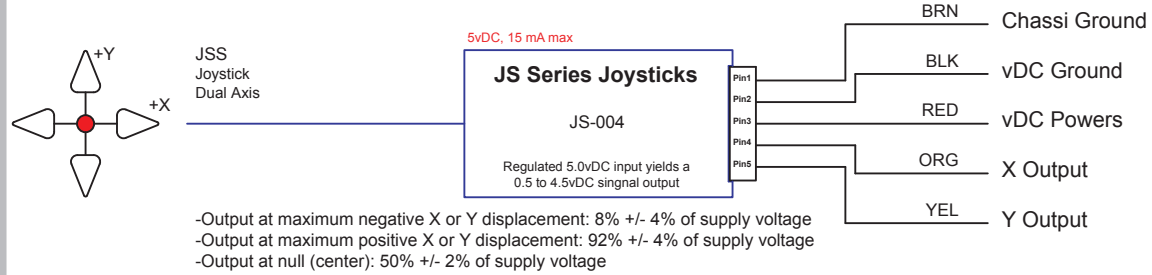


Product shown without switches for clarity

Control Unit Features:

- Non-contact, Hall sensors
- Rugged design - die cast metal frame
- Compact footprint/profile
- Long life - lab tested to 15 million cycles
- 4 Ft Cable Harness
- Linear output over entire handle displacement with no hysteresis
- EMI/RFI protected
- Stable null
- Low power consumption
- Low parts count

CTI PART# : CTI-2021447



JS-004

Spare Replacment Components For Part # **CTI-2021447**

Cable Harness: **76-CA-JSS-00-4**



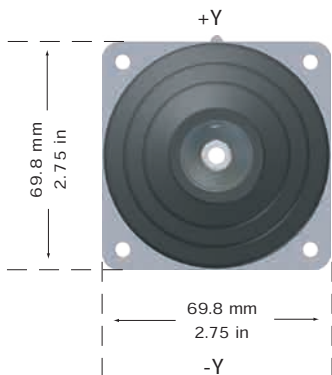
JS-SERIES

Single Axis Hall Effect Joystick With 1/2 NPT Adaptor



Product shown without cable harness for clarity

GENERAL DIMENSIONS



Product shown without switches for clarity

Control Unit Features:

- Non-contact, Hall sensors
- Rugged design - die cast metal frame
- Compact footprint/profile
- Long life - lab tested to 15 million cycles
- 4 Ft Cable Harness
- Linear output over entire handle displacement with no hysteresis
- EMI/RFI protected
- Stable null
- Low power consumption
- Low parts count

CTI PART# : CTI-2021448



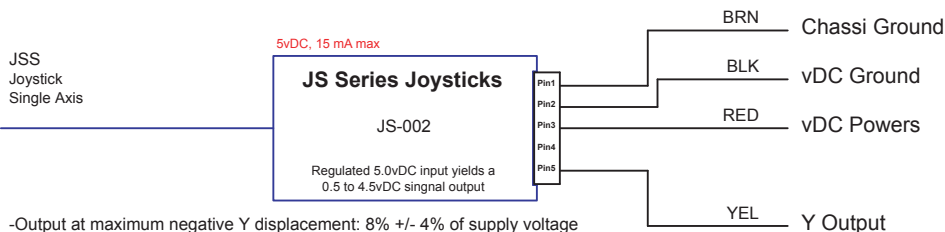
JSS
Joystick
Single Axis

5VDC, 15 mA max

JS Series Joysticks

JS-002

Regulated 5.0VDC input yields a
0.5 to 4.5VDC signal output



- Output at maximum negative Y displacement: 8% +/- 4% of supply voltage
- Output at maximum positive Y displacement: 92% +/- 4% of supply voltage
- Output at null (center): 50% +/- 2% of supply voltage

JS-002

Spare Replacment Components For Part # **CTI-2021448**

Cable Harness: **76-CA-JSS-00-4**

Adaptor: **62-050011-01**



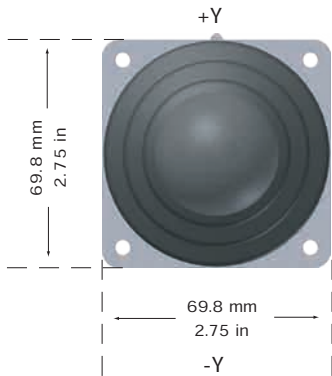
JS-SERIES

Single Axis Hall Effect Joystick With Ball Knob



Product shown without cable harness for clarity

GENERAL DIMENSIONS

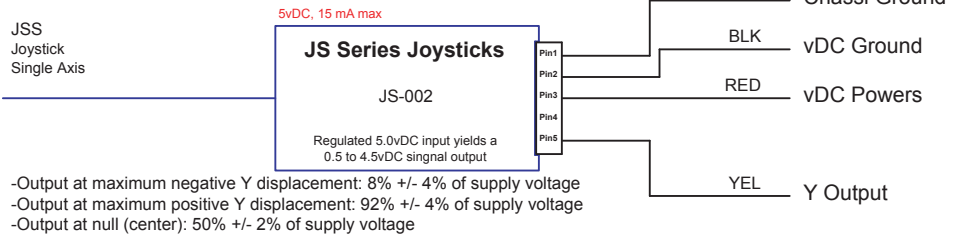


Product shown without switches for clarity

Control Unit Features:

- Non-contact, Hall sensors
- Rugged design - die cast metal frame
- Compact footprint/profile
- Long life - lab tested to 15 million cycles
- 4 Ft Cable Harness
- Linear output over entire handle displacement with no hysteresis
- EMI/RFI protected
- Stable null
- Low power consumption
- Low parts count

CTI PART# : CTI-2021449



JS-002

Spare Replacment Components For Part # **CTI-2021449**

Cable Harness: **76-CA-JSS-00-4**

